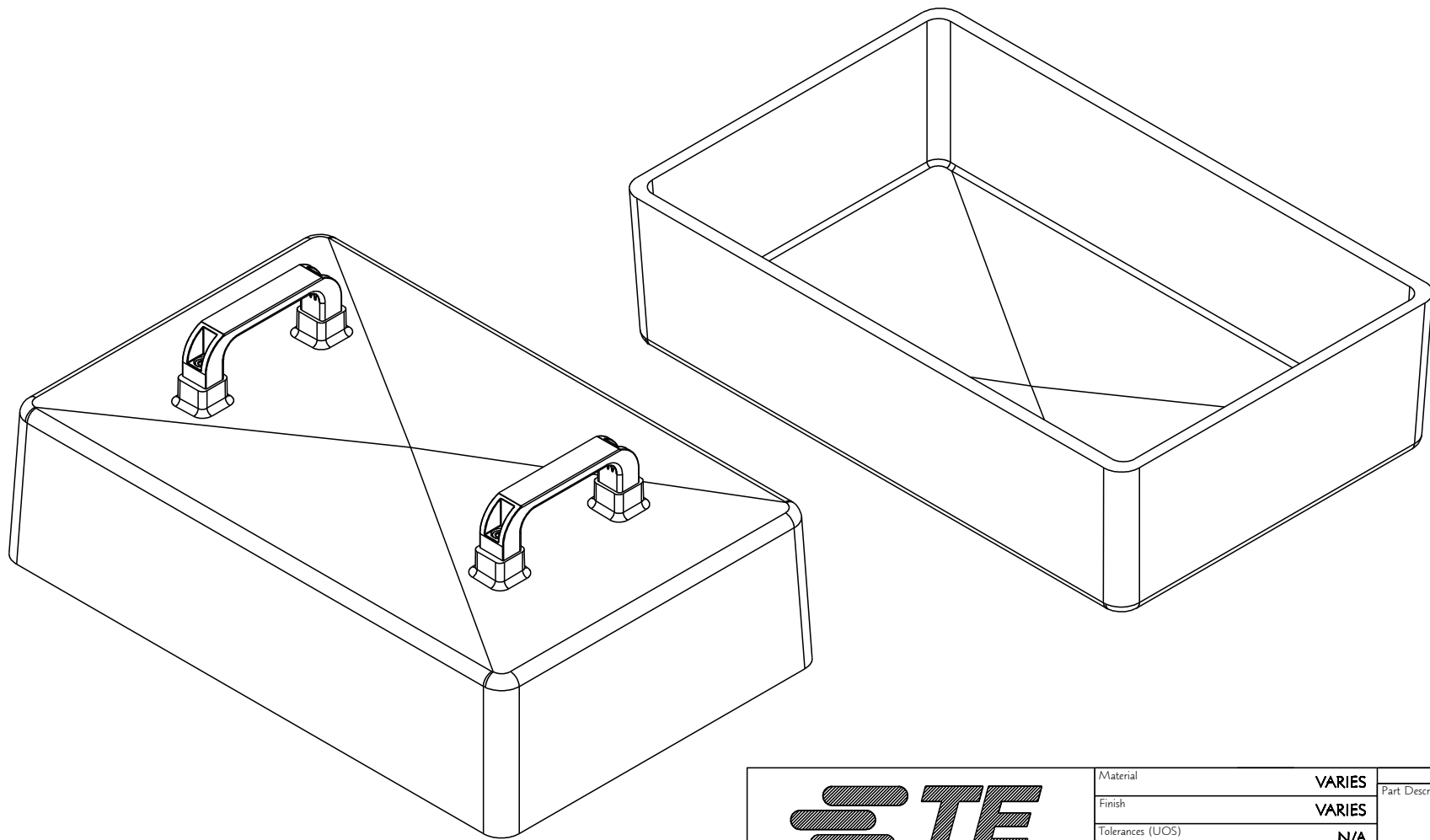
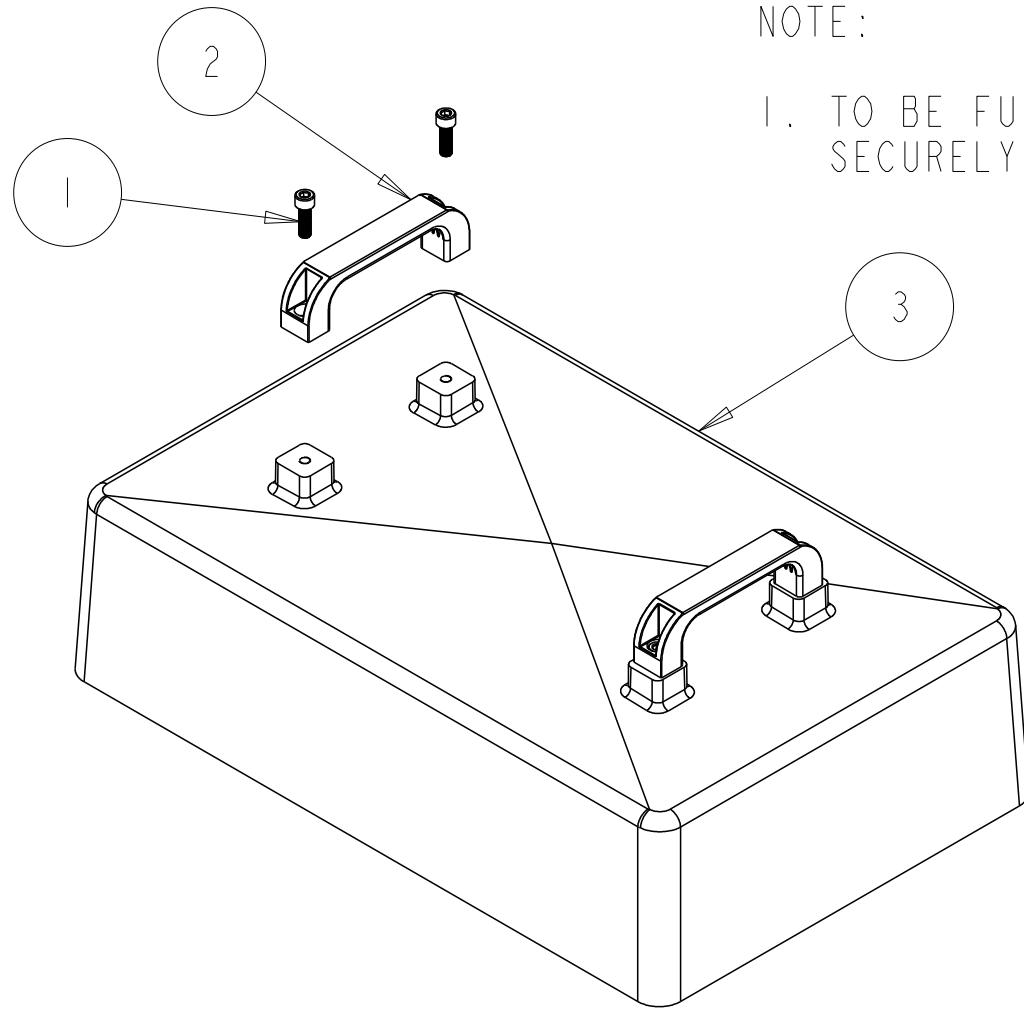
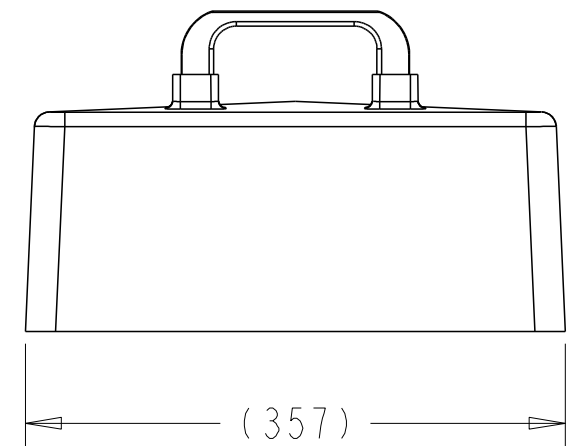
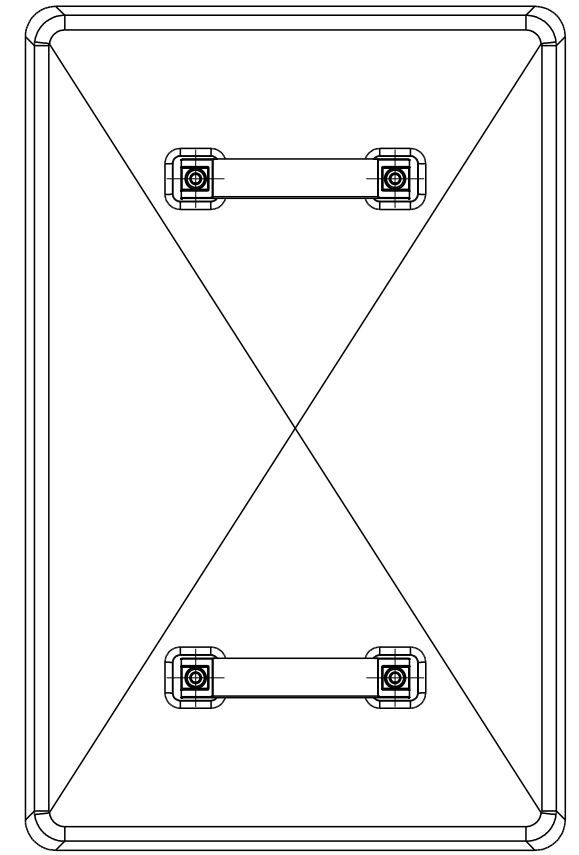
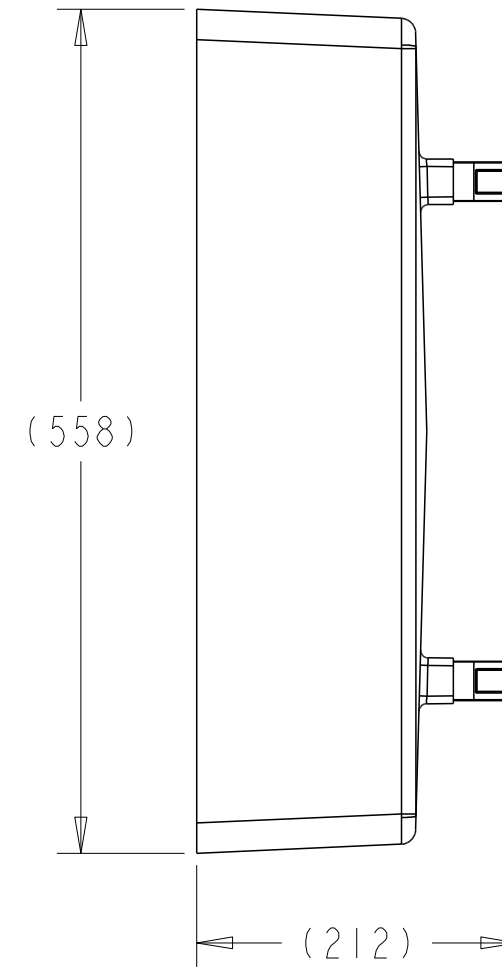


NOTE:

1. TO BE FULLY ASSEMBLED WITH HANDLE SECURELY FASTENED TO DIVING BELL.



ITEM	PART/DRG NO	QTY	DESCRIPTION
1	01-703-0050	4	M8 x 25 LONG SOCKET HEAD CAP SCREW - STEEL
2	01-712-0013	2	BRIDGE HANDLE PLAIN BORE - M8 x 132 CRS
3	01-811-0003	1	DIVING BELL LID 4-WAY (MK2 LINK BOX)



Material	VARIABLES
Finish	VARIABLES
Tolerances (UOS)	N/A
B&H Short Desc.	LB2-DBL4W-A

- IF IN DOUBT ASK - DO NOT SCALE -
 Part Description
**4-WAY CAST IRON MK2 LINKBOX
 DIVING BELL ASSEMBLY**

A		FIRST ISSUE		BH-01257	12/02/18
Revision	Description			Name/DMR	Date
Design/Drawn	D M EATON	Date	12-Feb-18	Scale (UOS)	0.200
TCPN	EN2940-000	Part Weight	33 kg	THIRD ANGLE PROJECTION	A3
Drawing/Part No	BAH-028110275	Drawing Type	CUSTOMER	Rev	A