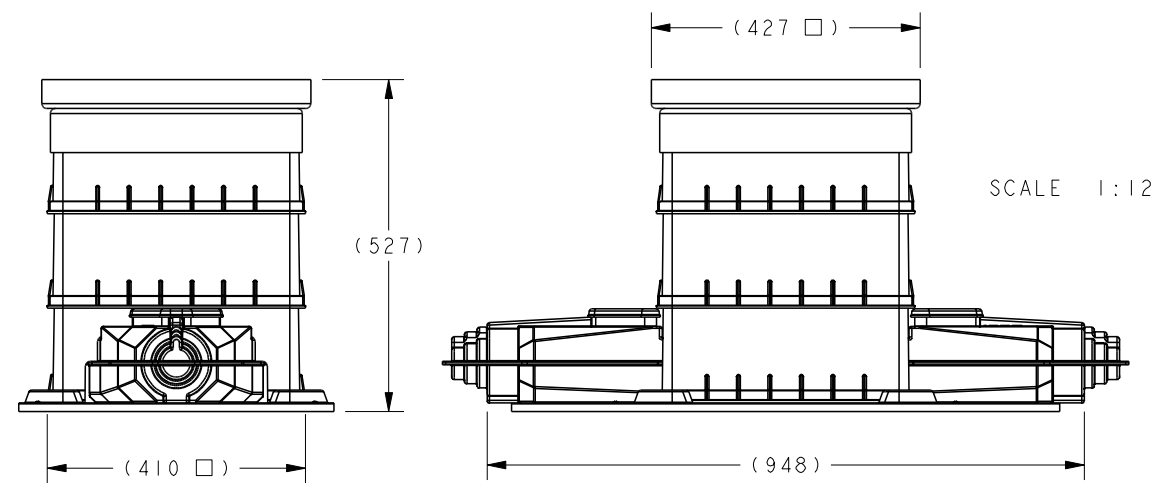
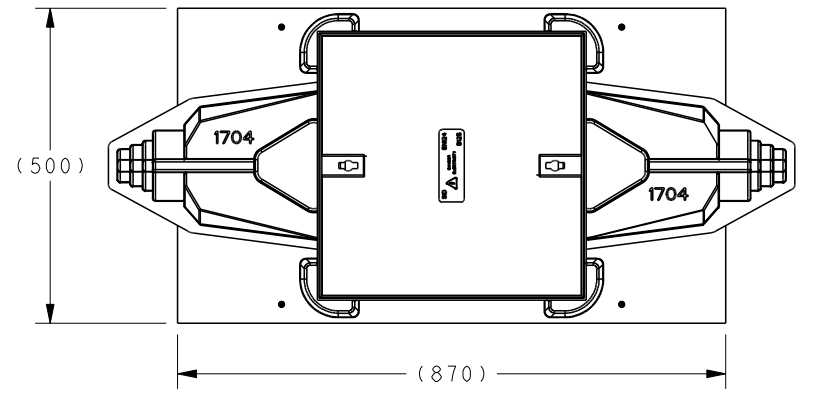


ITEM	PART/DRG NO	QTY	DESCRIPTION
1	01-703-0050	2	M8 x 25 LONG SOCKET HEAD CAP SCREW - STEEL
2	01-712-0013	1	BRIDGE HANDLE PLAIN BORE - M8 x 132 CRS
3	01-803-0016	2	ENGRAVING LABEL - WHITE/BLACK/WHITE - 80x35mm
4	01-807-0371	1	LINK BOX ENCLOSURE COVER 2-WAY (MK2 & MK3 LINKBOX)
5	01-807-0433	1	2-WAY LINK BOX ENCLOSURE SET - MK2 & MK3 LINKBOX (UR3030TMB)
6	01-811-0002	1	DIVING BELL LID 2-WAY (MK2 LINK BOX)
7	01-811-0028	1	CONDUCTOR SETTING JIG (MK2 LINK BOX)
8	01-811-0052	1	TERMINAL COVER WITH NO SCREEN PRINTING (MULTICABLE MK2 & MK3 LINKBOX)
9	01-811-0057	2	UPPER HOUSING CUT-OUT COVER - MULTICABLE (MK2 LINK BOX)
10	BAH-017120073	4	SELF TAPPER SCREW - No 8 x 1/2" FLANGE HEAD PZ #2 ZINC PLATED
11	BAH-018070608	1	RECYCLED LDPE 2-WAY LINKBOX BASE PAD FOR 1704 SHELL : 500mm x 870mm x 12mm THICK
12	BAH-018110104	3	INJECTION MOULDED TERMINAL COVER LID ( MK2 & MK3 LINKBOX )
13	BAH-018110194	2	LABEL - YELLOW / BLACK - 145 x 15 x 0.06mm 'MINIMUM RESIN FILL LEVEL'
14	BAH-018110269	1	2-WAY LINKBOX LOWER ENCLOSURE RING LOCATOR
15	BAH-028110226	1	300mm² 2-WAY 3-CORE & 4-CORE UNTAILED LINKBOX BODY BUILD - NO LINKS
16	BAH-028110231	1	2-WAY 3-CORE & 4-CORE LINK / ACCESSORY INSTALLATION TOOLBOX (SP)

SEE NOTE 1 ↔

SEE NOTE 3 ↔

SEE NOTE 2 ↔



- NOTES :
1. TERMINAL COVER (x1) IS NOT TO BE CLIPPED TO BACK PANEL.
  2. RESIN LEVEL LABELS (X2) ARE TO BE STUCK TO TERMINAL COVERS AS PER LOCAL INSTRUCTION.
  3. LOWER ENCLOSURE RING LOCATOR IS TO BE SCREWED (X4) TO BASE PAD USING LOCATION INDENTS AS GUIDES.



Material	VARIES	Part Description	- IF IN DOUBT ASK - DO NOT SCALE -
Finish	VARIES	300mm² 2-WAY 3-CORE & 4-CORE UNTAILED MK2 LINKBOX - NO LINKS	
Tolerances (UOS)	N/A		
B&H Short Desc.	1704/3C4C/NL		

D	PICTORIAL CHANGES ONLY TO LINKBOX BODY BUILD	BH-01242	14/09/17
C	BAH-018110258 (x1) REMOVED & BAH-018110269 (x1), BAH-017120073 (x4) ADDED	BH-01228	05/07/17
B	BASE PAD BAH-018110258 (x1) ADDED	BH-01222	12/06/17
A	FIRST ISSUE	BH-01119	07/10/15
Revision	Description	Name/DMR	Date
Design/Drawn	D M EATON	Date	30-Sep-15
TCPN	EH1020-000	Scale (UOS)	2:15
Part Weight	48.5kg	THIRD ANGLE PROJECTION	A3
Drawing/Part No	BAH-028110227	Drawing Type	CUSTOMER
Rev	D		