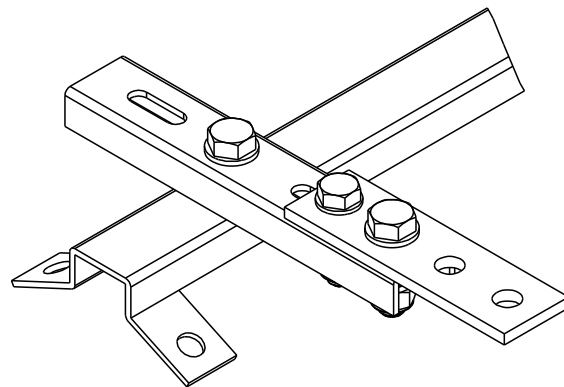
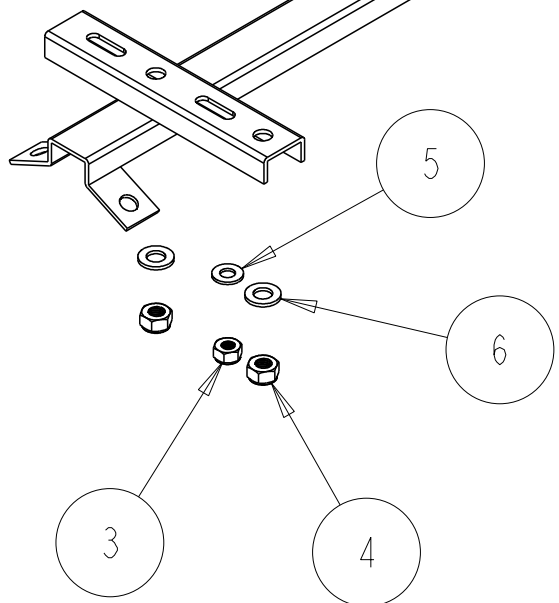
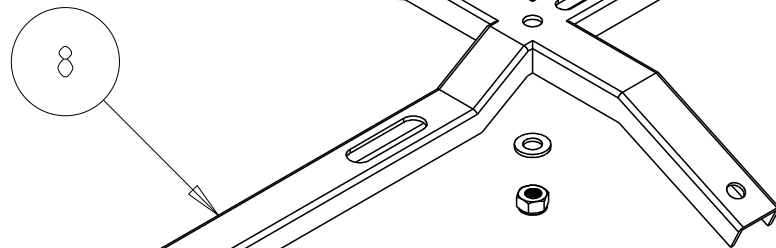
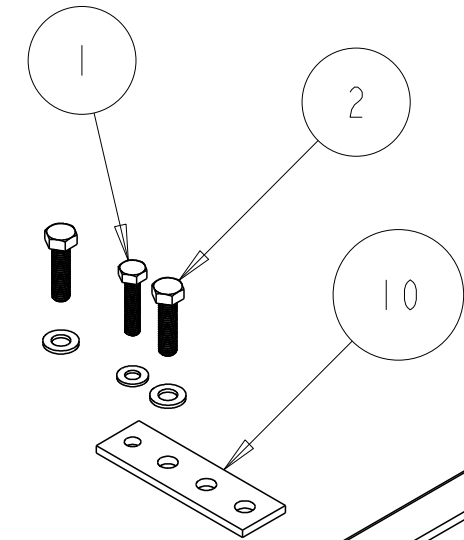
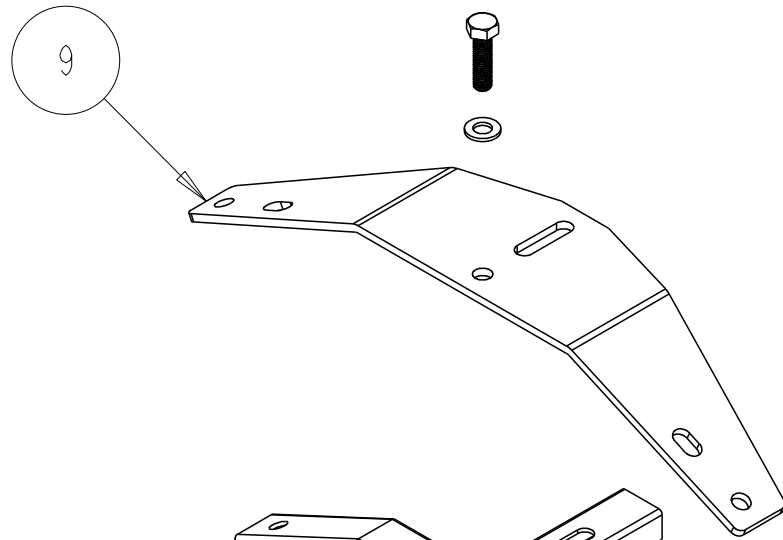
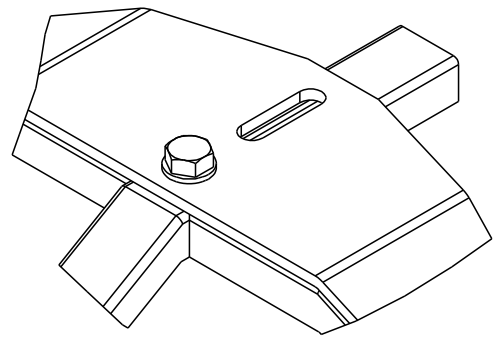


DETAIL B
SCALE 0.300



SEE NOTE 2 ↔

SEE NOTE 2 ↔

SEE DETAIL B

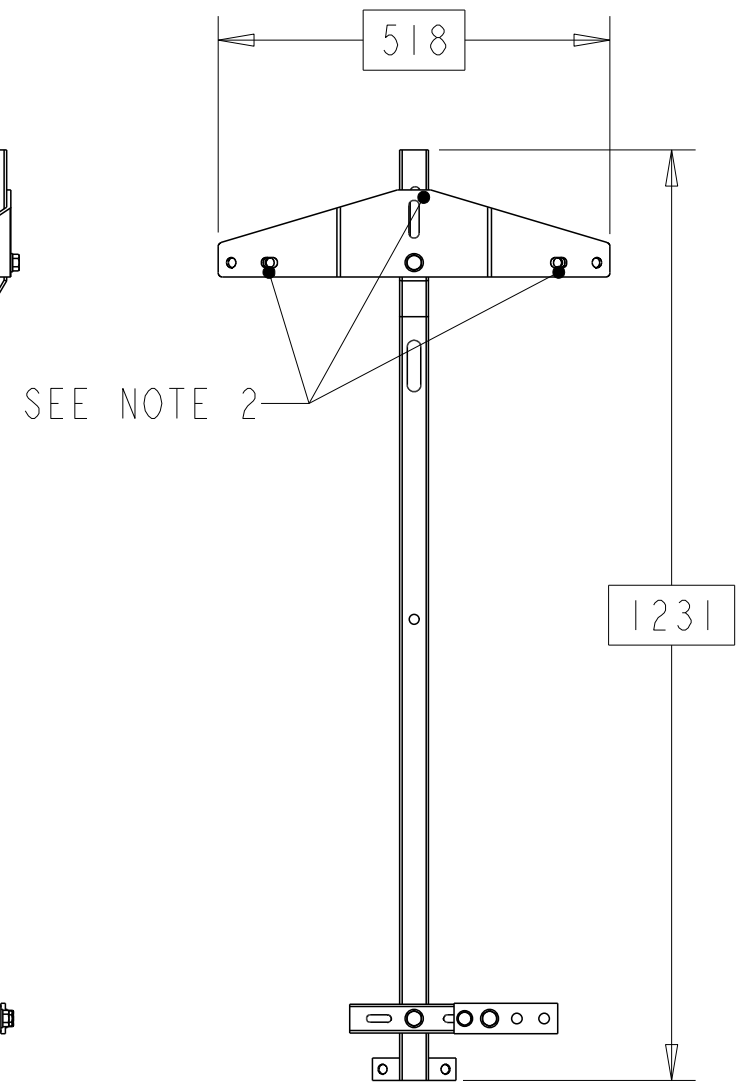
SCALE 0.100

SEE DETAIL A

NOTES:

1. ALL NUTS TO BE HAND TIGHT.
2. CABLE TIES TO BE FITTED IN THESE POSITIONS TO HOLD SUPPORT PLATE IN POSITION.

ITEM	PART/DRG NO	QTY	DESCRIPTION
1	BAH-017030079	1	M10 x 45 LONG HEX HEAD SET SCREW - BRIGHT ZINC PLATED HIGH TENSILE STEEL 8.8G
2	BAH-017030080	3	M12 x 45 LONG HEX HEAD SET SCREW - BRIGHT ZINC PLATED HIGH TENSILE STEEL 8.8G
3	BAH-017050033	1	M10 NYLOC STEEL NUT - BRIGHT ZINC PLATED HIGH TENSILE STEEL 8G
4	BAH-017050034	3	M12 NYLOC STEEL NUT - BRIGHT ZINC PLATED HIGH TENSILE STEEL 8G
5	BAH-017060006	2	M10 ZINC PLATED STEEL WASHER - FORM A (2mm THICK)
6	BAH-017060047	6	M12 ZINC PLATED STEEL WASHER - FORM A (2.5mm THICK)
7	BAH-018070167	3	12" LONG CABLE TIE (NOT SHOWN)
8	BAH-018100026	1	CRUCIFIX INSULATOR SUPPORT BRACKET
9	BAH-018100029	1	CRUCIFIX INSULATOR SUPPORT PLATE
10	BAH-018100030	1	COPPER ADAPTOR PLATE FOR CABLE TERMINATIONS



DETAIL A
SCALE 0.300



Material	VARIES	Part Description	- IF IN DOUBT ASK - DO NOT SCALE -
Finish	VARIES		
Tolerances (UOS)	-		
BGH Short Desc.	11TCA-SP		

11KV CRUCIFIX ASSEMBLY - SP

A	FIRST ISSUE	BH-01269	22/05/18
Revision	Description	Name/DMR	Date
Design/Drawn	D M EATON	Date	21-May-18
TCPN	EN4796-000	Scale (UOS)	0.200
Part Weight	16.5 kg	THIRD ANGLE PROJECTION	A3
Drawing/Part No	BAH-028100031	Drawing Type	CUSTOMER
Rev	A		