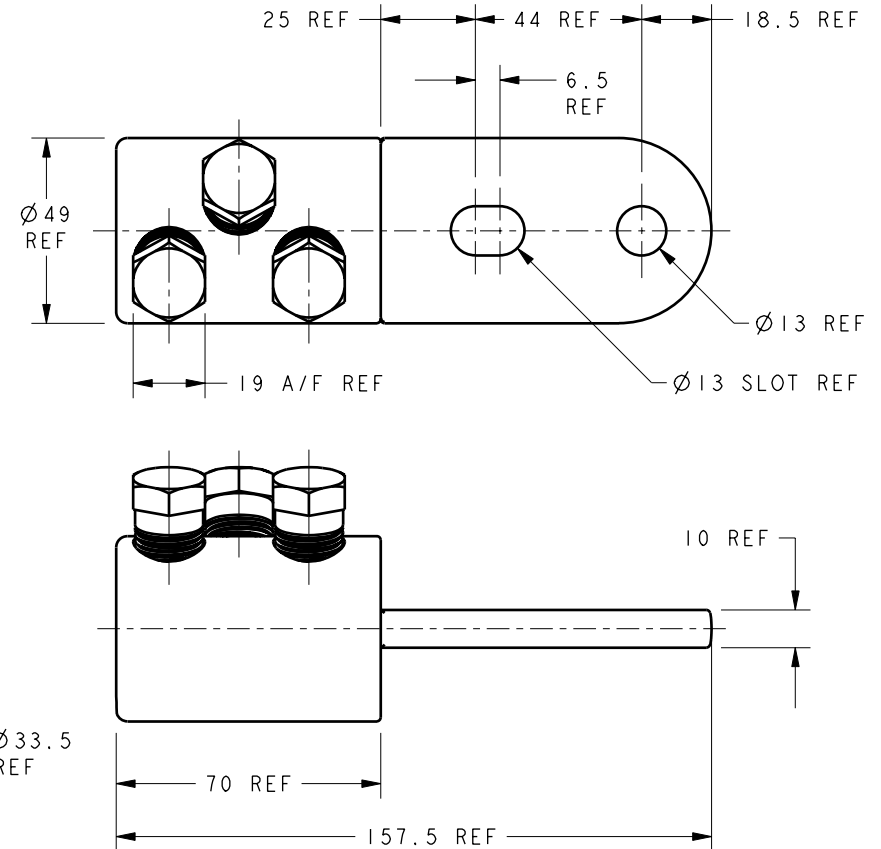
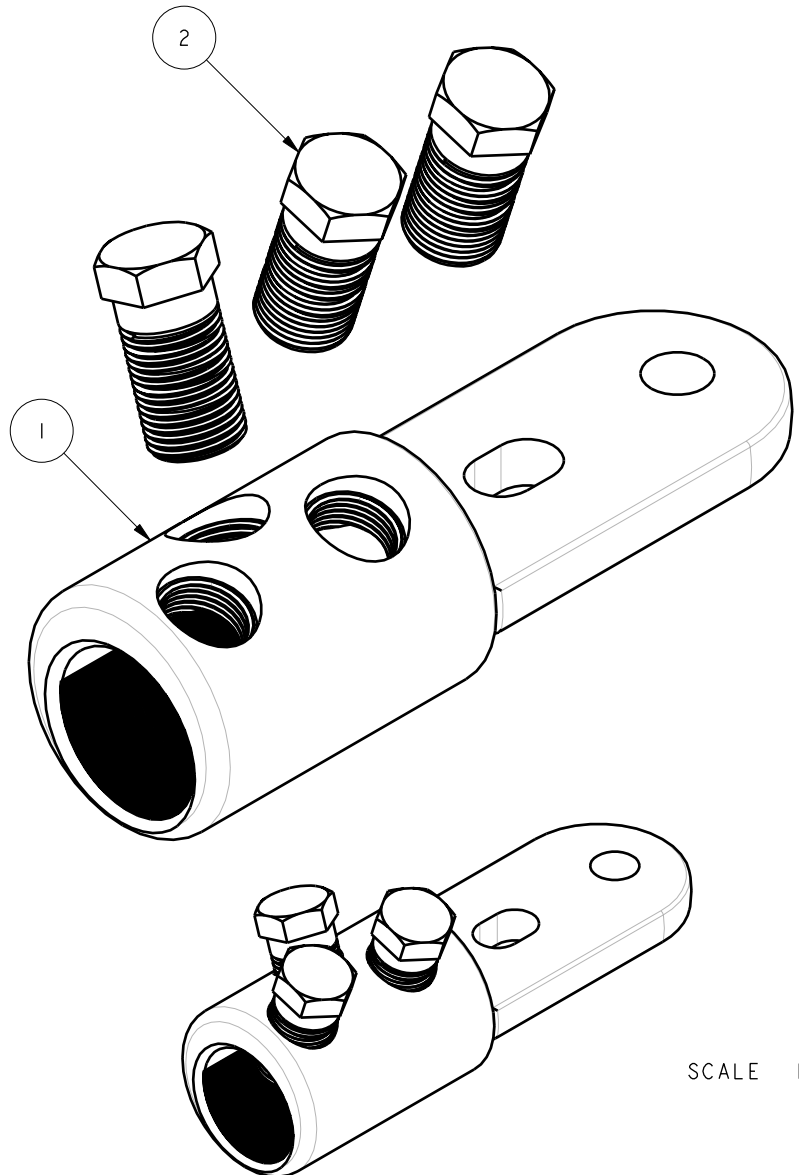


ITEM	PART/DRG NO	QTY	DESCRIPTION
1	01-403-0184	1	MV BRASS END TERMINATION BODY - 49.0 O/D 33.5 I/D - CENTER PALM OVERHEAD TYPE WITH Ø13.0 HOLE & SLOT
2	01-701-0010	3	M18x1.5 19 A/F 41.0 LONG BRASS MULTI-SHEAR BOLT



SCALE 1:2



Tyco Electronics UK Ltd  
Freebournes Road, Witham  
Essex, CM8 3AH, UK.  
Tel: +44 1376 509509  
Fax: +44 1376 509511  
<http://energy.tycoelectronics.com>

Material	VARIES
Finish	VARIES
Tolerances (UOS)	-
B&H Short Desc.	VETB330HUTB

IF IN DOUBT ASK - DO NOT SCALE

Part Description  
MV BRASS END TERMINATION  
- 49.0 O/D 33.5 I/D OVERHEAD TYPE  
CENTRE PALM WITH Ø13.0 HOLE & SLOT

A	FIRST ISSUE	BH-00150	27/02/06
Revision	Description	Name/DMR	Date
Design/Drawn	D M EATON	Date.	27-Feb-06
PCN/RPN No	CA3389-000	Scale (UOS)	3:4
Checked/Approved by		THIRD ANGLE PROJECTION	A 4
Drawing/Part No.	02-403-0185	Drawing Type	ASSEMBLY/CUSTOMER
		Revision	A

REMOVE ALL BURRS AND SHARP EDGES - SURFACES TO BE FREE FROM SCRATCHES AND DEFECTS - ALL THREADS TO BS3643 PT 2

© 2006 TYCO ELECTRONICS UK LTD., WITHAM, UK