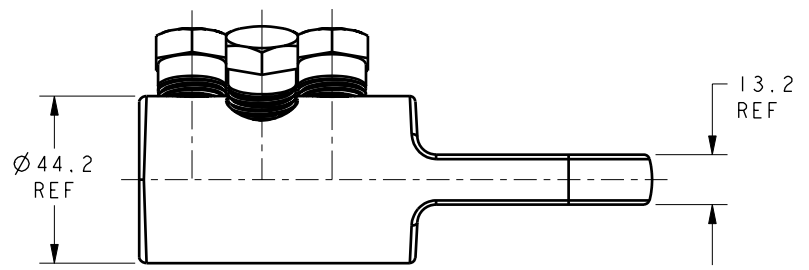
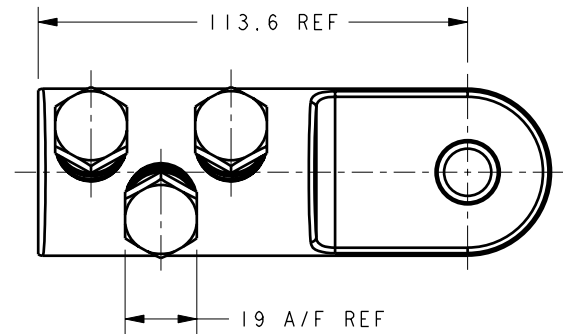
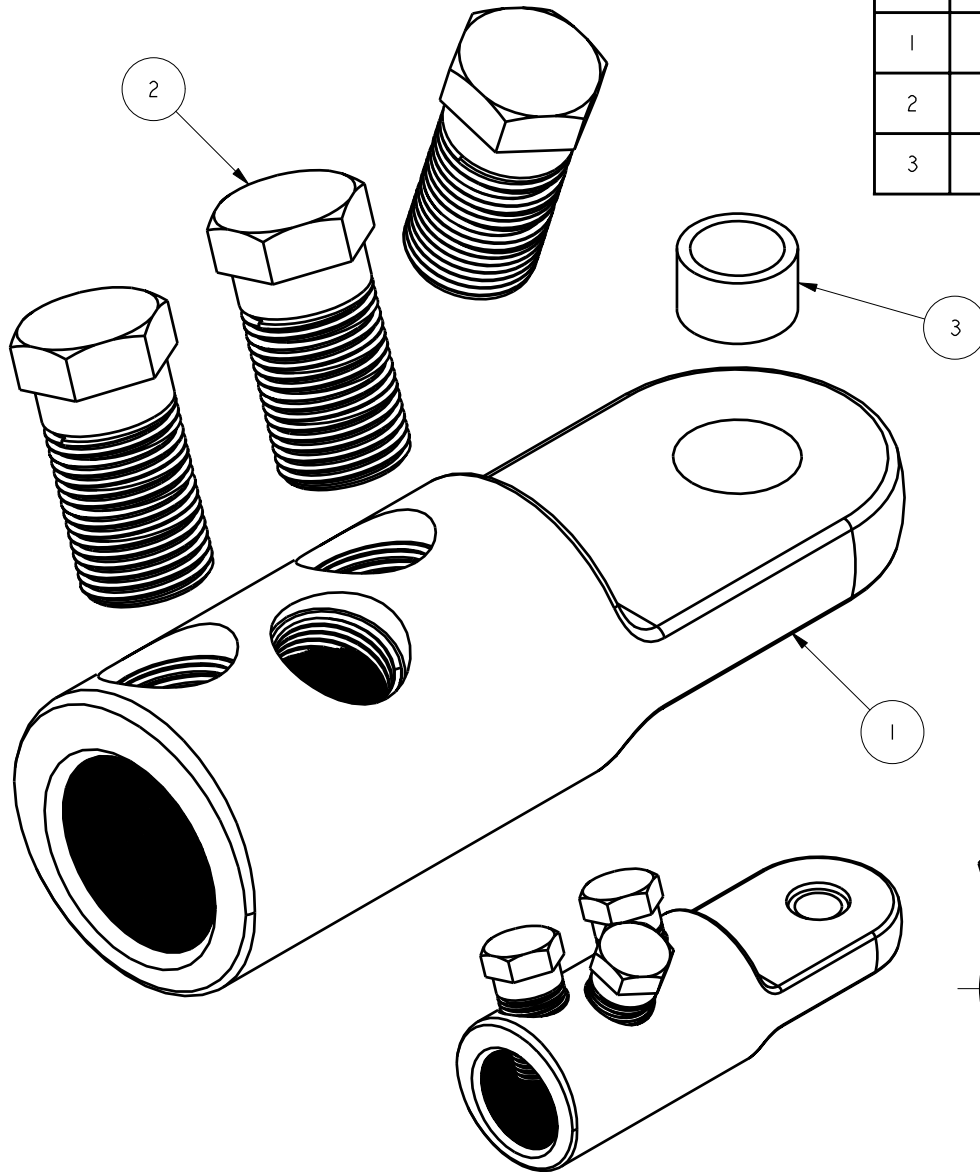


| ITEM | PART/DRG NO | QTY | DESCRIPTION |
|------|-------------|-----|--|
| 1 | 01-403-0085 | 1 | MV BRASS END TERMINATION BODY - 44.2 O/D 28.0 I/D - CENTRE PALM WITH Ø17.0 HOLE |
| 2 | 01-701-0010 | 3 | M18x1.5 19 A/F 41.0 LONG BRASS MULTI-SHEAR BOLT |
| 3 | 01-707-0001 | 1 | BRASS REDUCING BUSH 16.0 O/D 12.5 I/D 9.8 LONG |



SCALE 1:2

tyco
Electronics
B&H

Tyco Electronics UK Ltd
Freebournes Road, Witham
Essex, CM8 3AH, UK.
Tel: +44 1376 509509
Fax: +44 1376 509511
<http://energy.tycoelectronics.com>

| | | |
|------------------|--------------|--|
| Material | - | IF IN DOUBT ASK - DO NOT SCALE |
| Finish | - | Part Description |
| Tolerances (UOS) | - | MV BRASS END TERMINATION - 44.2 O/D 28.0 I/D CENTRE PALM WITH Ø17.0 HOLE AND M16-M12 REDUCING BUSH |
| B&H Short Desc. | VETB28-16/12 | |

| | | | | | |
|------------------|-------------|---------------------|-------------------|-------------|----------|
| Revision | FIRST ISSUE | | | D M E | 20/10/04 |
| Design/Drawn | D M EATON | Date. | 20-Oct-04 | Scale (UOS) | 1:1 |
| PCN/RPN No | F61203-000 | Checked/Approved by | | | |
| Drawing/Part No. | 02-403-0159 | Drawing Type | ASSEMBLY/CUSTOMER | Revision | A |

| | | | | | |
|------------------|-------------|---------------------|-------------------|-------------|----------|
| Revision | FIRST ISSUE | | | D M E | 20/10/04 |
| Design/Drawn | D M EATON | Date. | 20-Oct-04 | Scale (UOS) | 1:1 |
| PCN/RPN No | F61203-000 | Checked/Approved by | | | |
| Drawing/Part No. | 02-403-0159 | Drawing Type | ASSEMBLY/CUSTOMER | Revision | A |

REMOVE ALL BURRS AND SHARP EDGES - SURFACES TO BE FREE FROM SCRATCHES AND DEFECTS - ALL THREADS TO BS3643 PT 2

© 2004 TYCO ELECTRONICS UK LTD. WITHAM, UK