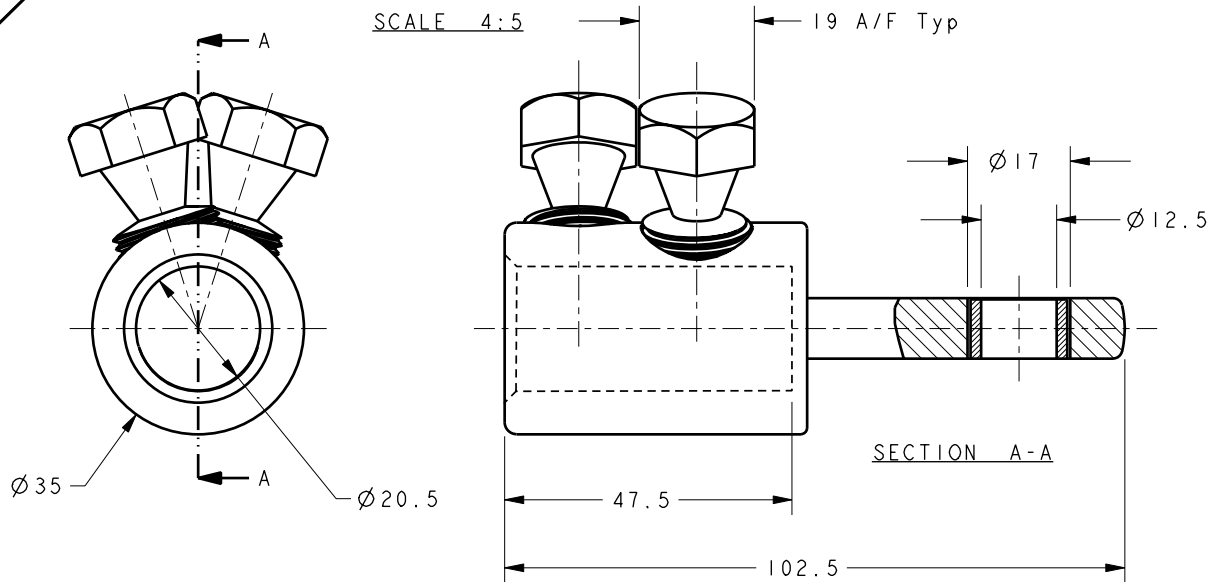
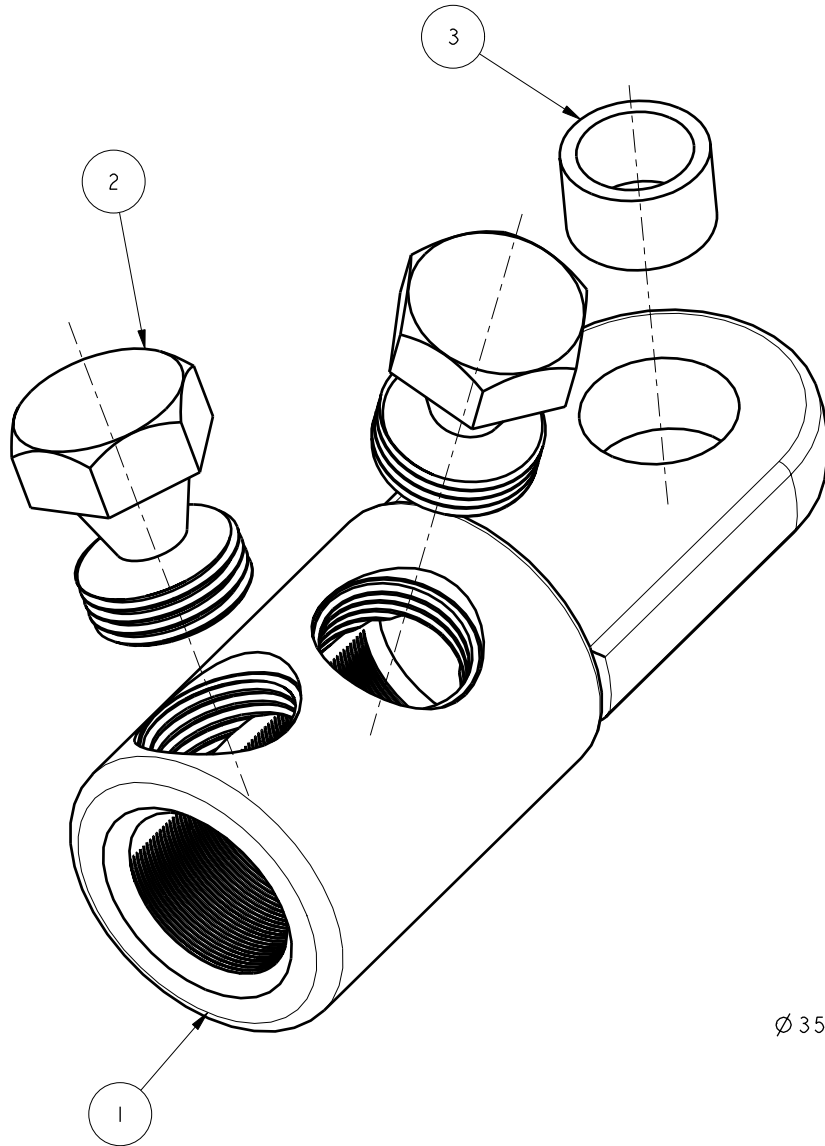


| ITEM | PART/DRG NO | QTY | DESCRIPTION |
|------|-------------|-----|--|
| 1 | 01-403-0099 | 1 | MV BRASS END TERMINATION BODY 35.0 O/D 20.5 I/D - CENTRE PALM WITH Ø17.0 HOLE |
| 2 | 01-700-0085 | 2 | M18x1.5 19 A/F 26.0 LONG BRASS SINGLE-SHEAR BOLT |
| 3 | 01-707-0001 | 1 | BRASS REDUCING BUSH 16.0 O/D 12.5 I/D 9.8 LONG |



| | | | | | | | |
|--|---|--------------------------------|---|--|---------------------------------|-----------------------------------|----------------------------|
| Issued to: Commercial | Quality | Stores | Production | A | FIRST ISSUE | S.P.W | 12.6.02 |
| IF IN DOUBT ASK - DO NOT SCALE | | | | Revision | Description | Name | Date |
| tyco Electronics (B&H) | Tyco Electronics UK Ltd Aldridge Site Middlemore Lane West Aldridge West Midlands WS9 8EA Phone: +44(0)1922 743993 Fax: +44(0)1922 744150 | Material BRASS CZ121 | Part Description MV BRASS END TERMINATION - 35.0 O/D 20.5 I/D - CENTRE PALM WITH Ø17.0 HOLE | Design/Drawn S.P.WEST | Date 12-Jun-02 | Scale (UOS) 5:4 | THIRD ANGLE PROJECTION |
| | Finish NATURAL | Tolerances (UOS) ±- | | Checked by | Approved by | A4 Revision A | |
| | B&H Short Desc. VETB20/35-16 | | | Drawing/Part No. 02-403-0100 | Drawing Type ASSEMBLY | | |

REMOVE ALL BURRS AND SHARP EDGES - ALL THREADS TO BS3643 PT 2 © THIS DRAWING IS COPYRIGHT AND IS ISSUED ON THE STRICT UNDERSTANDING THAT IT IS NOT REPRODUCED, COPIED OR DISCLOSED TO A THIRD PARTY WITHOUT THE CONSENT IN WRITING OF TYCO ELECTRONICS