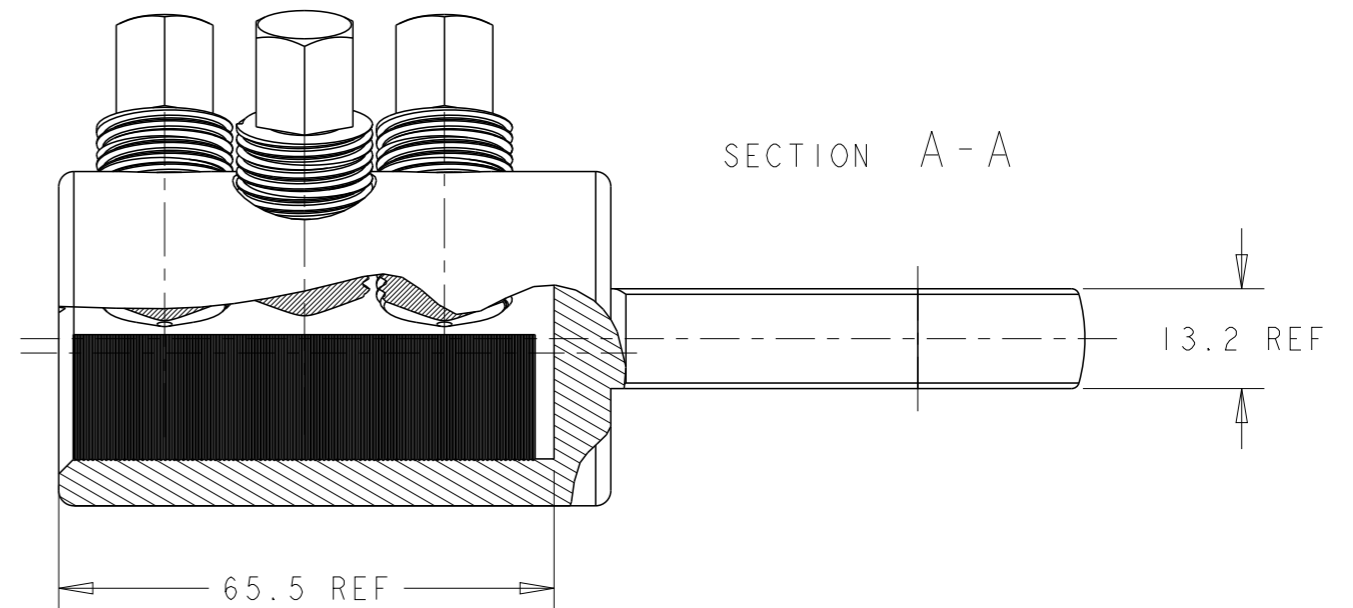
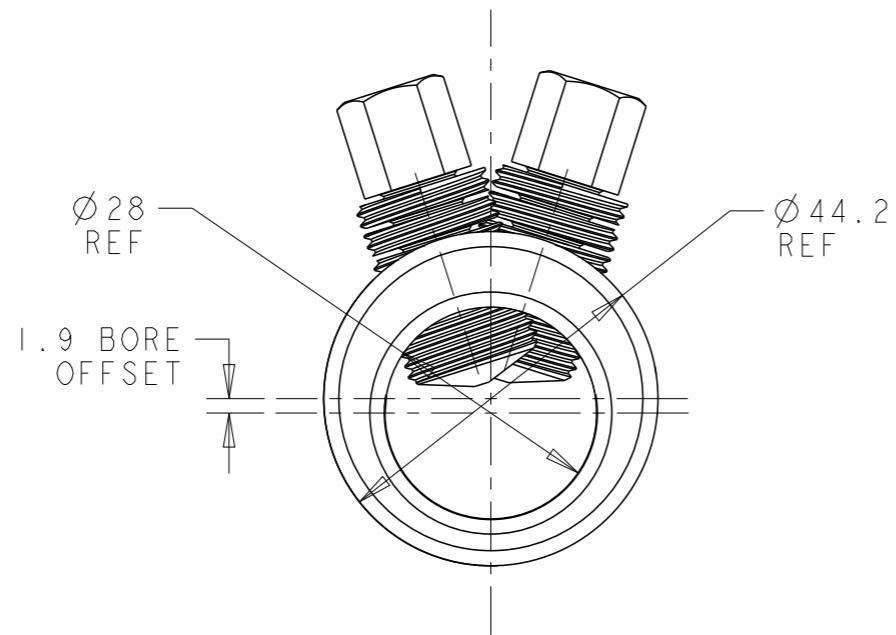
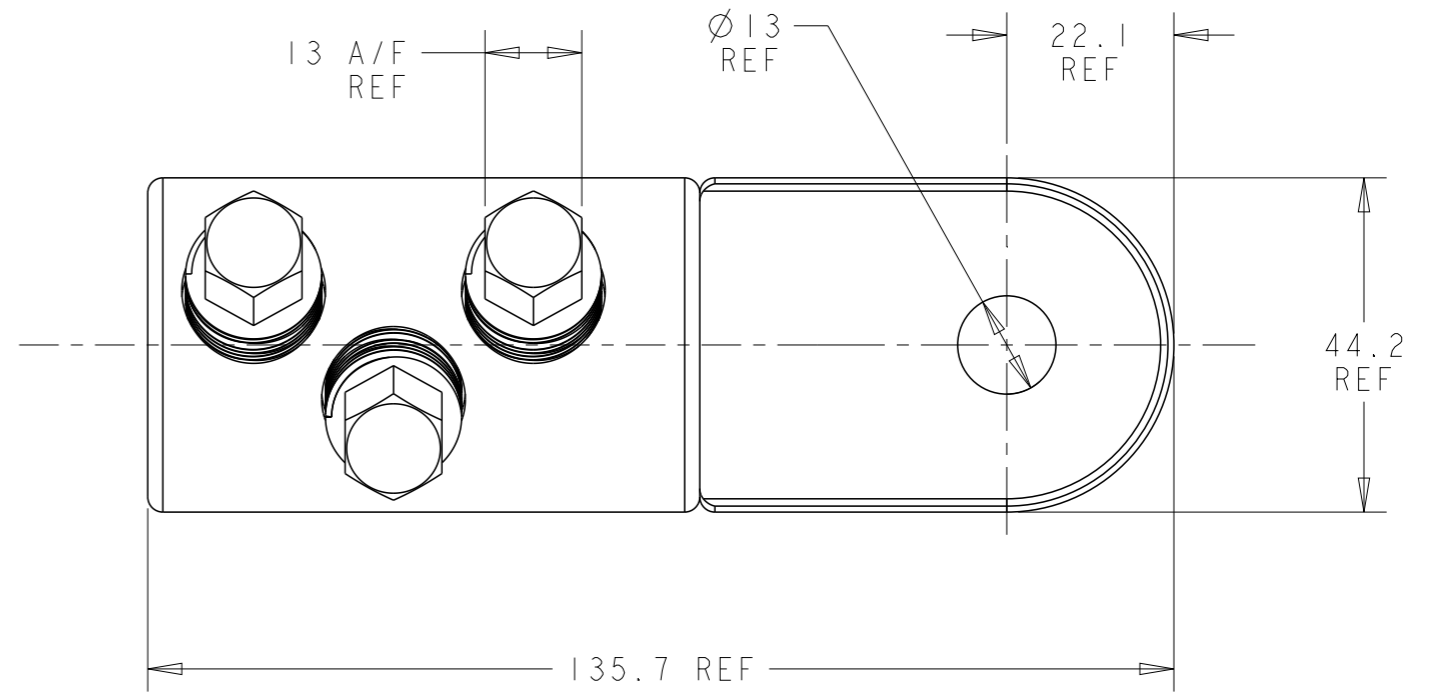
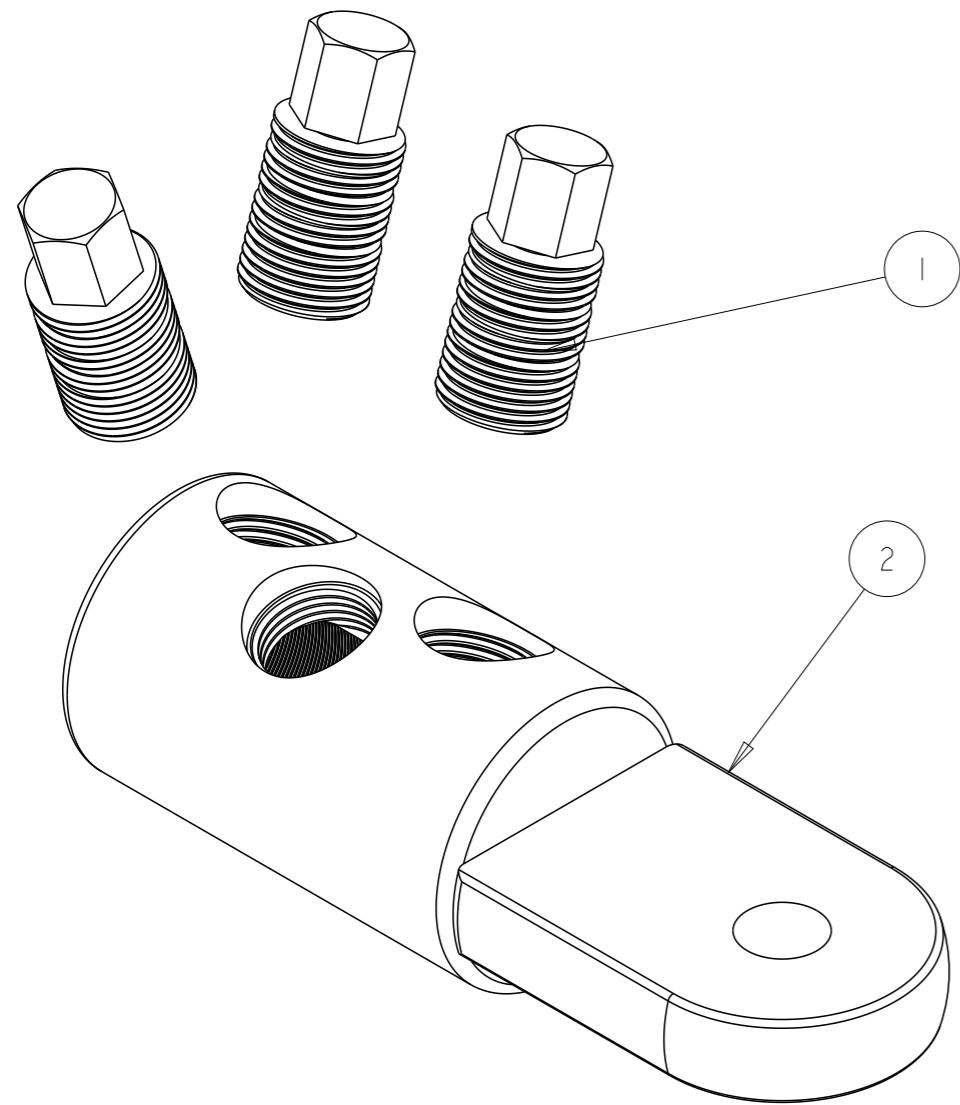


ITEM	PART/DRG NO	TCPN DESCRIPTION	QTY	DESCRIPTION
1	622252-000	BAH-017010010	3	M18x1.5 12.8 A/F 41.0 LONG BRASS MULTI-SHEAR BOLT
2	657912-000	BAH-014030082	1	MV BRASS END TERMINATION BODY - 44.2 O/D 28.0 I/D - CENTRE PALM WITH Ø13.0 HOLE



Material	VARIABLES
Finish	VARIABLES
Tolerances (UOS)	-
B&H Short Desc.	VETB2812UTB

Part Description - IF IN DOUBT ASK - DO NOT SCALE -
 MV BRASS END TERMINATION CONNECTOR - 44.2 O/D 28.0 I/D - CENTRE PALM WITH Ø13.0 HOLE - c/w MULTI-SHEAR BOLTS

Revision	B		HEX BOLT HEAD REDUCED AS PER ECR	SD/DMR-G C-0020	22JAN21
Revision	A		FIRST ISSUE	BH-0110	27/08/15
Design/Drawn	J ENGLISH	Date	27-Aug-15	Scale (UOS)	1:1
TCPN	124416-000	Part Weight	1.02Kg	THIRD ANGLE PROJECTION	
Drawing/Part No	BAH-024030083	Drawing Type	CUSTOMER DRAWING	Rev	B

REMOVE ALL BURRS AND SHARP EDGES - SURFACES TO BE FREE FROM SCRATCHES AND DEFECTS - ALL THREADS TO BS3643 PT 2

© 2017 TYCO ELECTRONICS UK LTD, WITHAM, UK