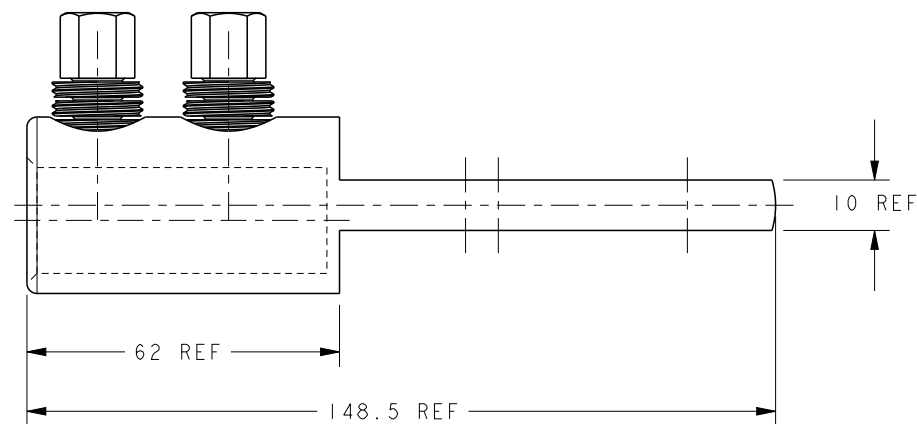
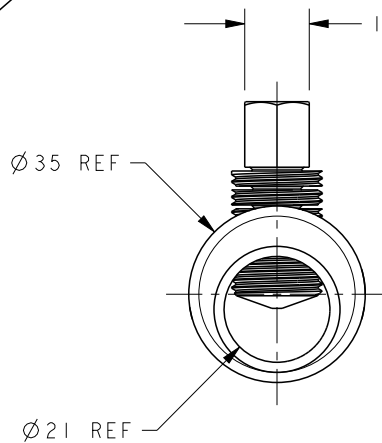
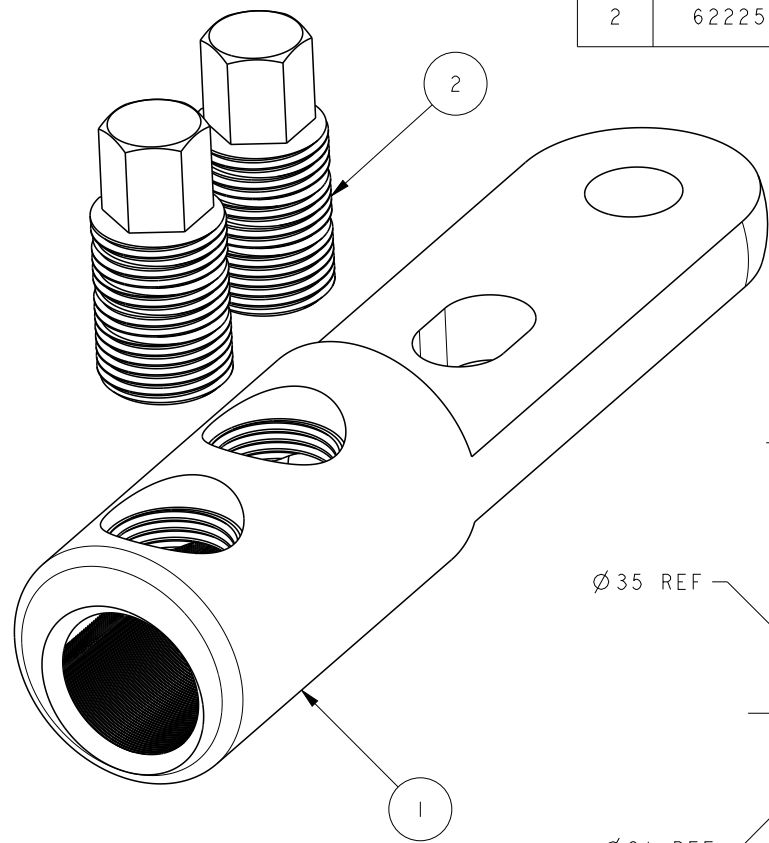


ITEM	PART/DRG NO	TCPN DESCRIPTION	QTY	DESCRIPTION
1	022016-000	BAH-014030073	1	MV BRASS END TERMINATION BODY 35.0 O/D 21.0 I/D CENTRE PALM OVERHEAD TYPE WITH Ø13.0 HOLE & SLOT
2	622252-000	BAH-017010010	2	M18x1.5 12.8 A/F 41.0 LONG BRASS MULTI-SHEAR BOLT



Material	VARIES
Finish	VARIES
Tolerances (UOS)	-
B&H Short Desc.	VETB21OHUTB

Part Description	- IF IN DOUBT ASK - DO NOT SCALE -
	MV BRASS END TERMINATION 35.0 O/D 21.0 I/D CENTRE PALM OVERHEAD TYPE WITH Ø13.0 HOLE & SLOT

Revision	Description	Scale (UOS)	1:1	THIRD ANGLE PROJECTION	A4
D	HEX BOLT HEAD REDUCED AS PER ECR	SD/DMR-GC-0020	21JAN21		
C	PICTORIAL CHANGE ONLY - BODY MACHINED NOT FORGED	BH-00086	01/09/05		
B	PART No WAS VETB21OHUTB, DRG No WAS E15-B01-A03	S.P.W	2.1.02		
A	FIRST ISSUE	S.P.W	14.5.01		
Design/Drawn	S.P.WEST	Date	14-May-01		
TCPN	837660-000	Part Weight			
Drawing/Part No	BAH-024030075	Drawing Type	CUSTOMER DRAWING		Rev D

REMOVE ALL BURRS AND SHARP EDGES - SURFACES TO BE FREE FROM SCRATCHES AND DEFECTS - ALL THREADS TO BS3643 PT 2

© 2017 TYCO ELECTRONICS UK LTD, WITHAM, UK