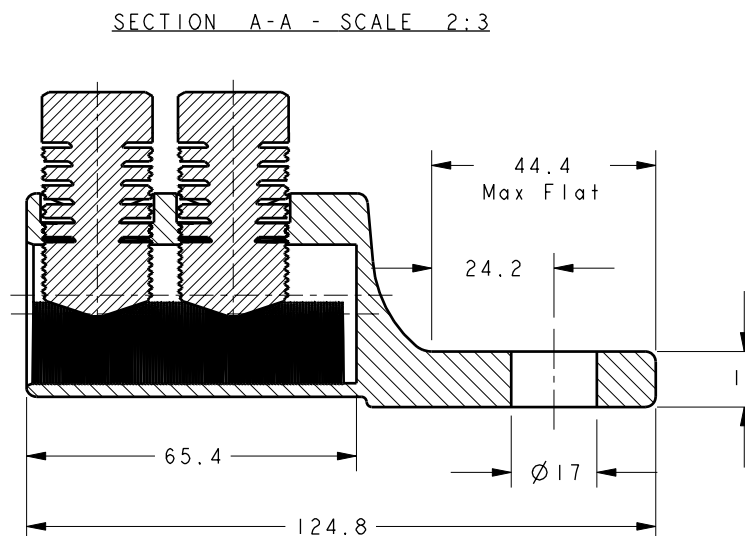
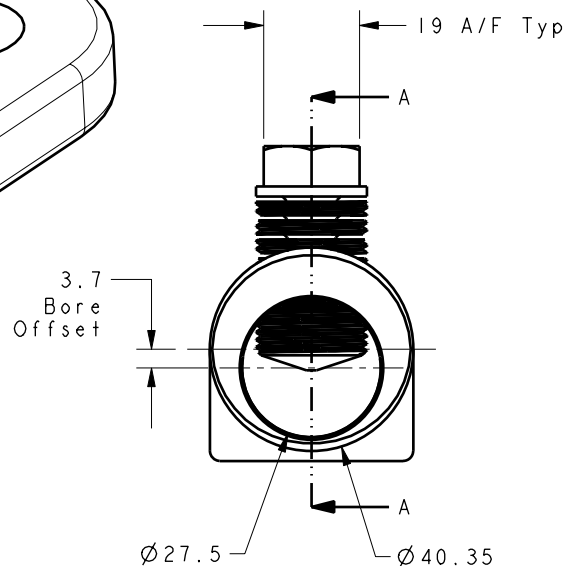
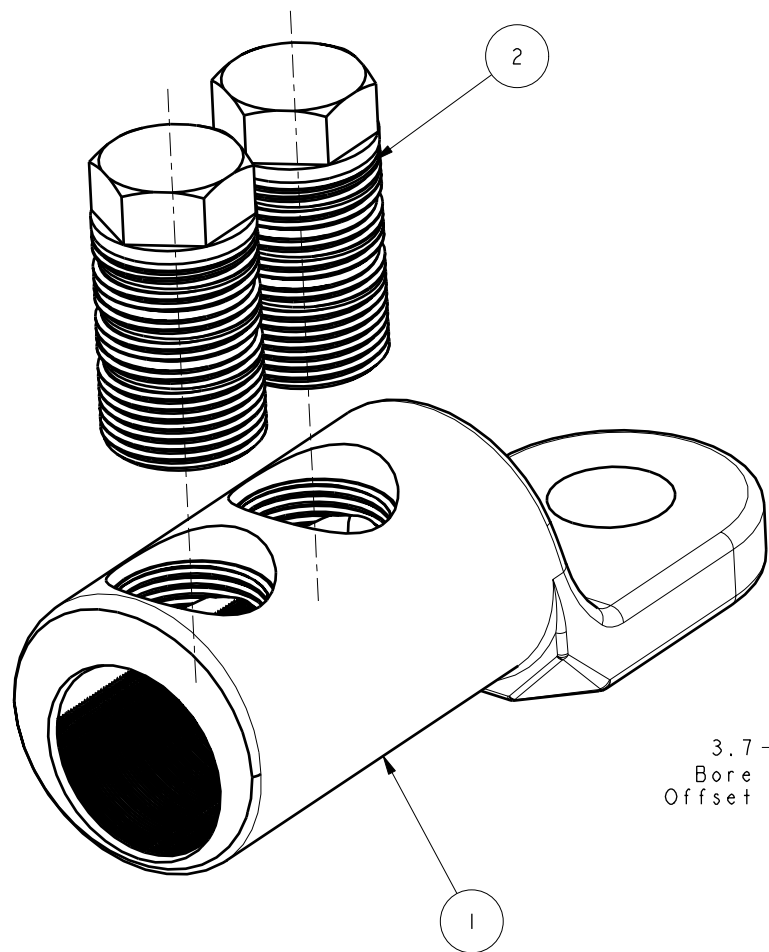


ITEM	PART/DRG NO	QTY	DESCRIPTION
1	01-403-0035	1	MV ALUMINIUM END TERMINATION BODY 40.35 O/D 27.5 I/D - OFFSET PALM WITH Ø17.0 HOLE
2	01-701-0029	2	M22x1.5 19 A/F 44.5 LONG BRASS MULTI-SHEAR BOLT



Issued to: Commercial	Quality	Stores	Production	A	FIRST ISSUE	S.P.W	8.10.03
Material VARIES				Revision	Description	Name	Date
Finish NATURAL				Design/Drawn	S.P.WEST	Date	08-Oct-03
Tolerances (UOS) ±-				Checked by	Approved by	Scale (UOS)	1:1
B&H Short Desc. HVETM22-16UTC				Drawing/Part No.	02-403-0036	Drawing Type	ASSEMBLY
Part Description				THIRD ANGLE PROJECTION			
IF IN DOUBT ASK - DO NOT SCALE				A4			
MV ALUMINIUM END TERMINATION - 40.35 O/D 27.5 I/D - OFFSET PALM WITH Ø17.0 HOLE				Revision A			

REMOVE ALL BURRS AND SHARP EDGES - ALL THREADS TO BS3643 PT 2 © THIS DRAWING IS COPYRIGHT AND IS ISSUED ON THE STRICT UNDERSTANDING THAT IT IS NOT REPRODUCED, COPIED OR DISCLOSED TO A THIRD PARTY WITHOUT THE CONSENT IN WRITING OF TYCO ELECTRONICS