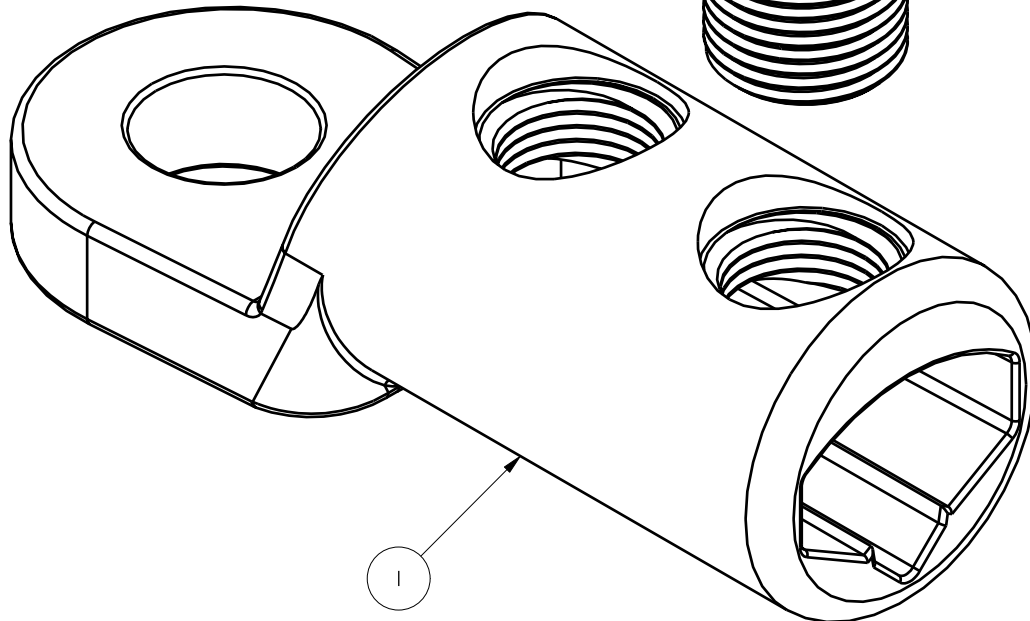
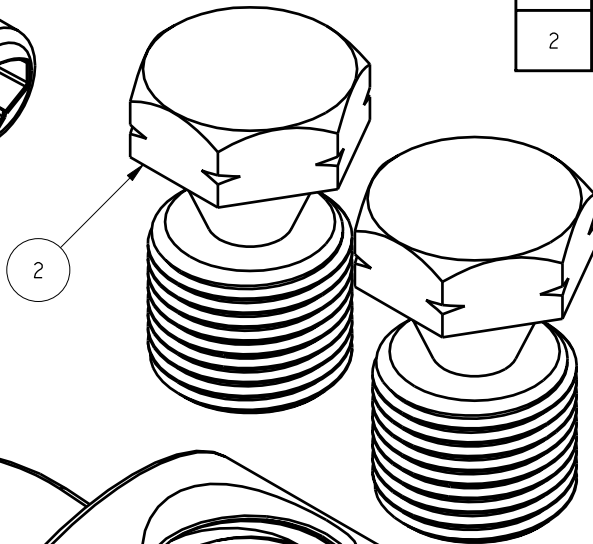
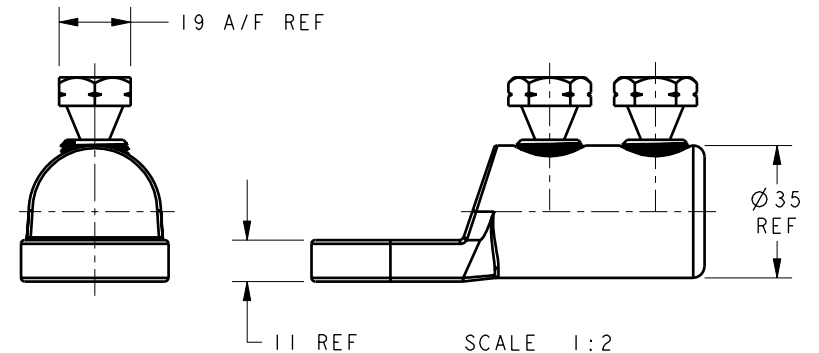
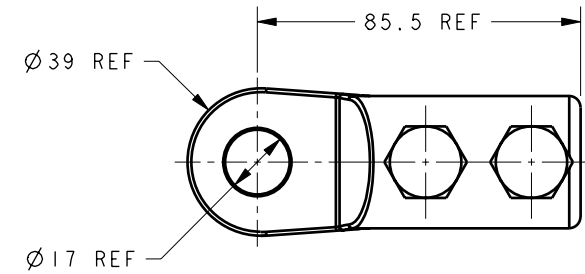


SCALE 1:2



ITEM	PART/DRG NO	QTY	DESCRIPTION
1	01-402-0043	1	LV ALUMINIUM END TERMINATION BODY WITH SECTORAL BORE TO SUIT 185mm ² OFFSET PALM WITH Ø17.0 HOLE
2	01-700-0046	2	M18x1.5 19 A/F 35.5 LONG ALUMINIUM SINGLE-SHEAR BOLT



Tyco Electronics UK Ltd
 Freebournes Road, Witham
 Essex, CM8 3AH, UK.
 Tel: +44 1376 509509
 Fax: +44 1376 509511
<http://energy.tycoelectronics.com>

Material	VARIES
Finish	VARIES
Tolerances (UOS)	-
B&H Short Desc.	LVET18516(SECT)/AGIM18

IF IN DOUBT ASK - DO NOT SCALE
 Part Description
 LV ALUMINIUM END TERMINATION CONNECTOR
 - 35.0 O/D WITH SECTORAL BORE TO SUIT 185mm²
 - OFFSET PALM WITH Ø17.0 HOLE

A	FIRST ISSUE	BH-00045	14/04/05
Revision	Description	Name/DMR	Date
Design/Drawn	D M EATON	Date.	14-Apr-05
PCN/RPN No	204094-000	Scale (UOS)	3:2
Checked/Approved by		THIRD ANGLE PROJECTION	A 4
Drawing/Part No.	02-402-0044	Drawing Type	ASSEMBLY/CUSTOMER
		Revision	A