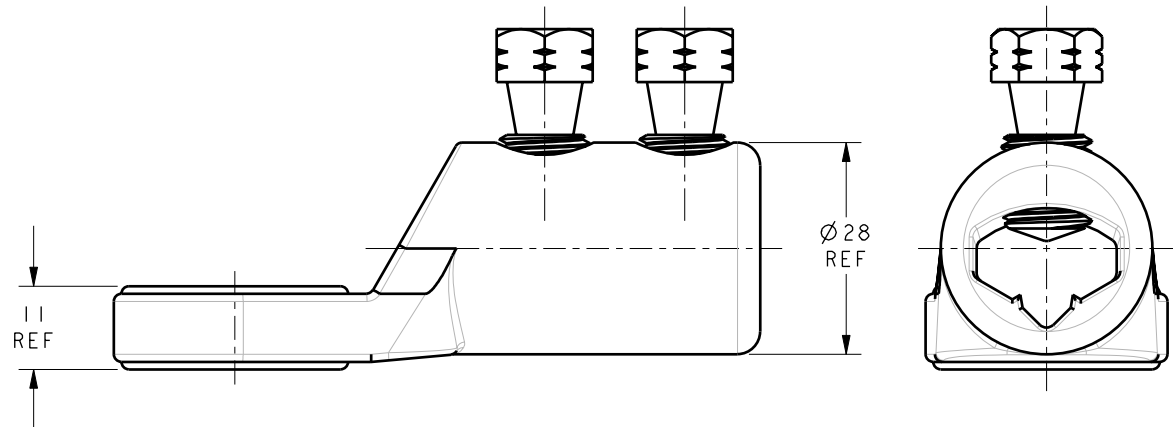
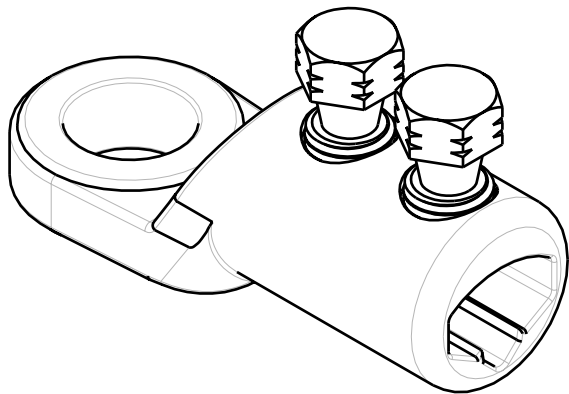
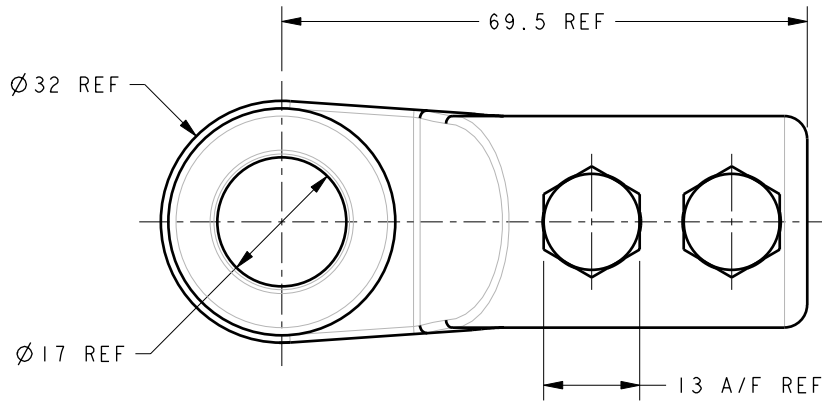
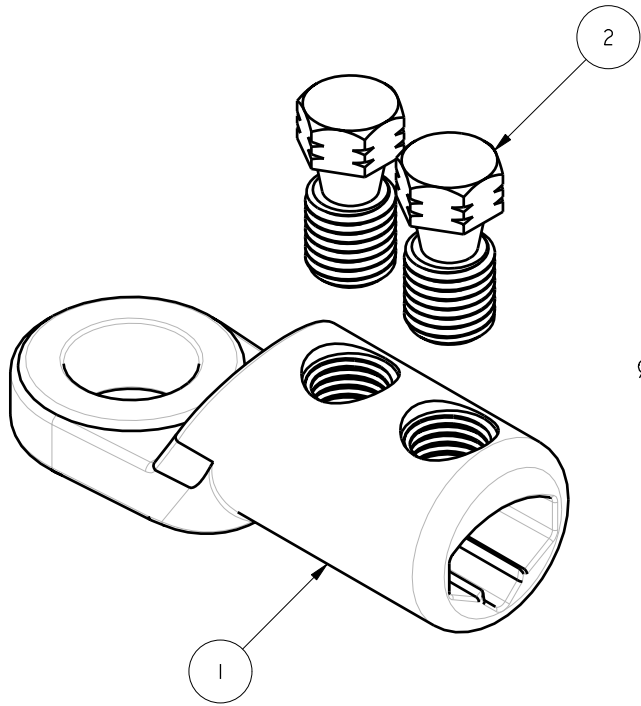


ITEM	PART/DRG NO	QTY	DESCRIPTION
1	01-402-0033	1	LV ALUMINIUM END TERMINATION BODY WITH SECTORAL BORE TO SUIT 120mm ² - OFFSET PALM WITH Ø17.0 HOLE
2	01-700-0055	2	M12x1.5 13 A/F 28.0 LONG ALUMINIUM SINGLE-SHEAR BOLT



Tyco Electronics UK Ltd
Freebournes Road, Witham
Essex, CM8 3AH, UK.
Tel: +44 1376 509509
Fax: +44 1376 509511
<http://energy.tycoelectronics.com>

Material	VARIES
Finish	VARIES
Tolerances (UOS)	-
B&H Short Desc.	LVET12016(SECT)/AG2M12

IF IN DOUBT ASK - DO NOT SCALE	
Part Description	
LV ALUMINIUM END TERMINATION CONNECTOR	
- 28.0 O/D WITH SECTORAL BORE TO SUIT 120mm ²	
- OFFSET PALM WITH Ø17.0 HOLE (AG2M12)	

A	FIRST ISSUE	BH-00102	12/10/05
Revision	Description	Name/DMR	Date
Design/Drawn	D M EATON	Date.	12-Oct-05
PCN/RPN No	335152-000	Checked/Approved by	Scale (UOS) 1:1
Drawing/Part No.	02-402-0034	Drawing Type	ASSEMBLY/CUSTOMER
		THIRD ANGLE PROJECTION	Revision A

REMOVE ALL BURRS AND SHARP EDGES - SURFACES TO BE FREE FROM SCRATCHES AND DEFECTS - ALL THREADS TO BS3643 PT 2

© 2005 TYCO ELECTRONICS UK LTD. WITHAM. UK