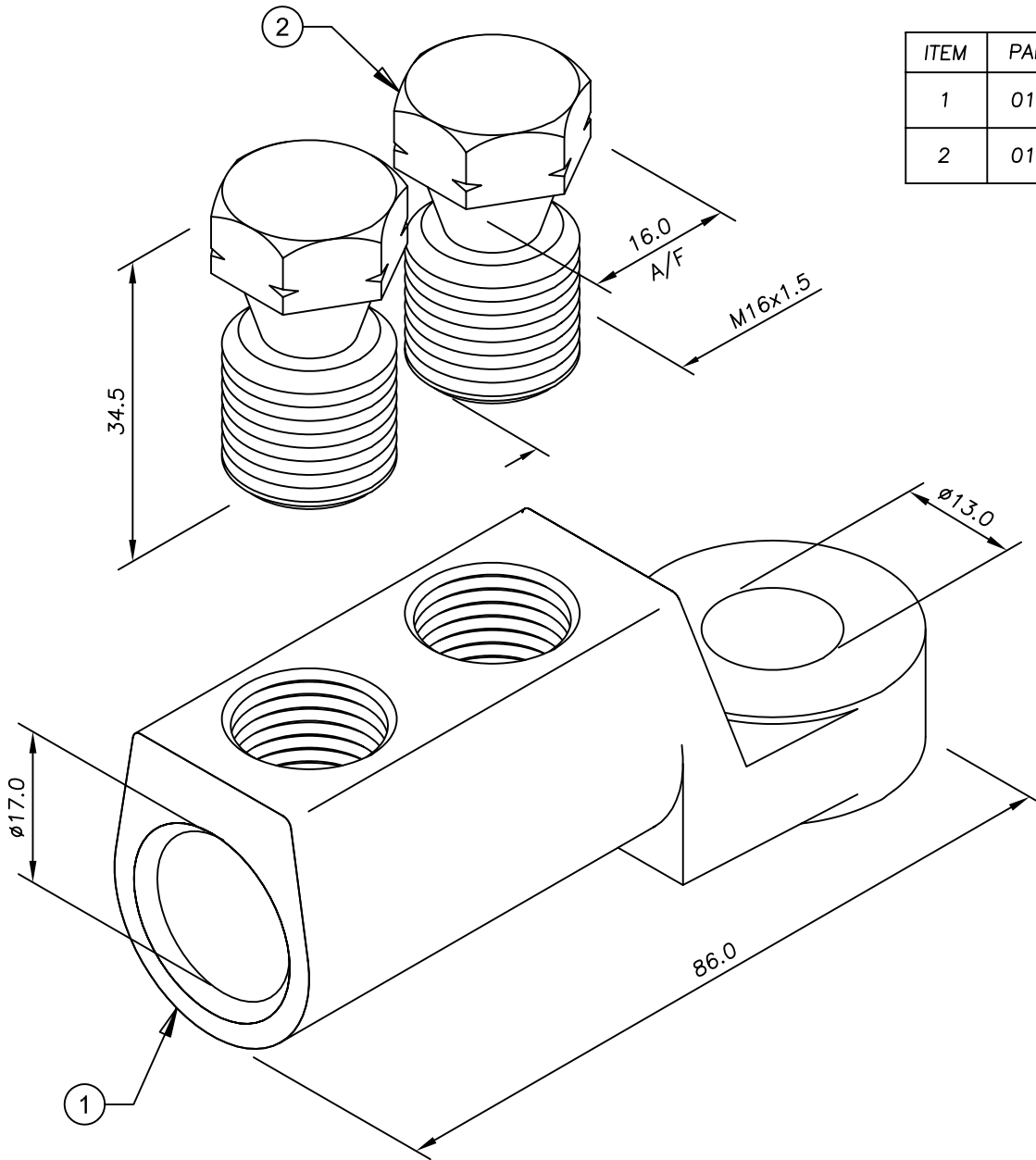


ITEM	PART/DRG NO.	QTY.	DESCRIPTION
1	01-402-0084	1	LV BRASS END TERMINATION BODY - Ø17.0 BORE - OFFSET PALM WITH Ø13.0 HOLE
2	01-700-0007	2	M16x1.5 16 A/F 34.5 LONG BRASS SINGLE-SHEAR BOLT



Issued to: Commercial      Quality      Stores      Production

**tyco**  
Electronics  
Energy Division

**B&H**  
Middlemore Lane West,  
Redhouse Ind. Est. Aldridge,  
West Midlands WS9 8EA  
Phone: +44(0)1922 744144  
Fax: +44(0)1922 744150

Material VARIES  
Finish NATURAL  
Tolerances (UOS) ±0.3  
Remove all Burrs and Sharp Edges  
All Threads to BS3643 Pt 2

IF IN DOUBT ASK! - DO NOT SCALE

Part Description  
LV BRASS END TERMINATION - Ø17.0 BORE - OFFSET  
PALM WITH Ø13.0 HOLE & M16 16 A/F SHEAR BOLTS

B	PART No WAS BET120-12, DRG No WAS E18-B01-A01	S.P.W	27.11.01
A	FIRST ISSUE	S.P.W	8.12.00
Revision	Description	Name	Date
Design/Drawn	S.P.WEST	Date.	8 DEC 2000
Checked by	Approved by	Scale (UOS)	1.25:1
Drawing/Part No.	02-402-0018	Drawing Type	ASSEMBLY
		Revision.	B

