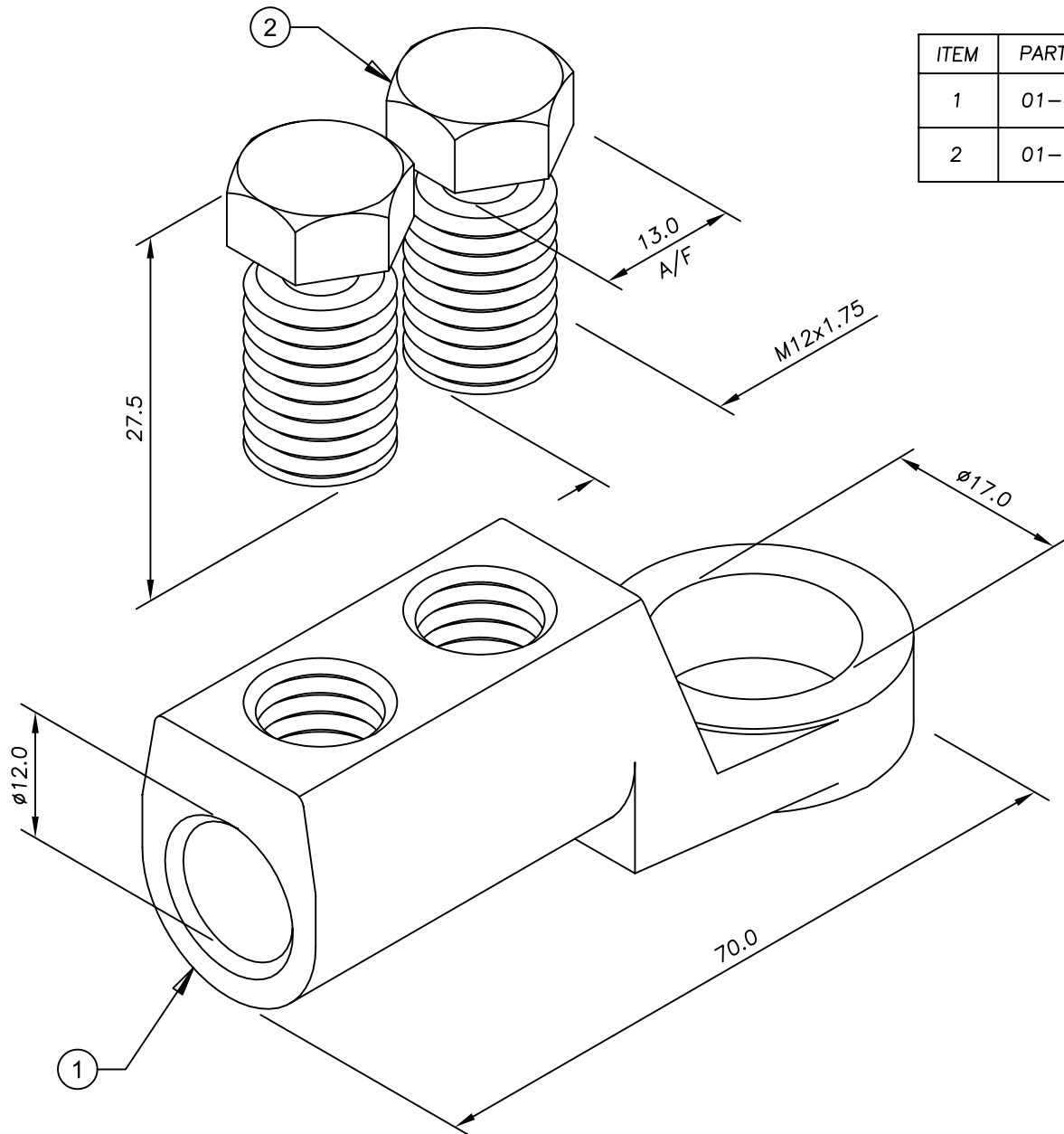


ITEM	PART/DRG NO.	QTY.	DESCRIPTION
1	01-402-0081	1	LV BRASS END TERMINATION BODY - Ø12.0 BORE - OFFSET PALM WITH Ø17.0 HOLE
2	01-700-0042	2	M12x1.75 13 A/F 27.5 LONG BRASS SINGLE-SHEAR BOLT



Issued to: Commercial      Quality      Stores      Production

**tyco**  
Electronics  
Energy Division

**B&H**  
Middlemore Lane West,  
Redhouse Ind. Est. Aldridge,  
West Midlands WS9 8EA  
Phone: +44(0)1922 744144  
Fax: +44(0)1922 744150

Material VARIES  
Finish NATURAL  
Tolerances (UOS) ±0.3  
Remove all Burrs and Sharp Edges  
All Threads to BS3643 Pt 2

IF IN DOUBT ASK! - DO NOT SCALE

Part Description  
LV BRASS END TERMINATION - Ø12.0 BORE - OFFSET  
PALM WITH Ø17.0 HOLE & M12 13 A/F SHEAR BOLTS

B	PART No WAS BET60-16, DRG No WAS E18-B01-A05	S.P.W	22.1.02
A	FIRST ISSUE	S.P.W	7.12.00
Revision	Description	Name	Date
Design/Drawn	S.P.WEST	Date	7 DEC 2000
		Scale (UOS)	1.5:1
Checked by	Approved by		
Drawing/Part No.	Drawing Type		
	02-402-0012	ASSEMBLY	Revision. B