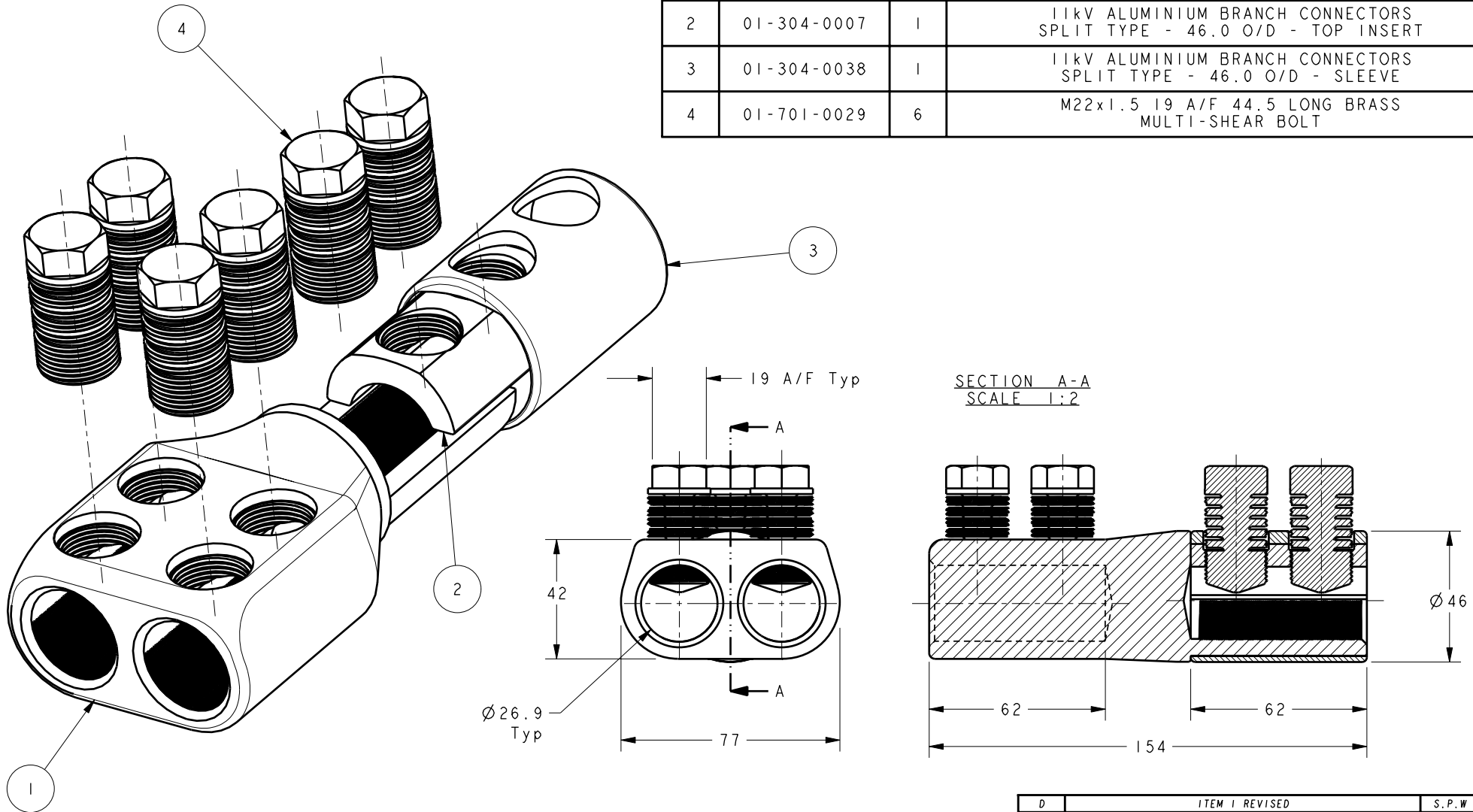


ITEM	PART/DRG NO	QTY	DESCRIPTION
1	01-304-0004	1	11kV ALUMINIUM BRANCH CONNECTOR BODY SPLIT TYPE - 26.9 I/D
2	01-304-0007	1	11kV ALUMINIUM BRANCH CONNECTORS SPLIT TYPE - 46.0 O/D - TOP INSERT
3	01-304-0038	1	11kV ALUMINIUM BRANCH CONNECTORS SPLIT TYPE - 46.0 O/D - SLEEVE
4	01-701-0029	6	M22x1.5 19 A/F 44.5 LONG BRASS MULTI-SHEAR BOLT



D	ITEM 1 REVISED	S.P.W	17.7.03
C	TITLE BLOCK REVISED, B&H SHORT DESC. ADDED	S.P.W	13.8.02
B	PART No WAS HVBRM22SPUTC, DRG No WAS B19-A02-A02	S.P.W	11.4.02
A	FIRST ISSUE	S.P.W	15.8.00
Revision	Description	Name	Date
Design/Drawn	S.P.WEST	Date	15-Aug-00
Scale	2:3	(UOS)	
Checked by	Approved by		
Drawing/Part No.	Drawing Type		
02-304-0030	ASSEMBLY		
		Revision D	

Issued to: Commercial	Quality	Stores	Production
IF IN DOUBT ASK - DO NOT SCALE			
		<b>11kV ALUMINIUM BRANCH CONNECTOR</b> <b>SPLIT TYPE - 26.9 I/D</b>	
Tyco Electronics UK Ltd Aldridge Site Middlemore Lane West Aldridge West Midlands WS9 8EA Phone: +44(0)1922 743993 Fax: +44(0)1922 744150		Material <b>VARIES</b> Finish <b>NATURAL</b> Tolerances (UOS) $\pm$ - B&H Short Desc. <b>HVBRM22SPUTC</b>	