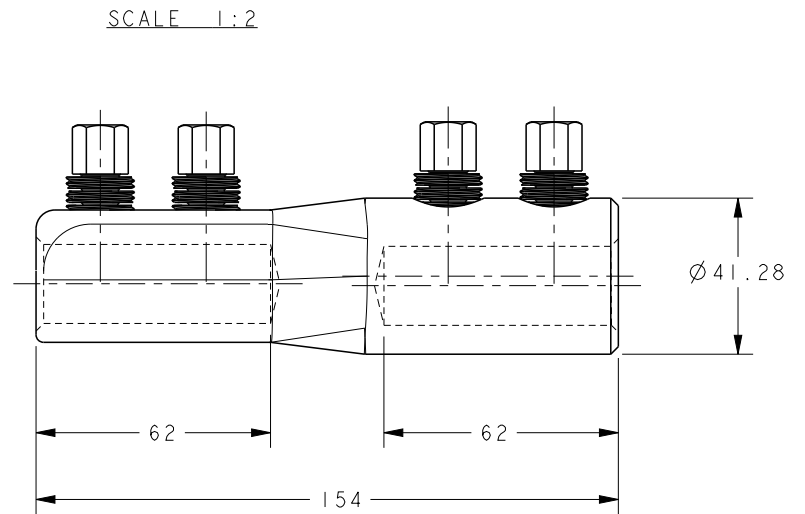
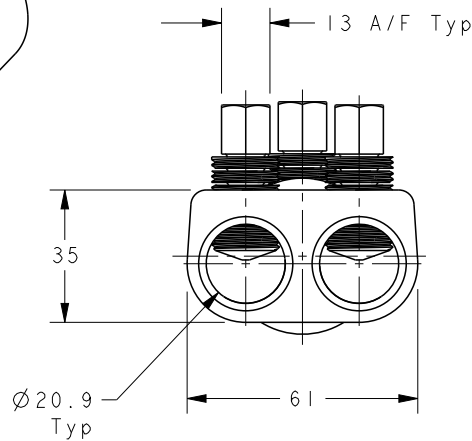
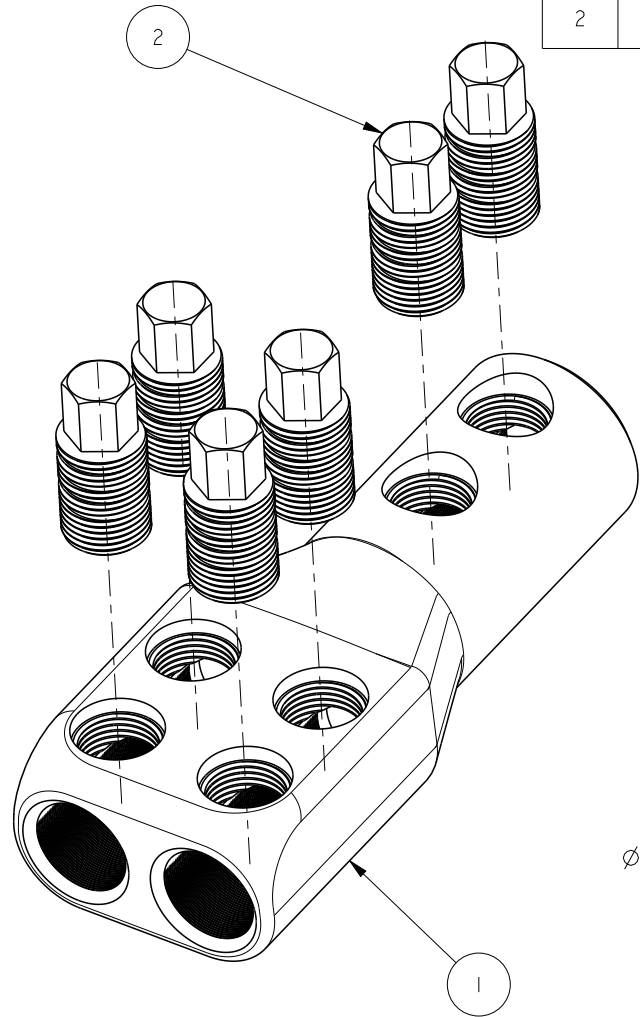


ITEM	PART/DRG NO	TCPN DESCRIPTION	QTY	DESCRIPTION
1	425678-000	BAH-013040009	1	11kV ALUMINIUM BRANCH CONNECTOR BODY SOLID TYPE - 20.9 I/D
2	622252-000	BAH-017010010	6	M18x1.5 12.8 A/F 41.0 LONG BRASS MULTI-SHEAR BOLT



BREAK SHARP EDGES & DEBURR, SURFACES TO BE FREE FROM SCRATCHES & DEFECTS. MACHINED SURFACES TO BE 3.2µm Ra OR BETTER (UOS). ALL OIL & GREASE etc TO BE REMOVED. ALL THREADS TO BS3643 PART 2.

MACHINED SURFACES UNLESS OTHERWISE SPECIFIED TO BE :

0.10mm	0.05mm/cm
0.015mm/cm	0.015mm/cm



Material	VARIES
Finish	NATURAL
Tolerances (UOS)	±
B&H Short Desc.	HVBRM18SOUTC

- IF IN DOUBT ASK - DO NOT SCALE -	
Part Description	
11kV ALUMINIUM BRANCH CONNECTOR SOLID TYPE - 20.9 I/D	

E	HEX BOLT HEAD REDUCED AS PER ECR	SD/DMR-GC-0020	21 JAN 21
D	ITEM 1 REVISED	S.P.W	14.7.03
C	TITLE BLOCK REVISED, B&H SHORT DESCRIPTION ADDED	S.P.W	13.8.02
B	PART No WAS HVBRM18SOUTC, DRG No WAS B19-A01-A01	S.P.W	9.4.02
A	FIRST ISSUE	S.P.W	14.8.00
Revision	Description	Name	Date
Design/Drawn	S.P.WEST	Date	14-Aug-00
		Scale (UOS)	2:3
TCPN	153912-000	Part Weight	
Drawing/Part No	BAH-023040010	Drawing Type	CUSTOMER DRAWING
			THIRD ANGLE PROJECTION
			A4
			Rev E

THIS DRAWING IS COPYRIGHT AND IS ISSUED ON THE STRICT UNDERSTANDING THAT IT IS NOT REPRODUCED, COPIED OR DISCLOSED TO A THIRD PARTY WITHOUT THE CONSENT IN WRITING OF TYCO ELECTRONICS UK LTD