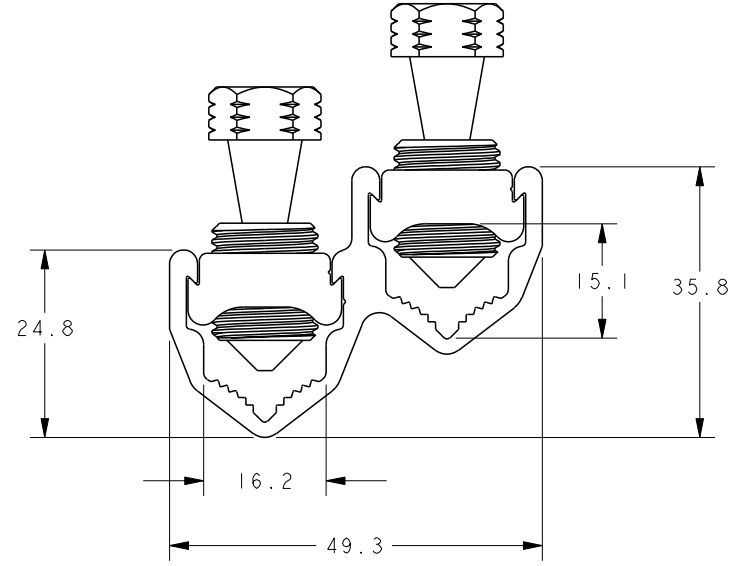
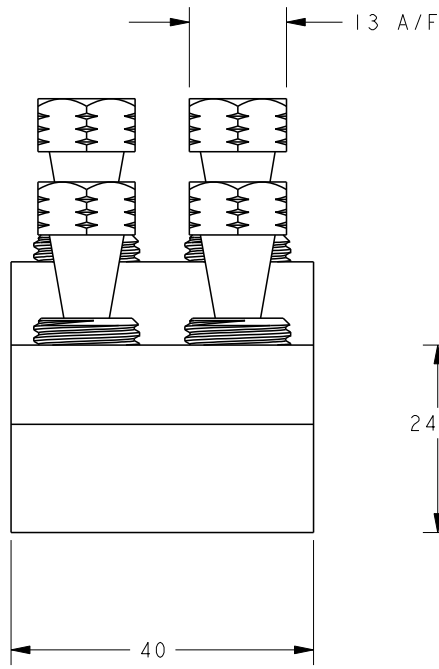
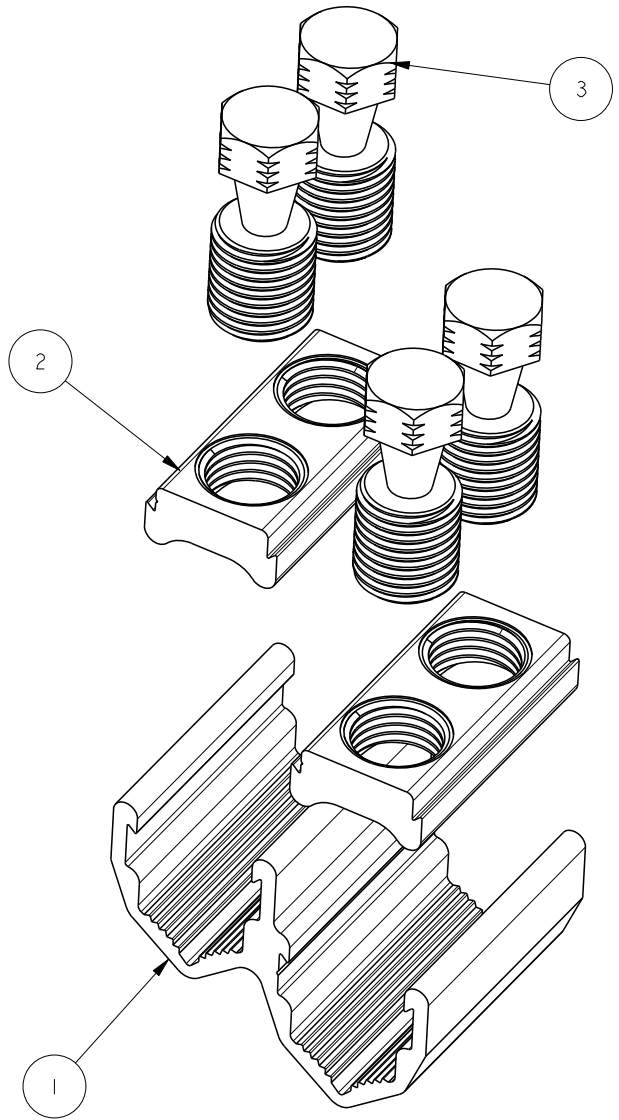


ITEM	PART/DRG NO	QTY	DESCRIPTION
1	01-300-0003	1	UNIVERSAL 95mm ² BRANCH BOTTOM INSERT (4 BOLT)
2	01-710-0019	2	UNIVERSAL 95mm ² TOP INSERT (2 BOLT)
3	BAH-017000152	4	M14x1.5 13 A/F 37.5 LONG ALUMINIUM SINGLE-SHEAR FLAT TIP BOLT



E	BAH-017000152 REPLACED BAH-017000056	BH-01100	30/06/15
D	PART No WAS UBRO95-2, DRG No WAS B02-A00-A01	S.P.W	24.8.01
C	EXTRUSION REVISED - ITEM 1 & 3	S.P.W	1.3.01
B	PART No REVISED	S.P.W	26.6.00
A	FIRST ISSUE	S.P.W	45.00
Revision	Description	Name/DMR	Date



Material	VARIES
Finish	VARIES
Tolerances (UOS)	-
BGH Short Desc.	UBRO95

- IF IN DOUBT ASK - DO NOT SCALE -

**UNIVERSAL 95mm² BRANCH CONNECTOR
(4 BOLT)**

Design/Drawn	S.P.WEST	Date	04-MAY-00	Scale (UOS)	1:1	 THIRD ANGLE PROJECTION	A4
TCPN	733472-000	Part Weight	97.91g				
Drawing/Part No	BAH-023000001	Drawing Type	CUSTOMER	Rev	E		

REMOVE ALL BURRS AND SHARP EDGES - SURFACES TO BE FREE FROM SCRATCHES AND DEFECTS - ALL THREADS TO BS3643 PT 2

© 2015 TYCO ELECTRONICS UK LTD, WITHAM, UK