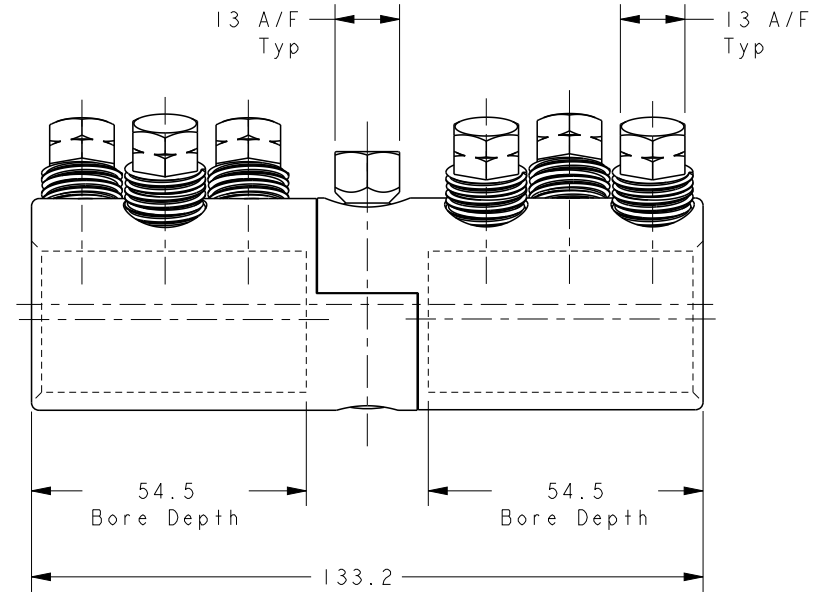
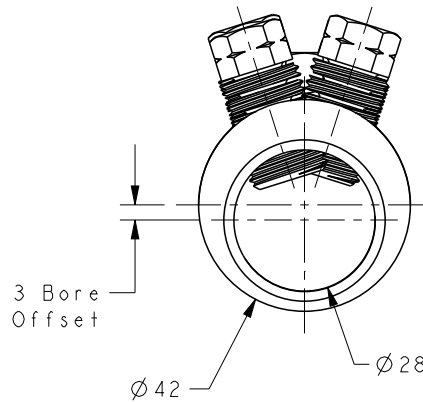
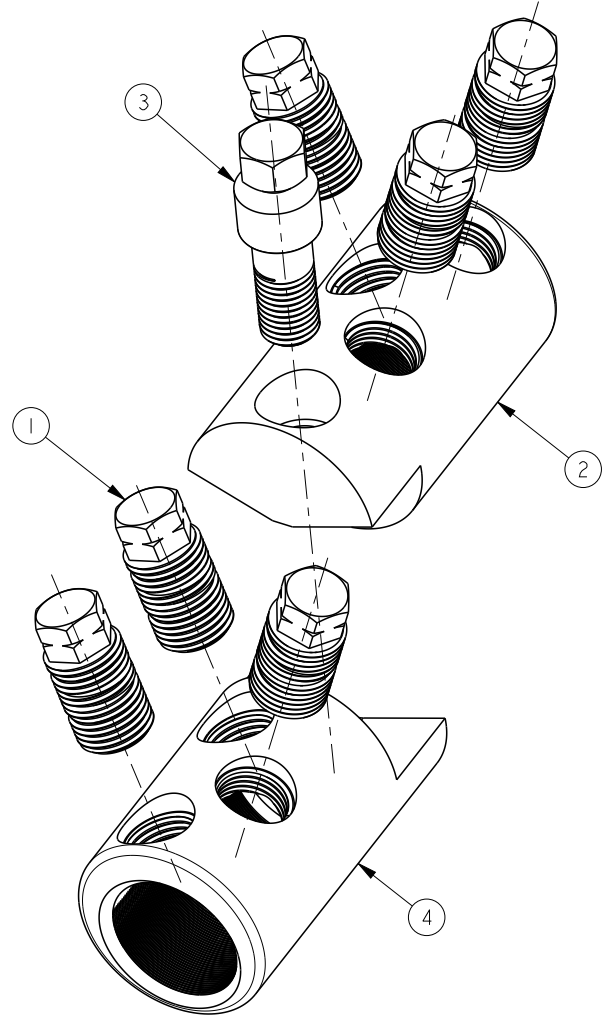


ITEM	PART/DRG NO	TCPN DESCRIPTION	QTY	DESCRIPTION
1	528010-000	BAH-017010035	6	M16x1.5 12.8 A/F 31.5 LONG BRASS MULTI-SHEAR BOLT
2	A13958-000	BAH-012110096	1	33kV ALUMINIUM STRAIGHT VEE TYPE CONNECTOR BODY - 42.0 O/D 28.0 I/D COUNTERBORED HALF
3	F37140-000	BAH-017020029	1	M12x1.5 12.8 A/F 51 LONG ALUMINIUM MID-BOLT
4	F84577-000	BAH-012110097	1	33kV ALUMINIUM STRAIGHT VEE TYPE CONNECTOR BODY - 42.0 O/D 28.0 I/D THREADED HALF



BREAK SHARP EDGES & DEBURR, SURFACES TO BE FREE FROM SCRATCHES & DEFECTS. MACHINED SURFACES TO BE 3.2µm Ra OR BETTER (UOS). ALL OIL & GREASE etc TO BE REMOVED. ALL THREADS TO BS3643 PART 2.

MACHINED SURFACES UNLESS OTHERWISE SPECIFIED TO BE :

0.10mm	0.05mm/cm
0.015mm/cm	0.015mm/cm



Material	VARIES
Finish	VARIES
Tolerances (UOS)	±
B&H Short Desc.	VSTA28/42UTB

- IF IN DOUBT ASK - DO NOT SCALE -
Part Description
 33kV ALUMINIUM STRAIGHT VEE TYPE
 CONNECTOR - 42.0 O/D 28.0 I/D

D	HEX BOLT HEAD REDUCED AS PER ECR	BJ	10NOV2020
C	B&H SHORT DESCRIPTION ADDED	S.P.W	19.8.03
B	CONNECTOR BODY HALVES DIMENSIONALLY REVISED	S.P.W	18.6.03
A	FIRST ISSUE	S.P.W	10.7.02
Revision	Description	Name	Date
Design/Drawn	S.P.WEST	Date	10-Jul-02
Scale (UOS)	3		
TCPN	E71027-000	Part Weight	
Drawing/Part No	BAH-022110098	Drawing Type	ASSEMBLY/CUSTOMER
		THIRD ANGLE PROJECTION	A4
		Rev	D

THIS DRAWING IS COPYRIGHT AND IS ISSUED ON THE STRICT UNDERSTANDING THAT IT IS NOT REPRODUCED, COPIED OR DISCLOSED TO A THIRD PARTY WITHOUT THE CONSENT IN WRITING OF TYCO ELECTRONICS UK LTD