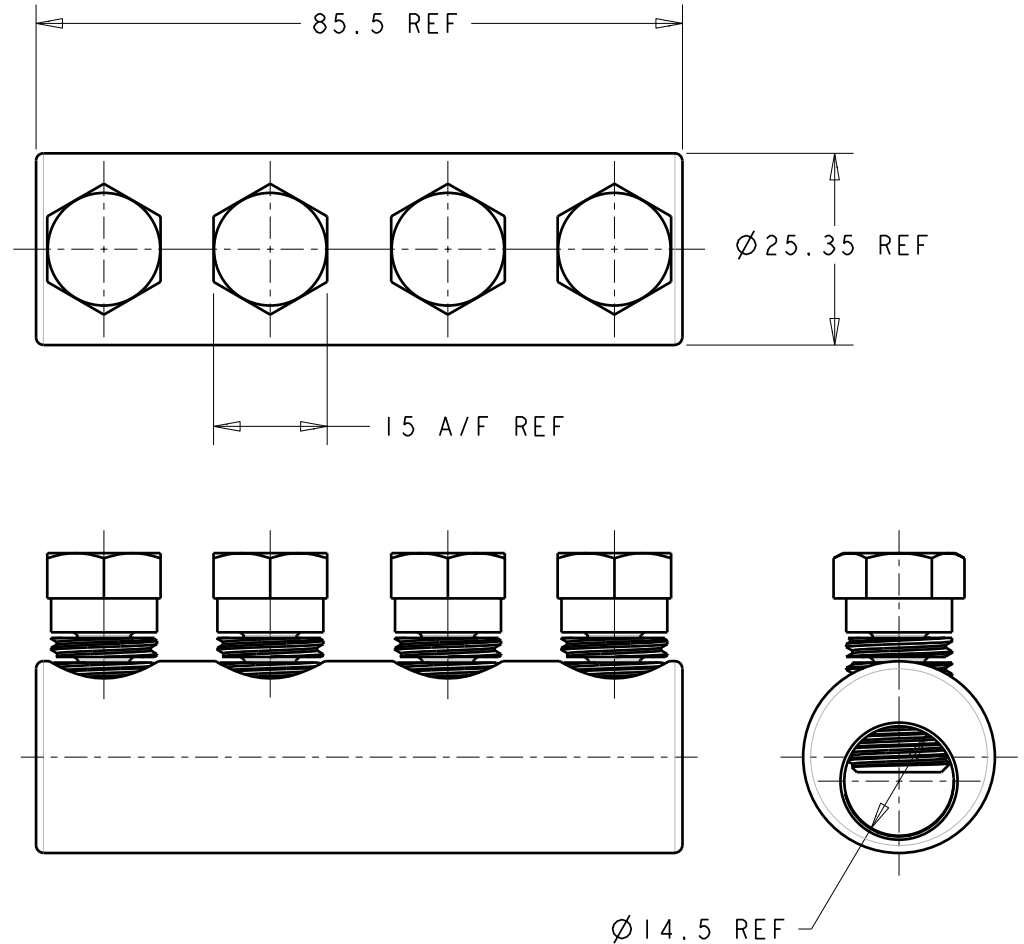



ITEM	PART/DRG NO	QTY	DESCRIPTION
1	01-208-0022	1	11kV ALUMINIUM STRAIGHT BLOCKED CONNECTOR BODY - GENERAL SERVICE 25.35 O/D 14.5 I/D
2	01-701-0009	4	M14x1.5 15 A/F 29.0 LONG BRASS MULTI-SHEAR BOLT




**Tyco Electronics**  
 Tyco Electronics UK Ltd, Freebournes Road,  
 Witham, Essex, CM8 3AH, UK.  
 Tel: +44 870 870 7500 Fax: +44 870 240 5289

Material	<b>VARIES</b>
Finish	<b>VARIES</b>
Tolerances (UOS)	-
B&H Short Desc.	<b>HVSTM1450/UTB</b>

Part Description - IF IN DOUBT ASK - DO NOT SCALE -  
**MV ALUMINIUM STRAIGHT BLOCKED CONNECTOR  
 GENERAL SERVICE 25.35 O/D 14.5 I/D**

A	FIRST ISSUE			BH-00504	22/08/08
Revision	Description			Name/DMR	Date
Design/Drawn	M DEAR	Date	22-Aug-08	Scale (UOS)	1:1
PCN/RPN No	295654-000	Checked/Approved by		 THIRD ANGLE PROJECTION	A4
Drawing/Part No	BAH-022090020	Drawing Type			
				ASSEMBLY/CUSTOMER	A

REMOVE ALL BURRS AND SHARP EDGES - SURFACES TO BE FREE FROM SCRATCHES AND DEFECTS - ALL THREADS TO BS3643 PT 2

© 2008 TYCO ELECTRONICS UK LTD, WITHAM, UK