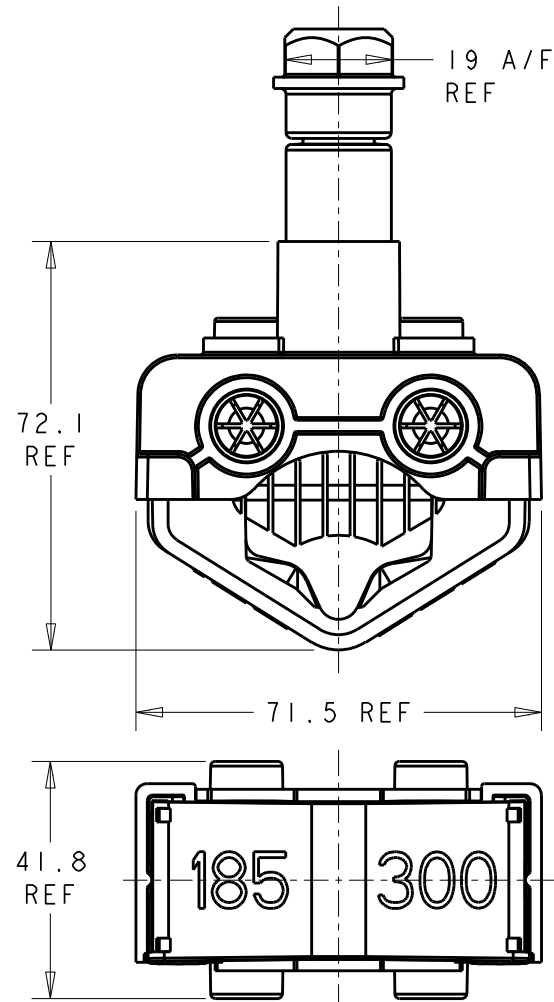
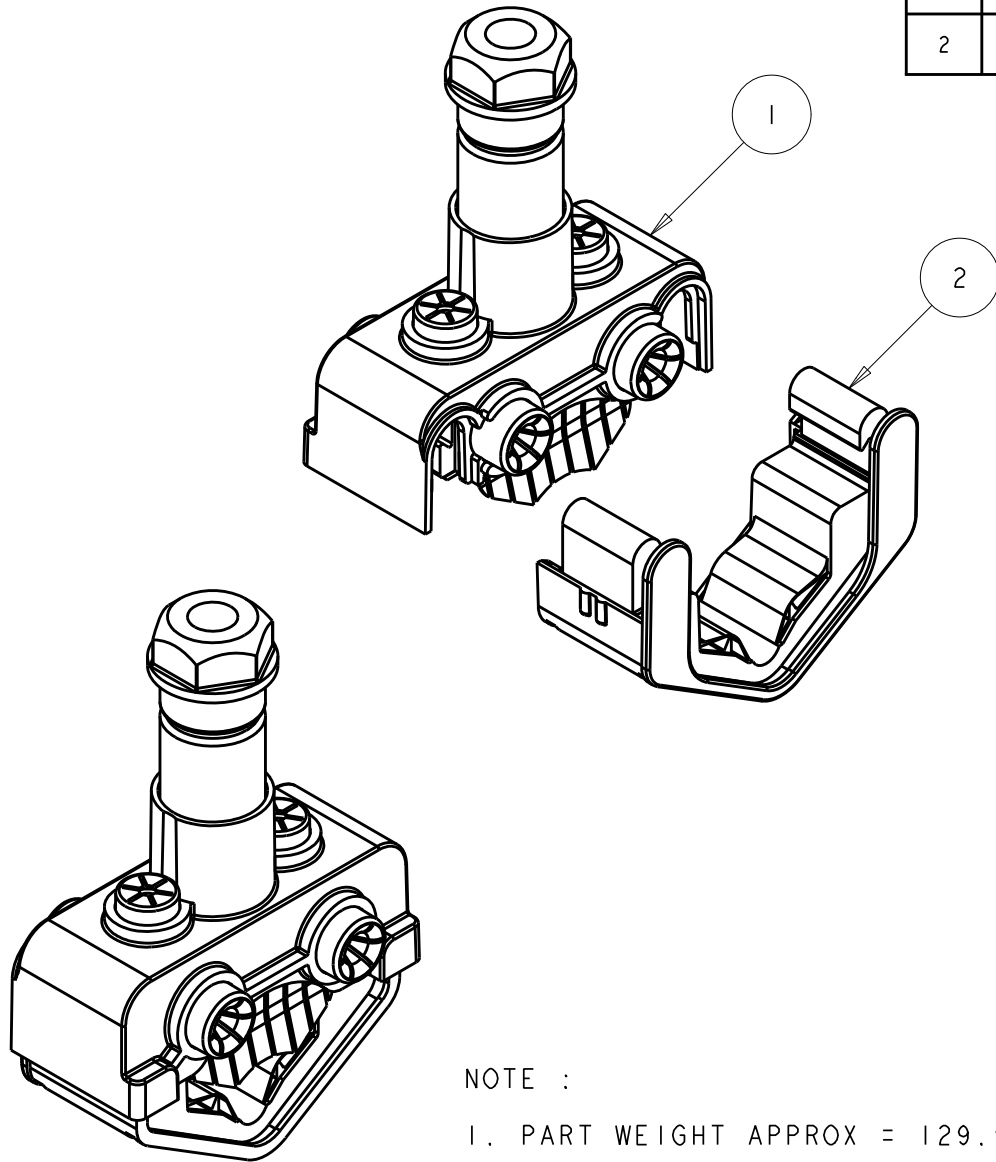


ITEM	PART/DRG NO	QTY	DESCRIPTION
1	BAH-021500035	1	IIPC185-300 TOP INSERT SUB-ASSEMBLY
2	BAH-021500037	1	IIPC185-300 BOTTOM INSERT SUB-ASSEMBLY



NOTE :
1. PART WEIGHT APPROX = 129.98g

C	DESCRIPTION CHANGE TO BAH-021500035	BH-00861	25/02/13
B	PICTORIAL CHANGE ONLY TO BAH-011500048	BH-00812	19/07/12
A	FIRST ISSUE	BH-00722	12/07/11
Revision	Description	Name/DMR	Date
Design/Drawn	D M EATON	Date	12-Jul-11
PCN/RPN No	CU8611-000	Scale (UOS)	3:4
Drawing/Part No	BAH-021500033	Checked/Approved by	ASSEMBLY/CUSTOMER
		THIRD ANGLE PROJECTION	Rev C



Material	VARIES
Finish	VARIES
Tolerances (UOS)	N/A
B&H Short Desc.	IIPC185-300

Part Description
- IF IN DOUBT ASK - DO NOT SCALE -
IIPC185-300 MAINS-SERVICE CONNECTOR ASSEMBLY

REMOVE ALL BURRS AND SHARP EDGES - SURFACES TO BE FREE FROM SCRATCHES AND DEFECTS - ALL THREADS TO BS3643 PT 2

© 2013 TYCO ELECTRONICS UK LTD, WITHAM, UK