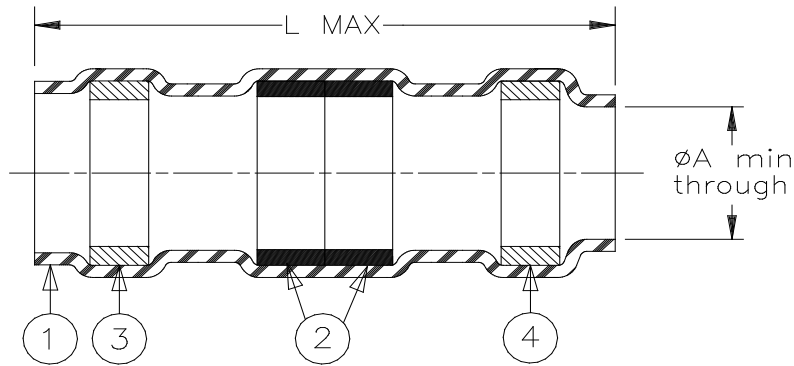


## CUSTOMER DRAWING



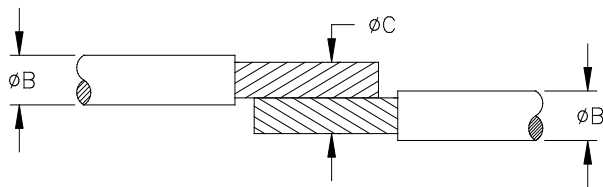
Part Name	Size Code Color	Selection Guide						Wire Dimensions		
		Product Dimensions		Wire Gauge AWG	Section mm <sup>2</sup>	Total CMA	Total mm <sup>2</sup>	B min	B max	C min
		A min	L max	min max	min max	min max	min max	B min	B max	C min
B-008-11	Clear	1.7 (0.065)	26.0 (1.025)	2x26 2x24	2x0.15 2x0.4	450 1500	0.2 0.75	0.76 (0.03)	1.5 (0.06)	1.0 (0.039)
B-008-13	Red	2.3 (0.090)	31.0 (1.220)	2x22 2x18	2x0.4 2x1	1250 4000	0.6 2.0	1.5 (0.060)	2.3 (0.090)	1.8 (0.070)
B-008-14	Blue	4.3 (0.170)	36.0 (1.420)	2x18 2x12	2x1 2x2.5	3600 5000	1.8 2.5	2.0 (0.080)	4.3 (0.170)	2.3 (0.090)
B-008-15	Yellow	6.8 (0.268)	42.0 (1.660)	2x12 2x10	2x3 2x5	4800 9000	2.4 4.5	3.4 (0.135)	6.8 (0.270)	3.7 (0.145)

### MATERIAL


- INSULATION SLEEVE: Heat-shrinkable, radiation cross-linked modified polyolefin. Transparent grey.
- SOLDER PREFORMS WITH FLUX: (Qty. 2 except for B-008-11Qty. 1).  
SOLDER: TYPE Cd18 per ANSI J-STD-006.  
FLUX: TYPE ROM1 per ANSI J-STD-004.
- & 4. MELTABLE RINGS: Thermally stabilized thermoplastic. Color: See Size Code.

### APPLICATION

- These controlled soldering devices are designed to splice tin plated or bare copper wires rated for at least +85°C.
- Temperature range: -55°C to +125°C.
- Splices will meet performance requirements of Raychem Specification D-5023 when installed per RPIP 850-00.



STRIP LENGTH: 12.5 (.5)

		<b>Raychem</b> THERMOFIT DEVICES	TITLE: <b>SOLDERSLEEVE* WIRE TO WIRE SPLICE, LOW TEMPERATURE</b>		
Unless otherwise specified dimensions are in millimeters. [Inches dimensions are shown in brackets]			DOCUMENT NO.: <b>B-008-1X</b>		
TOLERANCES: 0.00 N/A 0.0 N/A 0 N/A	ANGLES: N/A  ROUGHNESS IN MICRON	TE Connectivity reserves the right to amend this drawing at any time. Users should evaluate the suitability of the product for their application.	REV:  5	DATE:  04-May-2020	
DRAWN BY: R. MAPALO	DATE: 29-Jun-1998	ECO: ECO-20-006205	SCALE: NTS	SIZE: A	SHEET: 1 of 1

© 2020 TE Connectivity Ltd. Family of Companies. All Rights Reserved.

If this document is printed it becomes uncontrolled. Check for the latest revision.

\*TE Connectivity, TE connectivity (logo), Raychem, THERMOFIT, SolderSleeve are trademarks