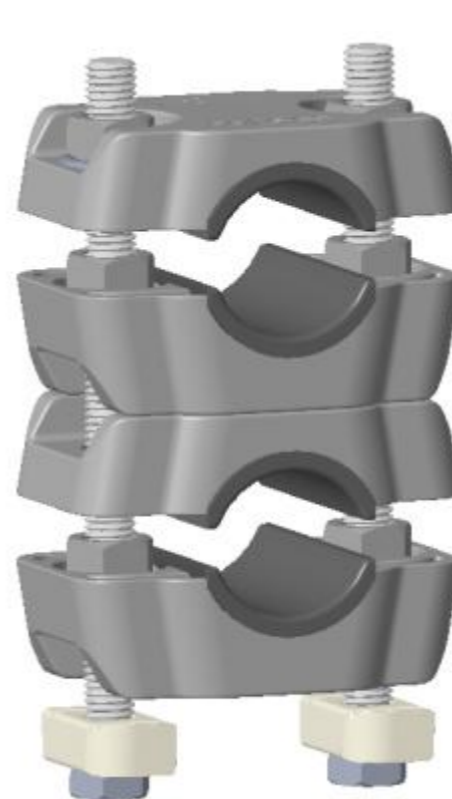
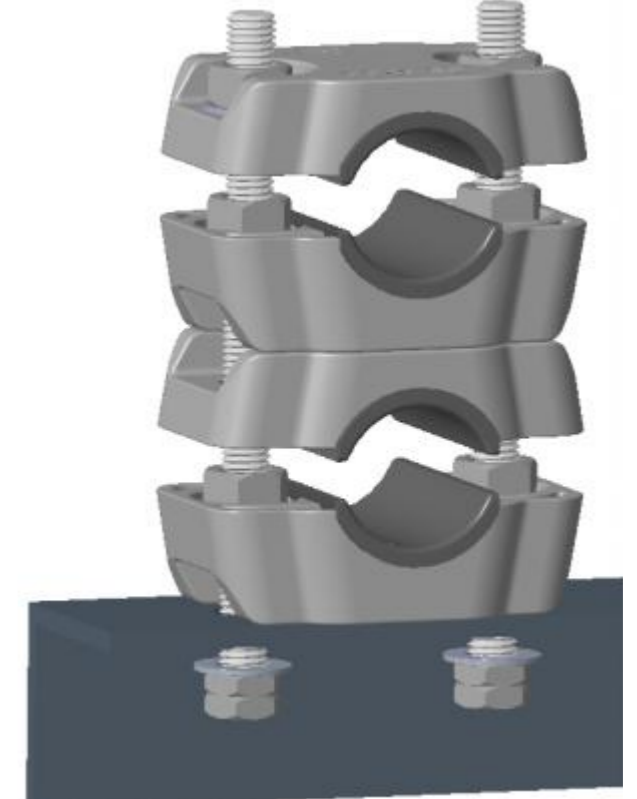


TCPN	CATALOGUE NO.	TYPE	A mm (inch)	B mm (inch)	C mm (inch)	D = MAX HEIGHT WITH MAX CABLE mm (inch)	MIN CABLE E mm (inch)	MAX CABLE F mm (inch)
ER7041-000	CC15-26-SN-DOUB	STRUT NUT	96 (3.78)	60 (2.36)	64 (2.52)	150 (5.9)	Ø15 (0.59)	Ø26 (1.02)
ER7042-000	CC15-26-FM-DOUB	FLAT MOUNT						
ER0007-000	CC26-38-SN-DOUB	STRUT NUT	96 (3.78)	60 (2.36)	64 (2.52)	170 (6.69)	Ø26 (1.02)	Ø38 (1.5)
ER0008-000	CC26-38-FM-DOUB	FLAT MOUNT						
ER0015-000	CC38-50-SN-DOUB	STRUT NUT	114 (4.49)	60 (2.36)	80 (3.15)	210 (8.27)	Ø38 (1.5)	Ø50 (1.97)
ER0016-000	CC38-50-FM-DOUB	FLAT MOUNT						
ER0023-000	CC50-75-SN-DOUB	STRUT NUT	136 (5.35)	65 (2.56)	100 (3.93)	255 (10.04)	Ø50 (1.97)	Ø75 (2.95)
ER0024-000	CC50-75-FM-DOUB	FLAT MOUNT						
ER0031-000	CC75-100-SN-DOUB	STRUT NUT	164 (6.45)	70 (2.76)	126 (4.96)	305 (12.00)	Ø75 (2.95)	Ø100 (3.93)
ER0032-000	CC75-100-FM-DOUB	FLAT MOUNT						
ER0038-000	CC100-135-SN-DOUB	STRUT NUT	200 (7.87)	80 (3.15)	160 (6.30)	350 (13.78)	Ø100 (3.93)	Ø135 (5.31)
ER0039-000	CC100-135-FM-DOUB	FLAT MOUNT						
ER7043-000	CC15-26-SN-TRIP	STRUT NUT	96 (3.78)	60 (2.36)	64 (2.52)	255 (10.04)	Ø15 (0.59)	Ø26 (1.02)
ER0009-000	CC26-38-SN-TRIP	STRUT NUT	96 (3.78)	60 (2.36)	64 (2.52)	225 (8.86)	Ø26 (1.02)	Ø38 (1.5)
ER0017-000	CC38-50-SN-TRIP	STRUT NUT	114 (4.49)	60 (2.36)	80 (3.15)	305 (12.00)	Ø38 (1.5)	Ø50 (1.97)
ER0025-000	CC50-75-SN-TRIP	STRUT NUT	136 (5.35)	60 (2.36)	100 (3.93)	385 (15.16)	Ø50 (1.97)	Ø75 (2.95)



STRUT NUT VERSION- DOUBLE



FLAT MOUNT VERSION- DOUBLE

LOC	—	A1	'D' DIMENSIONS UPDATED	31/08/22	JS	RN	IMPLIED NOTES BURRS AND SHARP EDGES REMOVED SCREW THREADS ARE TO AS 1275 DO NOT WORK TO DIMS MARKED REF SURFACE FINISH 6.3 U.N.O. DIMS ARE IN mm. DO NOT SCALE	IMPLIED TOLERANCES HOLE DIA AND LOCATIONS: ±0.5mm. DIMENSIONS UP TO 30mm: ±1.5mm. DIMENSIONS OVER 30mm: ±5% UP TO A MAX OF: ±5mm. ANGULAR DIMENSIONS: ±5°	TCPN REFER TABLE	TITLE CABLE CLEATS CUSTOMER DRAWING- SINGLE CLEAT DOUBLE AND TRIPLE STACKED	
DIST	—	A	CC15-26 STACKED SN AND FM DIMENSIONS ADDED	27/01/22	JS	RN			Cat No REFER TABLE	DRAWN JS CHECKED SC DATE 15/04/21 APPROVED RN	TE Connectivity 2/3 Corella Close Berkeley Vale NSW 2261 Australia
POS	REV	REVISION RECORD		DATE	DWN	APVD	MATERIAL NO	MATL SPEC/STD/DRG NO	PROCESS SPEC HEAT TREAT/PLATING NO	SIZE A3 PROJECTION 3RD ANGLE SCALE 1:2 DRAWING NO AU35108	SHEET 1 OF 1 REV A1