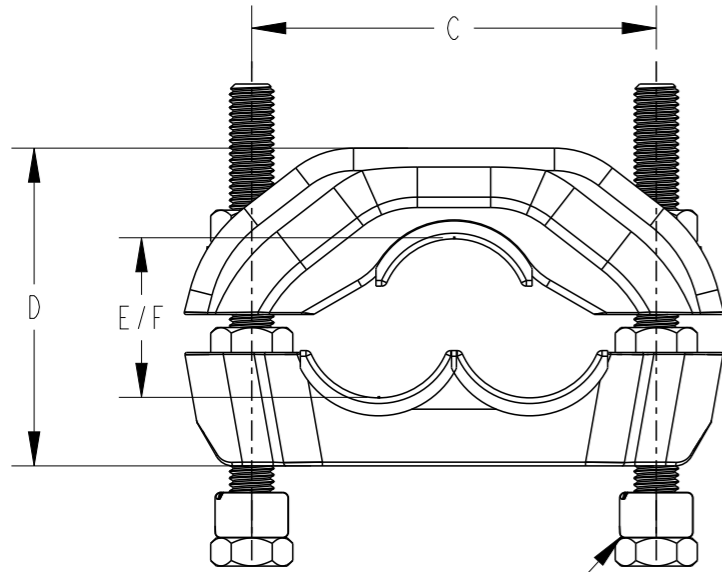
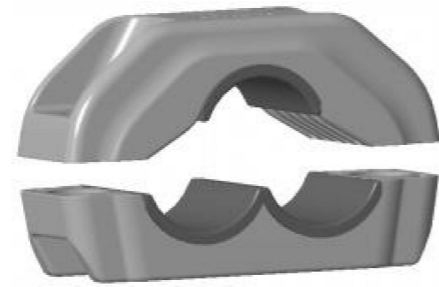


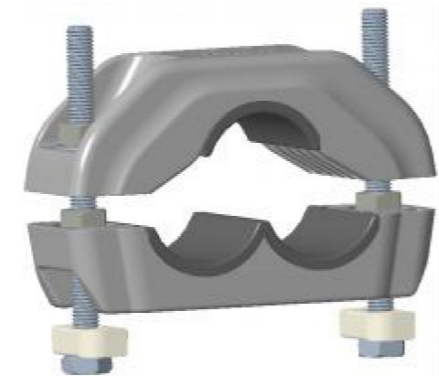
CCTXX-XX CABLE CLEATS ONLY



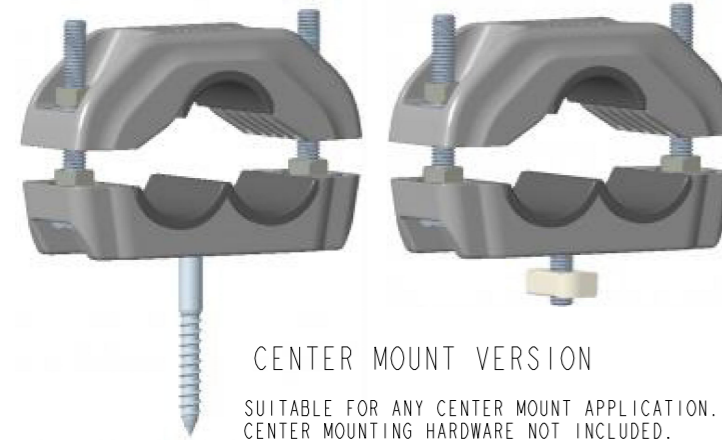
CCTXX-XX-INS CLEATS WITH INSERTS



STRUT NUT IS FOR REPRESENTATION PURPOSES ONLY

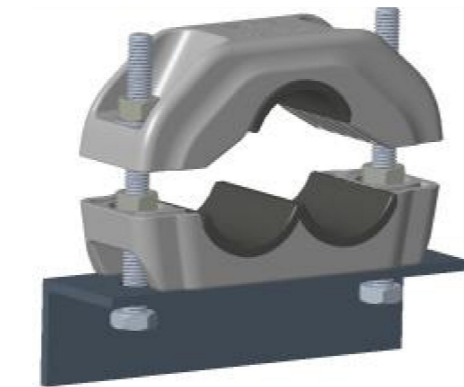


STRUT NUT VERSION



CENTER MOUNT VERSION

SUITABLE FOR ANY CENTER MOUNT APPLICATION. CENTER MOUNTING HARDWARE NOT INCLUDED.



FLAT MOUNT VERSION

TCPN	CATALOGUE NO.	TYPE	A mm (inch)	B mm (inch)	C mm (inch)	D = MAX HEIGHT WITH MAX CABLE mm (inch)	MIN CABLE E mm (inch)	MAX CABLE F mm (inch)
ER0070-000	CCT26-38	CABLE CLEATS ONLY	143 (5.63)	60 (2.36)	107 (4.21)	-	Ø27 (1.06)	Ø42 (1.65)
ER0071-000	CCT26-38-INS	CLEATS WITH INSERTS	143 (5.63)	60 (2.36)	107 (4.21)	115 (4.53)	Ø26 (1.02)	Ø38 (1.50)
ER0074-000	CCT26-38-SN	STRUT NUT						
ER0075-000	CCT26-38-FM	FLAT MOUNT						
ER0076-000	CCT26-38-CM	CENTER MOUNT						
ER0077-000	CCT38-50	CABLE CLEATS ONLY	173 (6.81)	60 (2.36)	139 (5.47)	-	Ø39 (1.53)	Ø54 (2.12)
ER0078-000	CCT38-50-INS	CLEATS WITH INSERTS	173 (6.81)	60 (2.36)	139 (5.47)	140 (5.51)	Ø38 (1.5)	Ø50 (1.97)
ER0079-000	CCT38-50-SN	STRUT NUT						
ER0080-000	CCT38-50-FM	FLAT MOUNT						
ER0081-000	CCT38-50-CM	CENTER MOUNT						
ER0082-000	CCT50-63	CABLE CLEATS ONLY	199 (7.83)	65 (2.56)	163 (6.42)	-	Ø54 (2.12)	Ø67 (2.63)
ER0083-000	CCT50-63-INS	CLEATS WITH INSERTS	199 (7.83)	65 (2.56)	163 (6.42)	160 (5.90)	Ø50 (1.97)	Ø63 (2.48)
ER0084-000	CCT50-63-SN	STRUT NUT						
ER0085-000	CCT50-63-FM	FLAT MOUNT						
ER0086-000	CCT50-63-CM	CENTER MOUNT						
ER0087-000	CCT63-75	CLEATS WITH INSERTS	223 (8.78)	65 (2.56)	187 (7.36)	-	Ø67 (2.63)	Ø79 (3.11)
ER0088-000	CCT63-75-INS	CABLE CLEATS ONLY	223 (8.78)	65 (2.56)	187 (7.36)	170 (6.69)	Ø63 (2.48)	Ø75 (2.95)
ER0089-000	CCT63-75-SN	STRUT NUT						
ER0090-000	CCT63-75-FM	FLAT MOUNT						
ER0091-000	CCT63-75-CM	CENTER MOUNT						

LOC							IMPLIED NOTES BURRS AND SHARP EDGES REMOVED SCREW THREADS ARE TO AS 1275 DO NOT WORK TO DIMS MARKED REF SURFACE FINISH 6.3 U.N.O. DIMS ARE IN mm. DO NOT SCALE	IMPLIED TOLERANCES HOLE DIA AND LOCATIONS: ±0.5mm. DIMENSIONS UP TO 30mm: ±1.5mm. DIMENSIONS OVER 30mm: ±5% UP TO A MAX OF: ±5mm. ANGULAR DIMENSIONS: ±5°	TCPN REFER TABLE PART Alias UTX/DUL	TITLE CABLE CLEATS CUSTOMER DRAWING- TREFOIL				
DIST	AI	DIMENSION 'D' UPDATED	30/08/22	JS	RN		MATERIAL DESC -		Cat No REFER TABLE	DRAWN JS	DATE 13/01/21	TE Connectivity 2/3 Corella Close Berkeley Vale NSW 2261 Australia		
POS	I	NEW RELEASE	13/01/21	JS	RN		MATERIAL NO -	MATL SPEC/STD/DRG NO -	PROCESS SPEC HEAT TREAT/PLATING NO -	CHECKED SC	APPROVED RN		DRAWING NO AU34997	SHEET OF 1 1