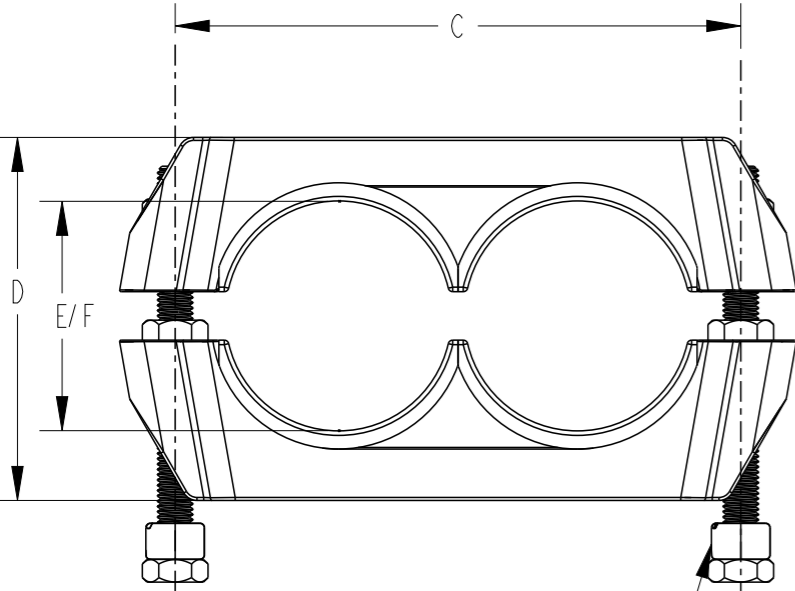
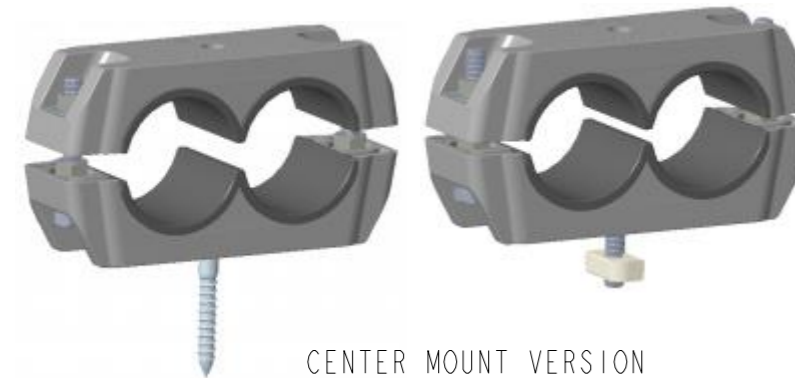


CCDXX-XX CABLE CLEATS ONLY



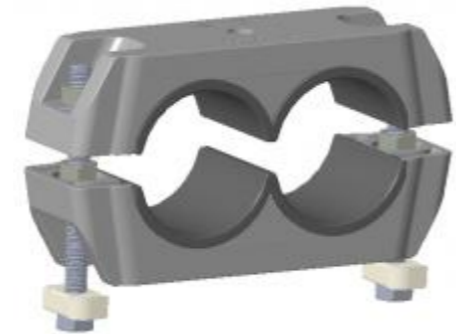
CCDXX-XX-INS CLEATS WITH INSERTS

STRUT NUT IS FOR REPRESENTATION PURPOSES ONLY



CENTER MOUNT VERSION

SUITABLE FOR ANY CENTER MOUNT APPLICATION. CENTER MOUNTING HARDWARE NOT INCLUDED.



STRUT NUT VERSION



FLAT MOUNT VERSION

TCPN	CATALOGUE NO.	TYPE	A mm (inch)	B mm (inch)	C mm (inch)	D = MAX HEIGHT WITH MAX CABLE mm (inch)	MIN CABLE E mm (inch)	MAX CABLE F mm (inch)
ER6437-000	CCD15-26-INS	CLEATS WITH INSERTS	143 (5.63)	60 (2.36)	107 (4.21)	75 (2.95)	Ø15 (0.59)	Ø26 (1.02)
ER6438-000	CCD15-26-SN	STRUT NUT						
ER6439-000	CCD15-26-FM	FLAT MOUNT						
ER6440-000	CCD15-26-CM	CENTER MOUNT						
ER0040-000	CCD26-38	CABLE CLEATS ONLY	143 (5.63)	60 (2.36)	107 (4.21)	-	Ø30 (1.18)	Ø42 (1.65)
ER0041-000	CCD26-38-INS	CLEATS WITH INSERTS						
ER0042-000	CCD26-38-SN-M10	STRUT NUT-M10						
ER0043-000	CCD26-38-SN	STRUT NUT						
ER0044-000	CCD26-38-FM	FLAT MOUNT	173 (6.81)	60 (2.36)	139 (5.47)	-	Ø42 (1.65)	54 (2.12)
ER0045-000	CCD26-38-CM	CENTER MOUNT						
ER0048-000	CCD38-50	CABLE CLEATS ONLY						
ER0049-000	CCD38-50-INS	CLEATS WITH INSERTS						
ER0050-000	CCD38-50-SN	STRUT NUT	173 (6.81)	60 (2.36)	139 (5.47)	90 (3.54)	Ø38 (1.5)	50 (1.97)
ER0051-000	CCD38-50-FM	FLAT MOUNT						
ER0052-000	CCD38-50-CM	CENTER MOUNT						
ER0055-000	CCD50-63	CABLE CLEATS ONLY						
ER0056-000	CCD50-63-INS	CLEATS WITH INSERTS						
ER0058-000	CCD50-63-SN	STRUT NUT						
ER0059-000	CCD50-63-FM	FLAT MOUNT						
ER0060-000	CCD50-63-CM	CENTER MOUNT	223 (8.78)	65 (2.56)	187 (7.36)	-	Ø67 (2.63)	79 (3.11)
ER0063-000	CCD63-75	CABLE CLEATS ONLY						
ER0064-000	CCD63-75-INS	CLEATS WITH INSERTS						
ER0065-000	CCD63-75-SN	STRUT NUT						
ER0066-000	CCD63-75-FM	FLAT MOUNT	223 (8.78)	65 (2.56)	187 (7.36)	120 (4.72)	Ø63 (2.48)	75 (2.95)
ER0067-000	CCD63-75-CM	CENTER MOUNT						

LOC	A2	CCD26-38-SN-M10 DIMENSIONS ADDED AND 'D' DIMENSIONS UPDATED	30/08/22	JS	RN	IMPLIED NOTES BURRS AND SHARP EDGES REMOVED SCREW THREADS ARE TO AS 1275 DO NOT WORK TO DIMS MARKED REF SURFACE FINISH 6.3 U.N.O. DIMS ARE IN mm. DO NOT SCALE	IMPLIED TOLERANCES HOLE DIA AND LOCATIONS: ±0.5mm. DIMENSIONS UP TO 30mm: ±1.5mm. DIMENSIONS OVER 30mm: ±5% UP TO A MAX OF: ±5mm. ANGULAR DIMENSIONS: ±5°	TCPN REFER TABLE	TITLE CABLE CLEATS CUSTOMER DRAWING- DUAL						
	A1	15-26 DIMENSIONS ADDED	20/12/21	JS	RN			Cat No REFER TABLE	DRAWN JS	DATE 13/01/21	TE Connectivity 2/3 Corella Close Berkeley Vale NSW 2261 Australia				
DIST	I	NEW RELEASE	13/01/21	JS	RN	MATERIAL DESC -		CHECKED SC	APPROVED RN						
POS	REV	REVISION RECORD	DATE	DWN	APVD	MATERIAL NO -	MATL SPEC/STD/DRG NO -	PROCESS SPEC HEAT TREAT/PLATING NO -	SIZE A3	PROJECTION 3RD ANGLE	SCALE 1:1	DRAWING NO AU34996	SHEET 1	OF 1	REV A2