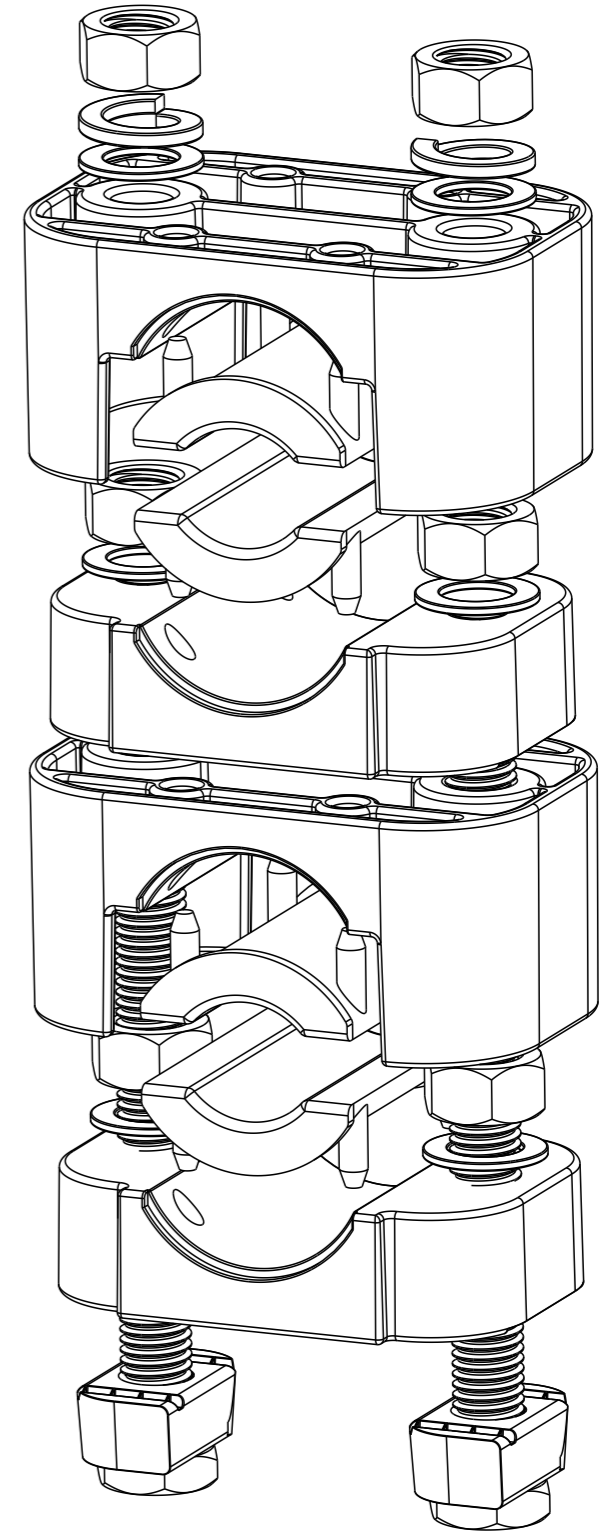
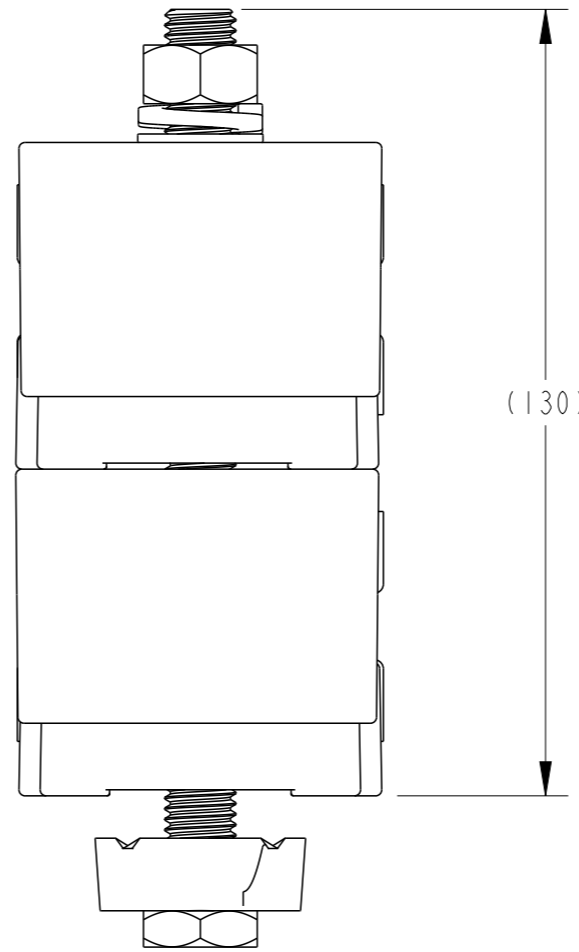
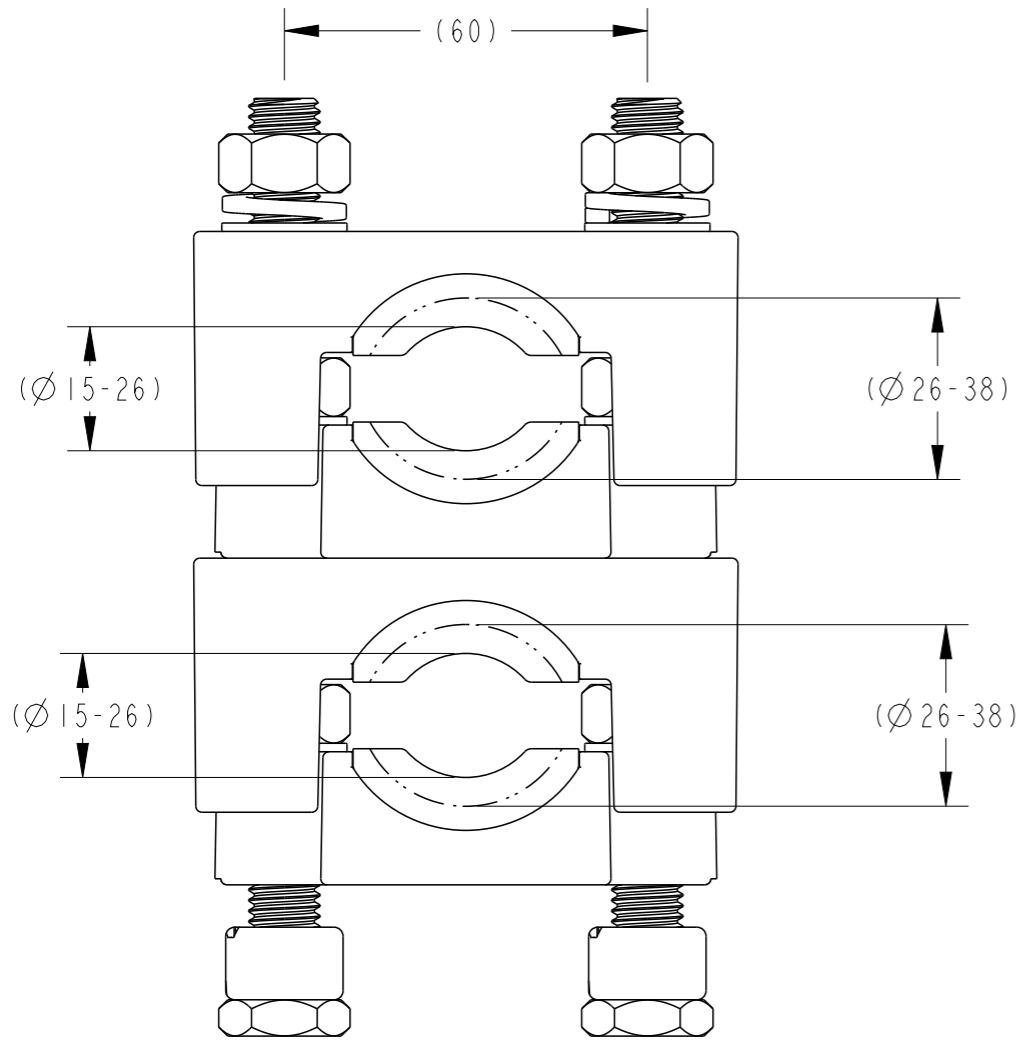


PART NO.	CATALOGUE NO.
EK1602-000	CC15-26-SN-M10-DOUB
EK1603-000	CC15-26-SN-M12-DOUB
EK1601-000	CC26-38-SN-M10-DOUB
EH7222-000	CC26-38-SN-M12-DOUB



LOC	REV	DESCRIPTION	DATE	DWN	APVD	MATERIAL NO	MATL SPEC/STD/DRG NO	PROCESS SPEC HEAT TREAT/PLATING NO	SIZE	PROJECTION	SCALE	DRAWING NO	SHEET	OF	REV
---	2	15-26 M10 & M12 AND 26-38 M10 PARTS ADDED	24/6/2016	DG	AT	-	-	-	A3	3RD ANGLE	4:5	AU34648	1	1	2
DIST	---	NEW RELEASE	01-02-2016	RN	AT	-	-	-	-	-	-	-	-	-	-
POS	REV	REVISION RECORD	DATE	DWN	APVD	MATERIAL NO	MATL SPEC/STD/DRG NO	PROCESS SPEC HEAT TREAT/PLATING NO	SIZE	PROJECTION	SCALE	DRAWING NO	SHEET	OF	REV

**IMPLIED NOTES**  
BURRS AND SHARP EDGES REMOVED  
SCREW THREADS ARE TO AS 1275  
DO NOT WORK TO DIMS MARKED REF  
SURFACE FINISH 6.3 U.N.O.  
DIMS ARE IN mm. DO NOT SCALE

**IMPLIED TOLERANCES**  
HOLE DIA AND LOCATIONS: ±0.5mm  
DIMENSIONS UP TO 30mm: ±1.5mm  
DIMENSIONS OVER 30mm: ±5%  
UP TO A MAX OF: ±5mm  
ANGULAR DIMENSIONS: ±5°

TCPN  
SEE TABLE  
PART Alias UTX/DUL  
SEE TABLE  
Cat No  
SEE TABLE

TITLE  
CABLE CLEAT 15-26 & 26-38  
STRUT NUT M10 & M12

DRAWN  
RN  
CHECKED  
RN  
DATE  
01-02-2016  
APPROVED  
AT



TE Connectivity  
2/3 Corella Close  
Berkeley Vale NSW 2261 Australia