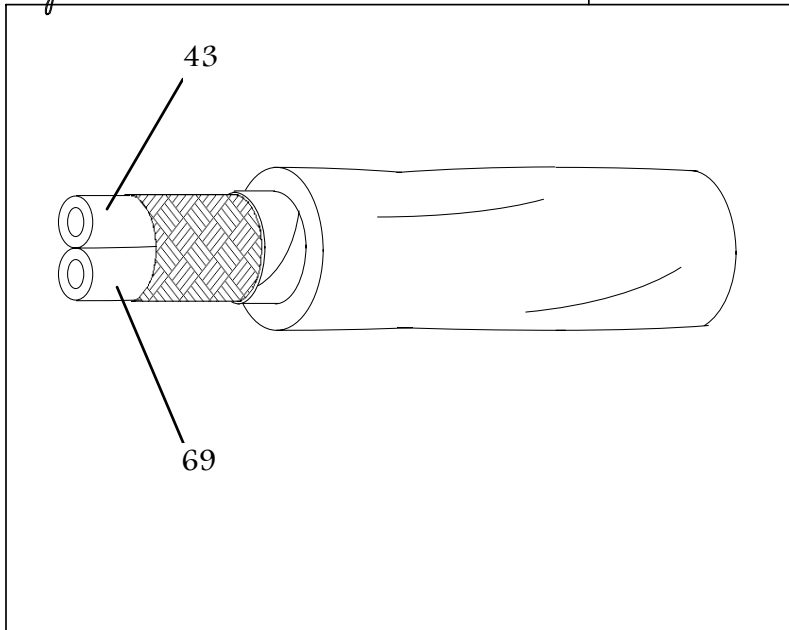


Product Construction: 2 Conductor Cable Shielded and Jacketed	ROHS Compliant Redrawn 29/08/07	Product Description ASC 107713	Issue A S' sedes
--	------------------------------------	--	---------------------

Designer John Boshier	Date 18/07/07	Product Manager Mike Kinsella-Dunlop	Date 19/07/07	Page 1 of 2
---------------------------------	-------------------------	--	-------------------------	----------------



Controlled Customer Copy
 YAZAKI (COM)
 PORTUGAL

Specifications
 Raychem WSD 1313 ①

The copyright in this drawing is the property of Tyco Electronics UK Limited. The drawing is issued on condition it is not copied, reproduced or disclosed to a third party either in whole or in part without prior written consent of Tyco Electronics UK Limited.

Layer Type / Operation	Component Details <i>Part Numbers refer to issue in effect at date of issue of this EPD.</i>	Nominal O.D. mm
Components: Wire	2 of ACW0219-0.50 Colours as above	
Cabling: Layer 1	2 of ACW0219-0.50	3.0
Shield: Braid	Bare Copper	3.6
Wrap:	P.E.T Adhesive backed tape	3.7
Jacket: Pressure Extrusion 1	ACJ - Black	4.3 +0.19 -0.25
	Copper Weight (information only) - 20 g/metre. *Compliance to this specification follows tests conducted on the material of the jacket owing to the impracticalities of testing a Mylar/Adhesive/Jacket laminate. ① CR07-DP-405 refers to change	
Maximum Surface Transfer Impedance	Notes	Calculated nom. weight (Kg/Km) 29

Lengths: Unless otherwise specified on your order this cable may be supplied in the following maximum number of continuous lengths:

Order Quantity (m) + One other length
 100

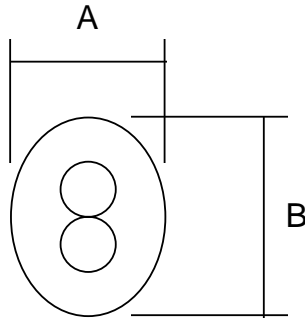
Tyco Electronics UK Ltd
 Faraday Road, Dorcan
 Swindon SN3 5HH
 Tel: (01793) 528171
 Telex: 449409

Registration Number:
 550926 London, England

Additional Routine Tests.

Circularity: 80% Min. measured as illustrated below.
 Strip Force: 120N Maximum. 50mm strip length.

Circularity Measurement



Calculate:

$$\frac{A}{B} \times 100$$

DESIGN	PROD. MAN.	TECHNICAL	MANUFACTURE
<i>[Signature]</i> 19/7/07.	<i>M. Kullu-Jay</i> 19th July 07	<i>[Signature]</i> 19th July '07	<i>[Signature]</i> 19 JUL 07

Lengths: Unless otherwise specified on your order this cable may be supplied in the following maximum number of continuous lengths:

Order Quantity (m)
100 + One other length

Tyco Electronics UK Ltd
 Faraday Road, Dorcan
 Swindon SN3 5HH
 Tel: (01793) 528171
 Telex: 449409

Registration Number:
 550926 London, England