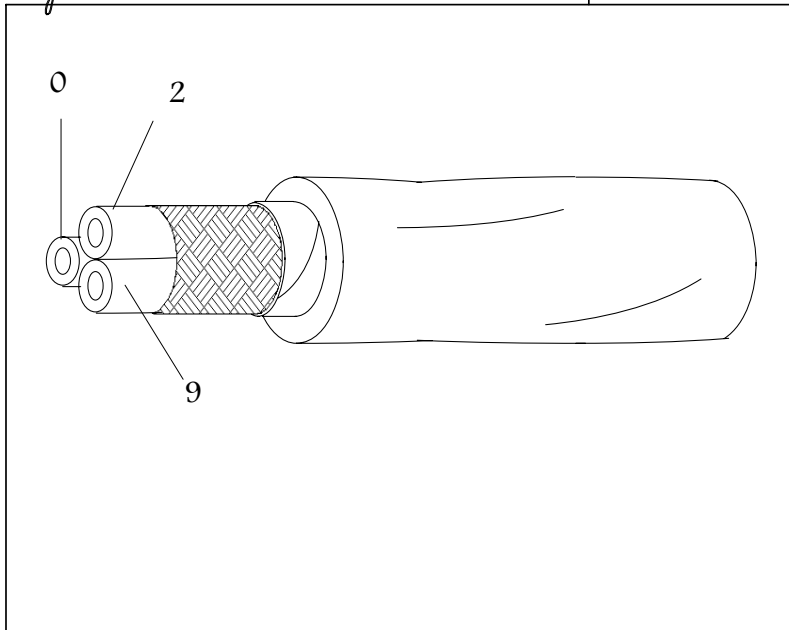


Product Construction: 3 Conductor Cable Shielded and Jacketed	ROHS Compliant Redrawn 15/08/07	Product Description ASC 107577	Issue A ① S'sedes
--	------------------------------------	--	----------------------

Designer John Boshier	Date 29/06/07	Product Manager Mike Kinsella-Dunlop	Date 29/06/07	Page 1 of 2
---------------------------------	-------------------------	--	-------------------------	----------------



Controlled Customer Copy
 ETO SENSORIC KG
 GERMANY

Specifications
 Raychem WSD1525

The copyright in this drawing is the property of Tyco Electronics UK Limited. The drawing is issued on condition it is not copied, reproduced or disclosed to a third party either in whole or in part without prior written consent of Tyco Electronics UK Limited.

Layer Type / Operation	Component Details <i>Part Numbers refer to issue in effect at date of issue of this EPD.</i>	Nominal O.D.mm
Components: Wire	3 of 44E0111-18 Colours as above	
Cabling: Layer 1	3 of 44E0111-18	3.6
Shield: Braid	Tin Plated Copper	4.2
Wrap:	Adhesive backed PET tape - adhesive side out ①	4.3
Jacket: Pressure Extrusion 1	ACJ - Black	6.5 ±0.3
	① CR07-DP-391 refers to change	
Maximum Surface Transfer Impedance	Notes	Calculated nom. weight (Kg/Km) 67

Lengths: Unless otherwise specified on your order this cable may be supplied in the following maximum number of continuous lengths:

Order Quantity (m)
 100 + One other length

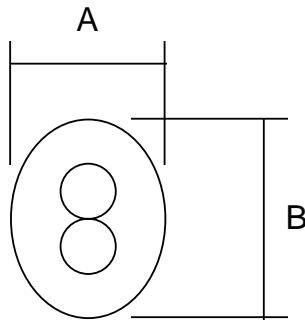
Tyco Electronics UK Ltd
 Faraday Road, Dorcan
 Swindon SN3 5HH
 Tel: (01793) 528171
 Telex: 449409

Registration Number:
 550926 London, England

Additional Routine Tests.

Circularity: 80% Min. measured as illustrated below.
 Strip Force: 120N Maximum. 50mm strip length.

Circularity Measurement



Calculate:

$$\frac{A}{B} \times 100$$

Design	Product Management	Technical	Manufacture

Lengths: Unless otherwise specified on your order this cable may be supplied in the following maximum number of continuous lengths:

<u>Order Quantity (m)</u>	+ One other length
100	

Tyco Electronics UK Ltd
 Faraday Road, Dorcan
 Swindon SN3 5HH
 Tel: (01793) 528171
 Telex: 449409

Registration Number:
 550926 London, England