

© copyright\_date

REVISIONS

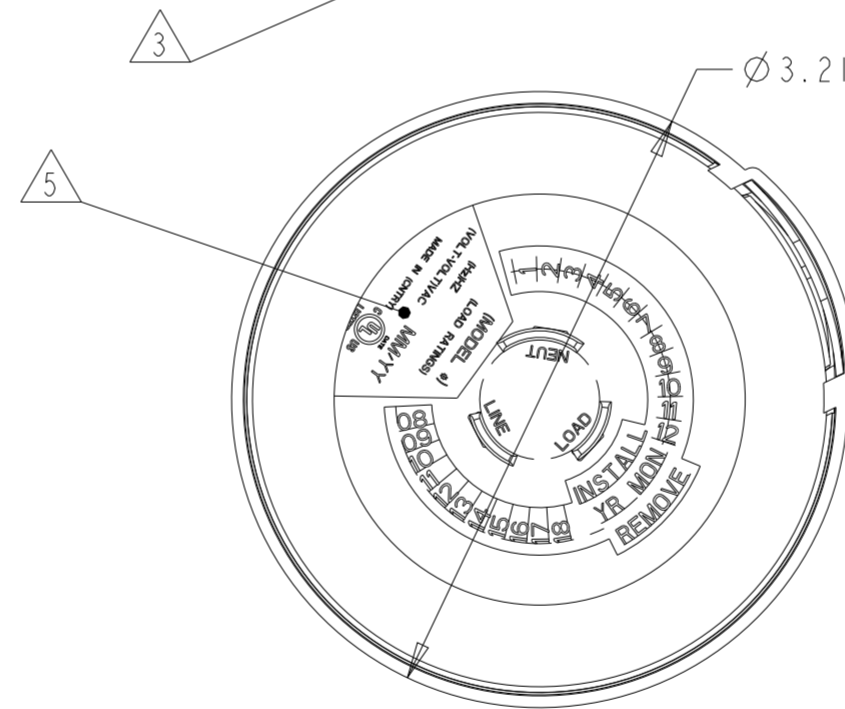
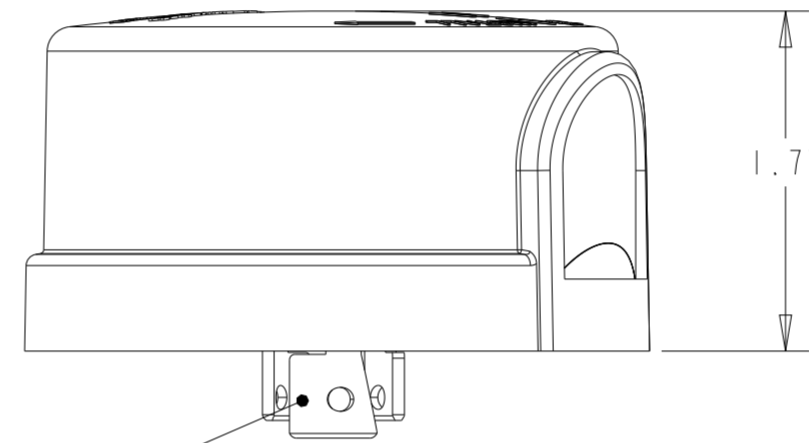
P	LTR	DESCRIPTION	DATE	DWN	APVD
1		INITIAL DRAWING CREATION	30JAN2022	JPS	MM
2		ADD UL INFORMATION	13FEB2023	MM	MM
A		ECN-23-200038	24FEB2023	RK	MM

ELECTRICAL CHARACTERISTICS

INPUT VOLTAGE RANGE	120, 208, 240, AND 277 VAC NOMINAL SOURCES 105-305 VAC RANGE
INPUT FREQUENCY	50/60 Hz NOMINAL SOURCES
LOAD RATINGS	INCANDESCENT LAMP: 1000W MAGNETIC BALLAST: 1800VA ELECTRONIC: 5A
SURGE PROTECTION	SEE TABLE
OPERATING LIGHT LEVELS	SEE TABLE
TIME DELAY ON/OFF	INSTANT ON, 2-5 SECOND DELAY OFF
ON/OFF RATIO	1.5:1
LIGHT SENSOR	SEE TABLE
FAIL MODE	SEE TABLE
ANSI C136.10 DESIGN LIFE CLASSIFICATION	LONG LIFE
UL-773 LISTING CSA22.2 No.182.2 LISTING	UL FILE E66375, SEE TABLE

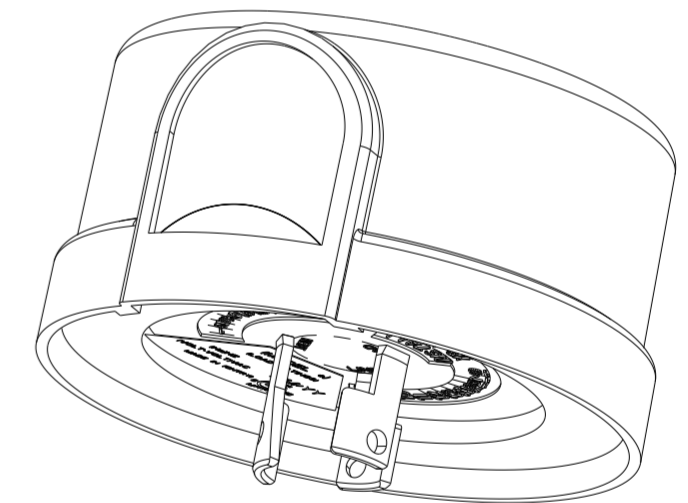
ENVIRONMENTAL CHARACTERISTICS

OPERATING TEMPERATURE	-40°C TO +65°C
RELATIVE HUMIDITY	OPERATING: 15% TO 96%, NON-CONDENSING ENVIRONMENT.



NOTES:

- 1 MATERIALS:  
BASE: PBT, COLOR: BLACK  
COVER: PP, COLOR: SEE TABLE  
WINDOW: PC, COLOR: CLEAR TRANSPARENT  
CONTACTS (QTY. 3): COPPER ALLOY  
GASKET: PE CLOSED CELL FOAM
- 2 FINISH:  
LINE VOLTAGE CONTACTS: NONE
- 3 MATING INTERFACE PER ANSI C136.10-2017.
- 4. MUST COMPLY WITH DIRECTIVE 2002/95/EC (ROHS)
- 5 PRODUCT INFORMATION LABEL



-	ON	GREEN	1.0 Fc	IR FILTERED	300 JOULES, 20kA, 25mm MOV	ALR-8090-VFI-GN	2405931-1
YES	ON	BLUE	1.5 Fc	IR FILTERED	1025 JOULES, 20kA, 25mm MOV	ALR-8090-HFS	2401414-2
YES	ON	BLUE	1.5 Fc	IR FILTERED	800 JOULES, 20kA, 25mm MOV	ALR-8090-MFS	2401414-1
-	ON	GREEN	1.5 Fc	IR FILTERED	300 JOULES, 20kA, 25mm MOV	ALR-8090-VFS-GN	G37412-000
-	ON	BLACK	1.5 Fc	IR FILTERED	300 JOULES, 20kA, 25mm MOV	ALR-8090-VFS-BK	FG1245-000
-	OFF	GREEN	1.5 Fc	IR FILTERED	300 JOULES, 20kA, 25mm MOV	ALR-8090-VFS-FO	CZ9645-000
-	ON	BLUE	1.5 Fc	IR FILTERED	300 JOULES, 20kA, 25mm MOV	ALR-8090-VFS	BB3399-000
UL, CSA LISTED	FAIL	COVER COLOR	TURN-ON LIGHT LEVEL	LIGHT SENSOR	SURGE RATING	MODEL #	TE P/N

THIS DRAWING IS A CONTROLLED DOCUMENT.

DIMENSIONS: INCH	TOLERANCES UNLESS OTHERWISE SPECIFIED: 0 PLC ±.1 1 PLC ±.1 2 PLC ±.03 3 PLC ±. 4 PLC ±. ANGLES ±. FINISH	DWN M. MOSTOLLER 14OCT2021 CHK J. SCHOLZ 14OCT2021 APVD J. SCHOLZ 14OCT2021	TE Connectivity	
MATERIAL		PRODUCT SPEC	NAME ALR-8000 SERIES TWIST LOCK PHOTOCELL	
		APPLICATION SPEC	SIZE A2	CAGE CODE 00779
		WEIGHT	DRAWING NO. C-ALR-8000_SERIES	RESTRICTED TO
		CUSTOMER DRAWING	SCALE 1:1	SHEET OF REV A