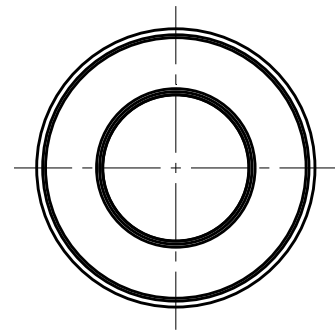
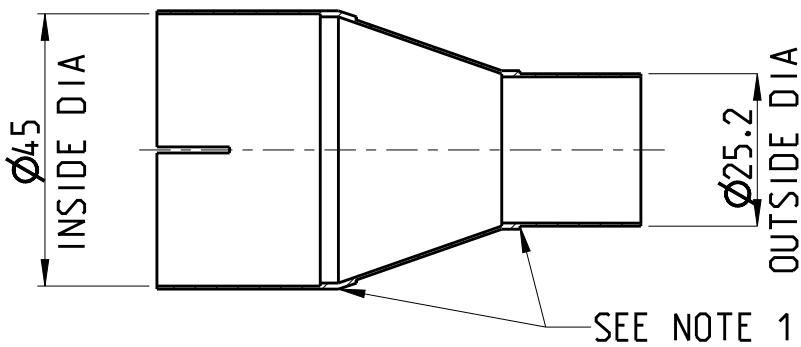
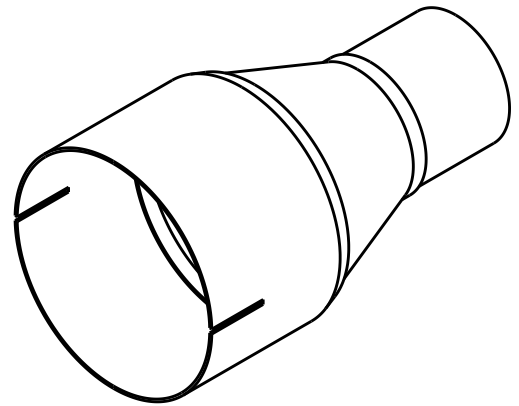
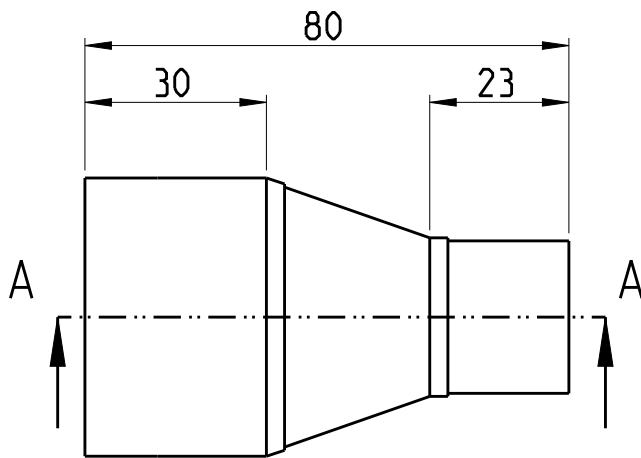


REVISIONS					
P	LTR	DESCRIPTION	DATE	DWN	APVD
	A	INITIAL RELEASE	10DEC2019	MG	UV



SECTION A-A

- NOTES:
 1. THREE PART WELDED CONSTRUCTION.
 2. TPCN: 989172-000

© 2019 TE Connectivity. All Rights Reserved.

DIMENSIONS: mm		DWN M.GOWDA 10DEC2019	MATERIAL SS 0.5 THK	FINISH -		
TOLERANCES UNLESS OTHERWISE SPECIFIED:		CHK T.CORREIA 10DEC2019				
0 PLC ±0.5 1 PLC ±0.25 2 PLC ±0.1 3 PLC ± 4 PLC ±		APVD U.VARMA 10DEC2019				
ANGLES ±0°30'		PRODUCT SPEC -	NAME AD-1962-CV1648-PR.RFL-ADP			
		APPLICATION SPEC -	SIZE A 4	CAGE CODE 06090	DRAWING NO C-AD-1962	RESTRICTED TO -
WEIGHT -		CUSTOMER DRAWING		SCALE NTS	SHEET 1 OF 1	REV A