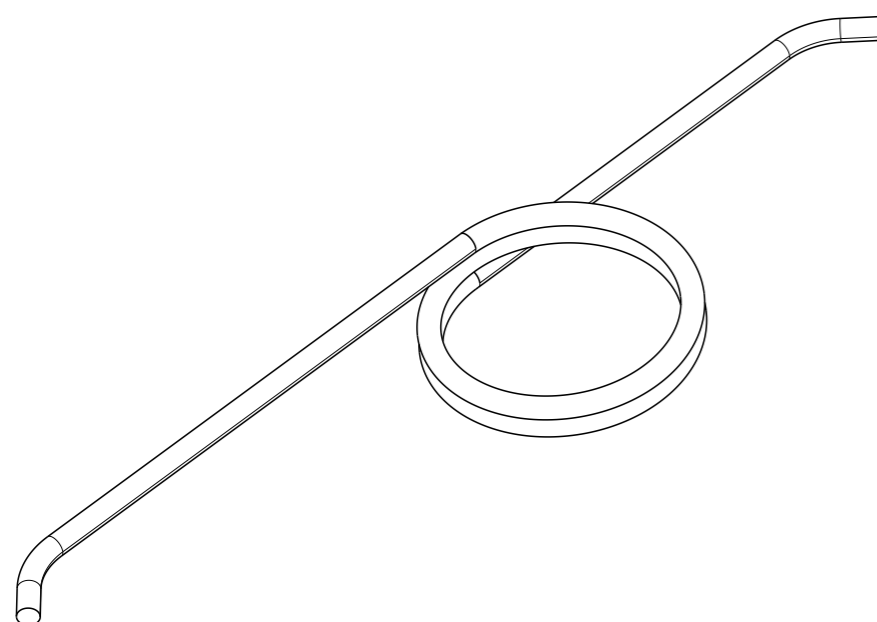
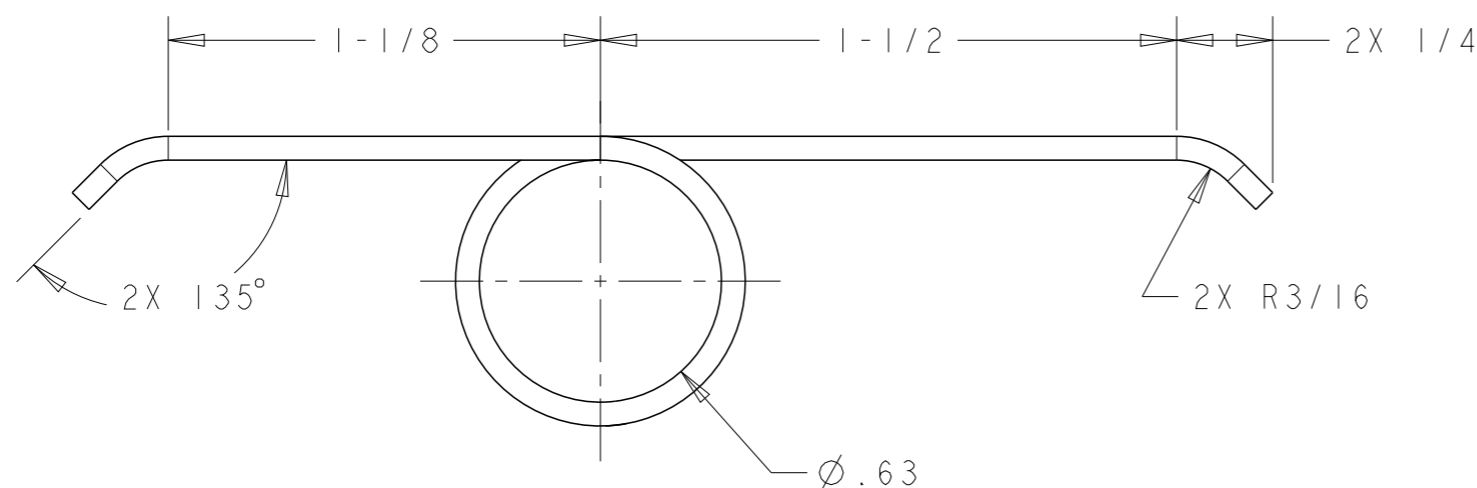
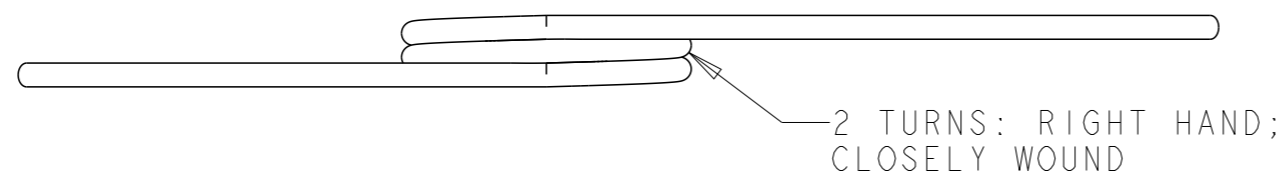


REVISIONS

P	LTR	DESCRIPTION	DATE	DWN	APVD
	A1	REVISED PER ECR-22-126572	13JAN2022	GK	SS

NOTES:

- DIMENSIONS/TOLERANCES:
ALL DIMENSIONS ARE NOMINAL
UNLESS OTHERWISE SPECIFIED.
- MATERIAL: \varnothing .062 MUSIC WIRE.



AD-1377-P-E118-TORSION-SPRING	994123-000
DESCRIPTION	PART NO.

THIS DRAWING IS A CONTROLLED DOCUMENT.

DWN 13JAN2022
 GOPALAKRISHNA HV
 CHK 13JAN2022
 SARAH SIEGEL
 APVD 13JAN2022
 CHRISTELE HOSKOTE



DIMENSIONS: INCHES	TOLERANCES UNLESS OTHERWISE SPECIFIED:
	0 PLC \pm
	1 PLC \pm
	2 PLC \pm
	3 PLC \pm
	4 PLC \pm
	ANGLES \pm
MATERIAL	FINISH
-	-
-	-

NAME	AD-1377-P-E118-TORSION-SPRING
PRODUCT SPEC	-
APPLICATION SPEC	-
WEIGHT	-
CUSTOMER DRAWING	

SIZE	CAGE CODE	DRAWING NO	RESTRICTED TO
A3	-	©-AD-1377-P-E118	-
SCALE		SHEET	REV
2:1		1 OF 1	A1