

PROPERTY OF DEUTSCH E.C.D.

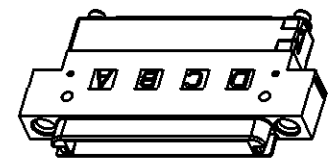
This drawing contains proprietary information that shall not be disclosed, duplicated, nor used in whole or in part for any purpose other than to evaluate this drawing.

A ABC26H-*****

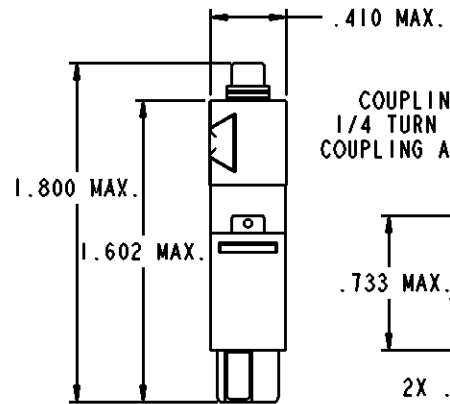
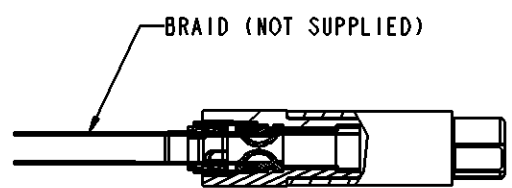
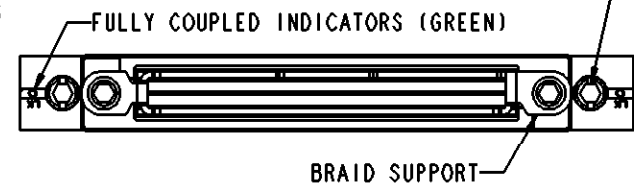
REV		DESCRIPTION	DATE	APPROVED
A		REVISED PER E.O. D0001	111123	MA

ABC 2 6 H - **** - * - ****

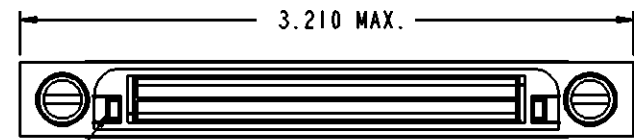
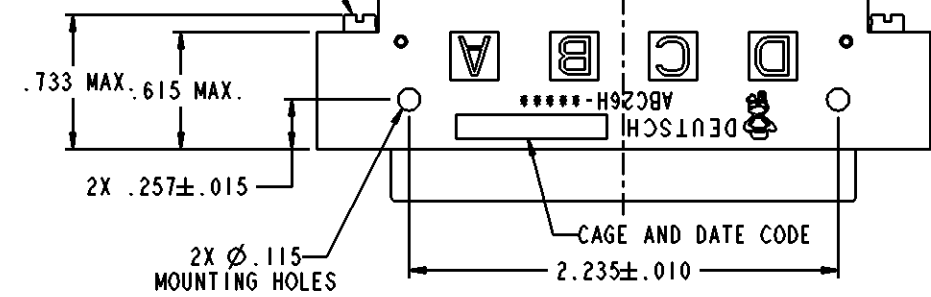
MODIFICATION: CONSULT FACTORY
 KEYING POSITIONS: A THRU Y
 SEE ENVELOPE DRAWING 55500
 MODULE ARRANGEMENTS: SEE ENVELOPE DRAWING 55500
 0000 = 2 INCH SHELL WITH NO MODULES
 STYLE: H = DYNAMIC QUATER LOCK WITH GROUNDING BACKSHELL
 TYPES: 6 = STACKABLE PLUG SHELL
 SHELL SIZES: 2 = 2 INCH
 BASIC IDENTIFIER



5 3/32 HEX SOCKET



COUPLING ACTUATOR
1/4 TURN REQUIRED FOR
COUPLING AND UNCOUPLING



6 KEYING PIN

6 WHEN NO LETTER IS CALLED OUT, KEYING PINS ARE SHIPPED LOOSE AND INSTALLED BY CUSTOMER (EXAMPLE P/N: ABC26H-1972). IF LETTER A-Y IS CALLED OUT FACTORY INSTALLS THE KEYING PINS (EXAMPLE P/N: ABC26H-1972A).

5 TOOL REQUIRED (NOT SUPPLIED): 3/32 INCH HEX KEY.

4. FINISH: SHELL - NICKEL PLATED IN CONFORMANCE WITH THE PERFORMANCE REQUIREMENTS OF AFLC8810310
CONTACTS - GOLD OVER NICKEL IN CONFORMANCE WITH AS39029
BRAID SUPPORT - PASSIVATED

3. MATERIAL: SHELL - COMPOSITE IN CONFORMANCE WITH THE PERFORMANCE REQUIREMENTS OF AFLC8810310
MOUNTING HARDWARE - IN CONFORMANCE WITH AFLC8810310
CONTACTS - COPPER ALLOY IN CONFORMANCE WITH AS39029
BRAID SUPPORT - STAINLESS STEEL

2. FOR AVAILABILITY, CONSULT FACTORY.

1. DIMENSIONS ARE IN INCHES.

NOTES, UNLESS OTHERWISE SPECIFIED:

SIGNATURE & DATE	
DR	H. ZORNES 090206
CHK	A. RASMUSSEN 090213
PE	H. ZORNES 090206
APPD	A. RENGIFO 111220
SCALE	WT

PLUG
 ABC CONNECTOR
 STRAIGHT GROUNDING
 BACKSHELL
 QUATER LOCK COUPLING
 ENVELOPE

MATERIAL CODE	
DEUTSCH	
ENGINEERED CONNECTING DEVICES	
250 EDDIE JONES WAY OCEANSIDE, CA 92058	
A	ABC26H-*****
CP	CODE 11139 SHEET OF