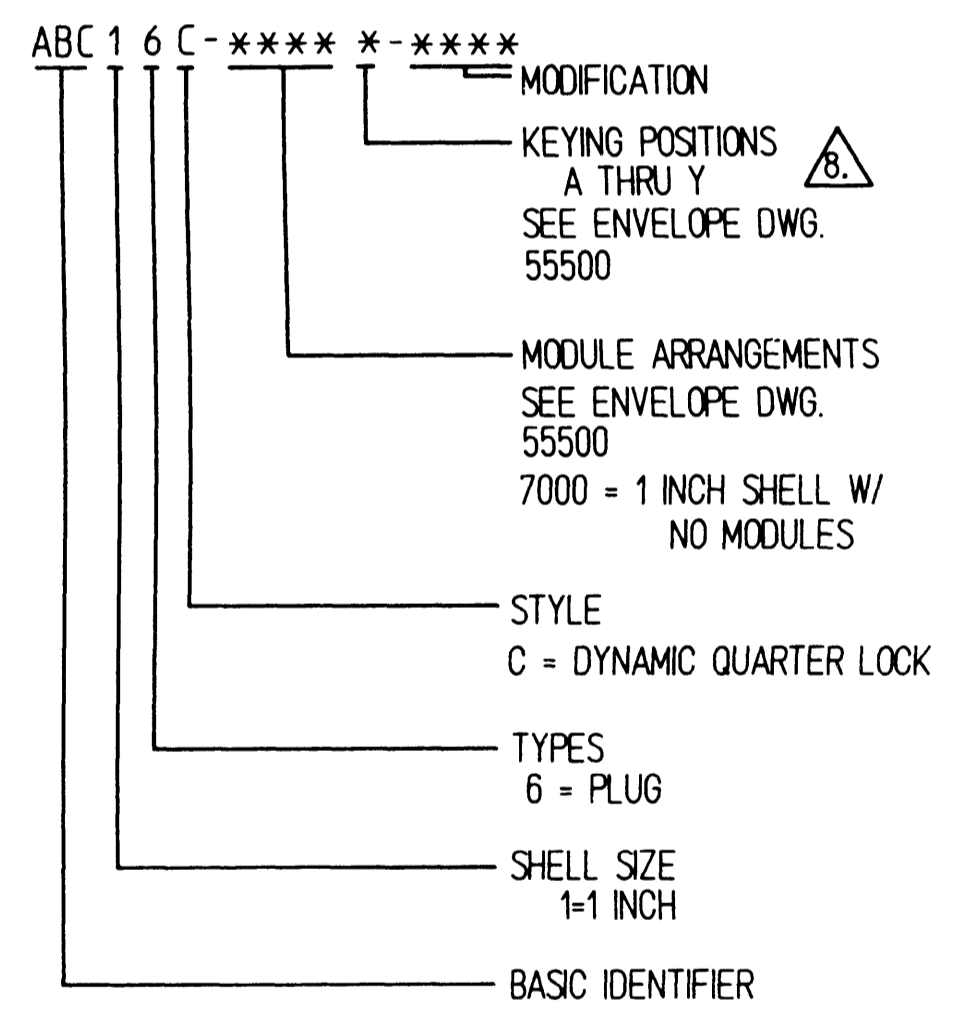
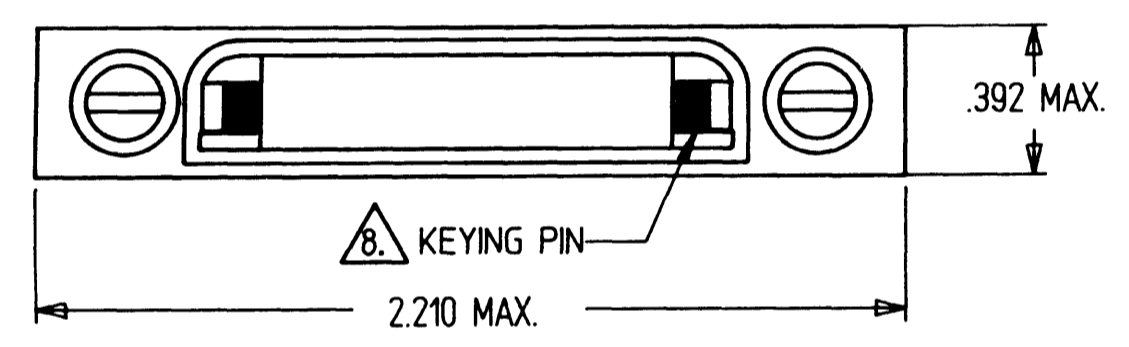
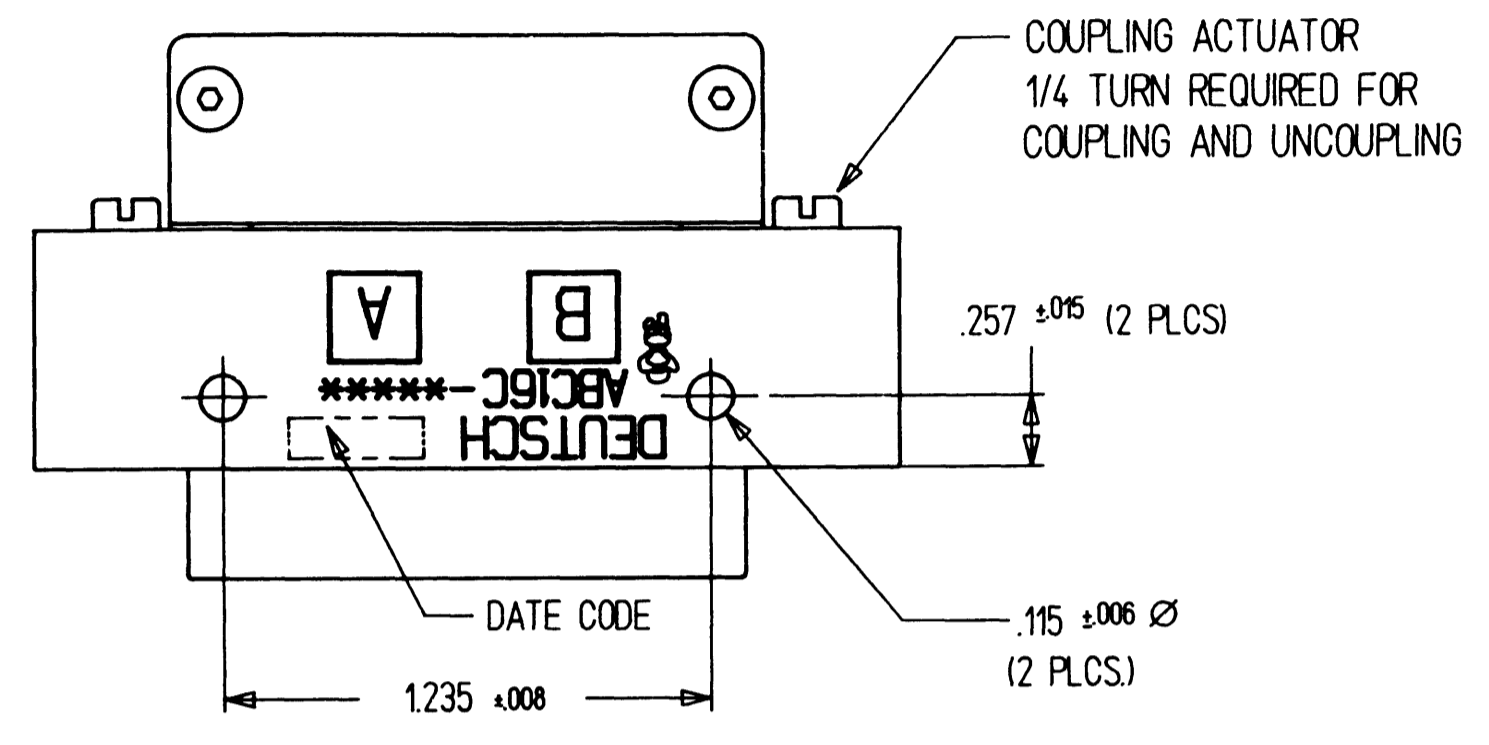
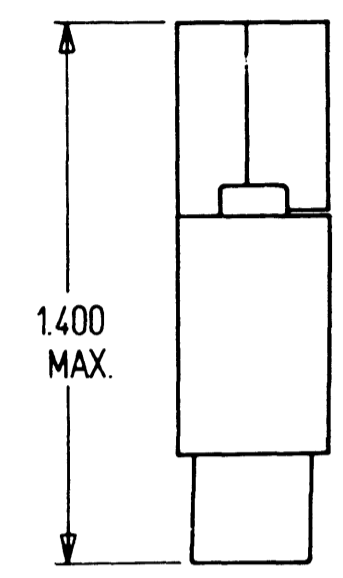
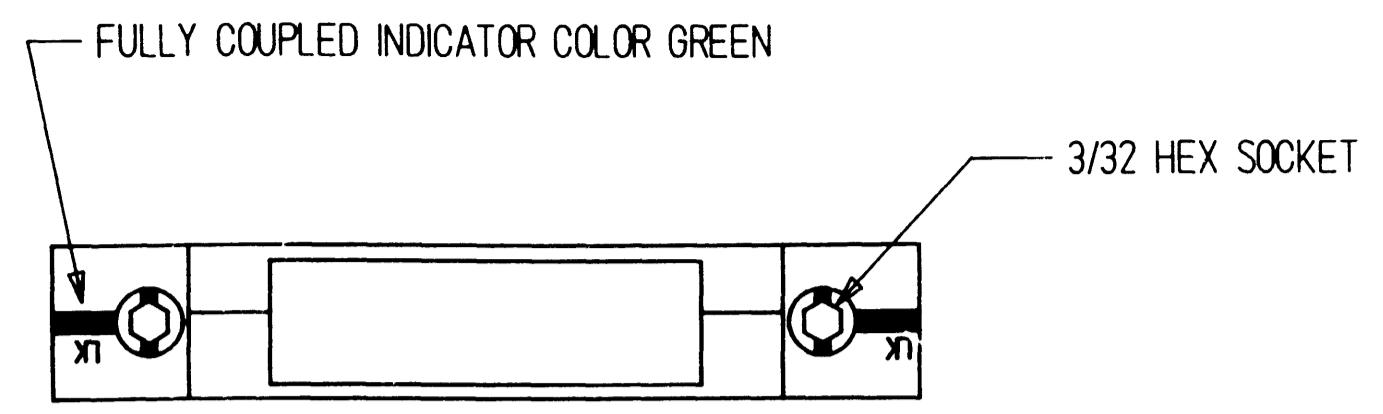


A ABC16C-\*\*\*\*

REV	DESCRIPTION	DATE	APPROVED
N/C	NEW RELEASE PER E.O. A 9887	6/16/89	L.L.A.
A	CHANGED PER E.O. A 10205	11-5-92	J



**B.** WHEN NO LETTER IS CALLED OUT KEYING PINS ARE SHIPPED LOOSE AND INSTALLED BY CUSTOMER. EXAMPLE P/N: ABC16C-7000. IF LETTER A-Y IS CALLED OUT FACTORY INSTALLS KEYING PINS. EXAMPLE P/N ABC16C-7000A.

7. FOR INSERT ARRANGEMENTS AND KEYING POSITIONS SEE ENVELOPE DRAWING 55500.
6. SEE DEUTSCH ENVELOPE DRAWINGS FOR CRIMP TOOL AND POSITIONER AND SOCKET CONTACTS 12336-\*\*\* AND PIN CONTACTS 12331-\*\*\*.
5. MATES WITH ABC RECEPTACLE CONNECTOR.
4. FINISH: SHELL DEUTSCH SPECIAL METALIZED SURFACE.
3. MATERIAL: SHELL COMPOSITE MATERIAL. METAL COMPONENTS STAINLESS STEEL.
2. FOR AVAILABILITY CONSULT FACTORY.
1. DIMENSIONS ARE IN INCHES UNLESS OTHERWISE SPECIFIED.

NOTE:

SIGNATURE & DATE		<b>PLUG</b> 1 INCH DQL DYNAMIC QUARTER LOCK COUPLING ABC CONNECTOR  ENVELOPE	CP	MATL CODE	
DR	TIM HOLT 5/2/89		<b>DEUTSCH</b> ENGINEERED CONNECTING DEVICES  Municipal Airport Banning, California		
CHK	L.L.A. 6/16/89		<b>C</b> DWG SIZE	ABC16C-****	
PE	TIM HOLT 5/2/89			CODE 1189	SHEET 1 OF 1
APPD			SCALE	NONE	WT