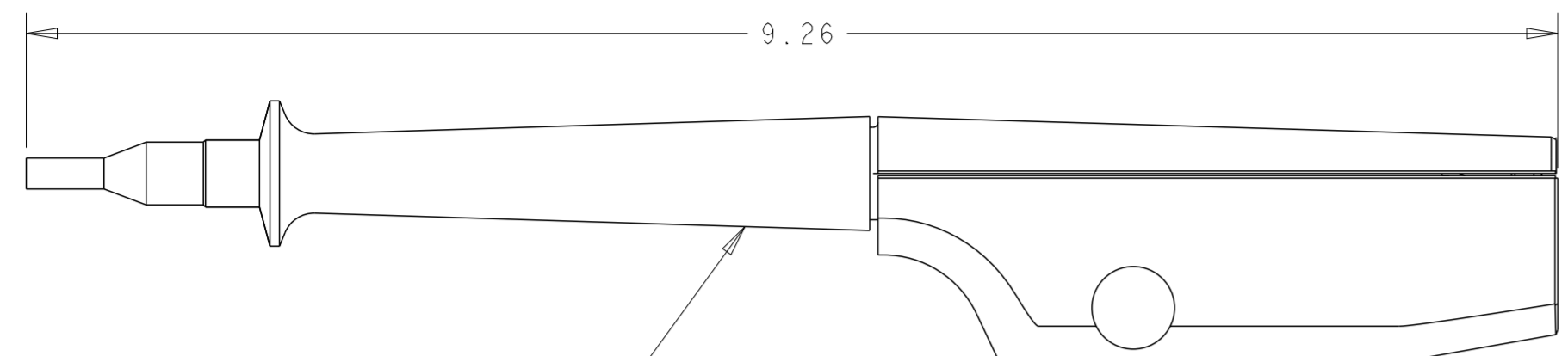
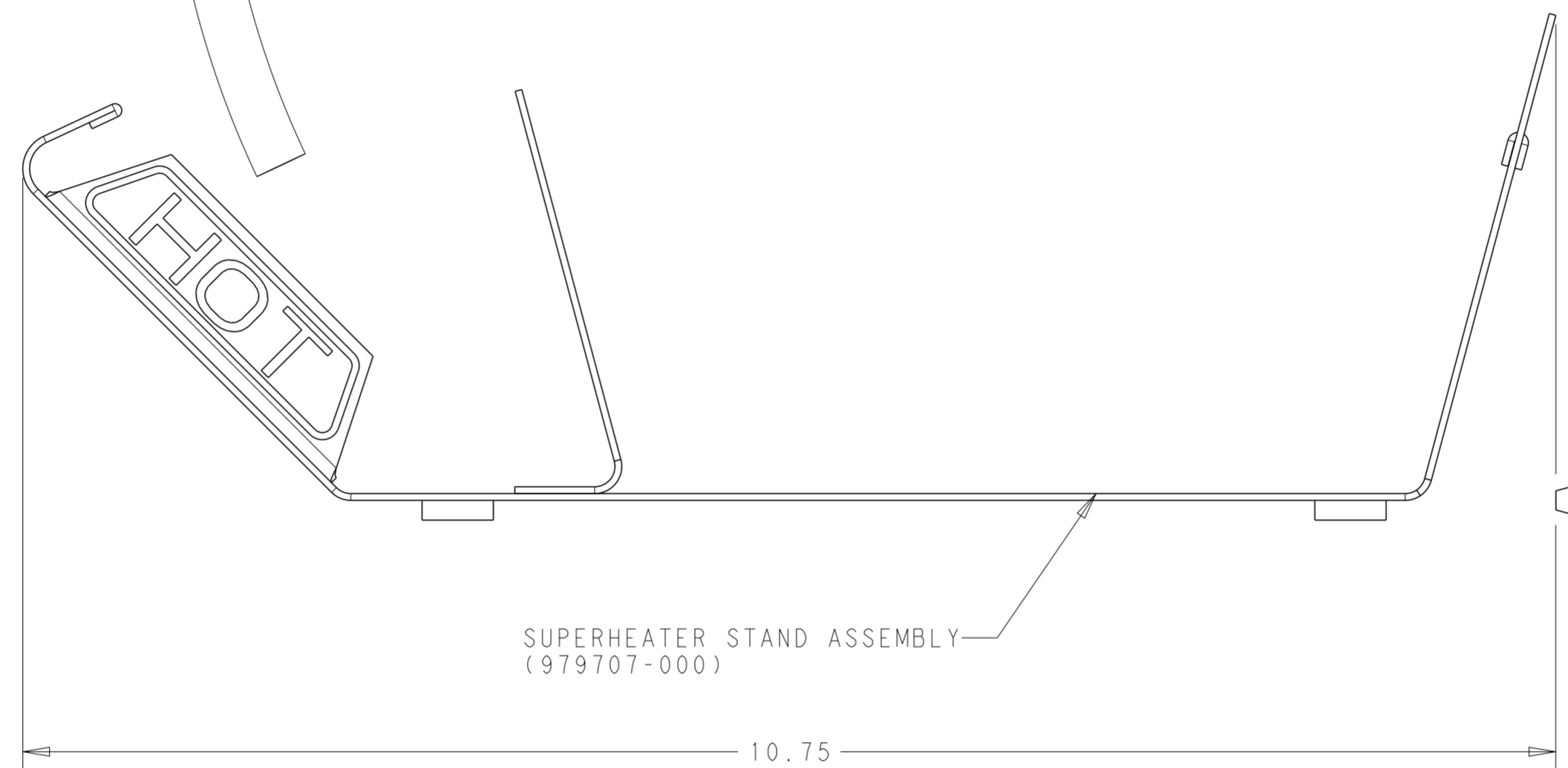


THIS DRAWING IS UNPUBLISHED. RELEASED FOR PUBLICATION 20  
 © COPYRIGHT 20 BY - ALL RIGHTS RESERVED.

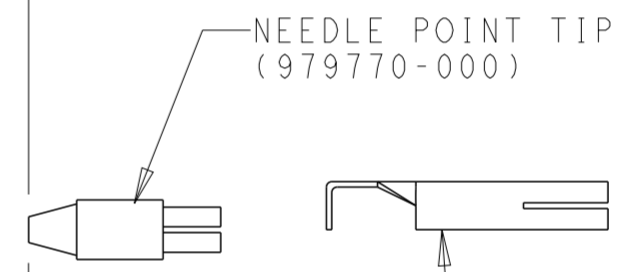
REVISIONS				
P	LTR	DESCRIPTION	DATE	APVD
A		REVISED PER ECO-15-017468	26NOV2015	KK HS
G		ECO-18-003428	09MAR2018	KH NN



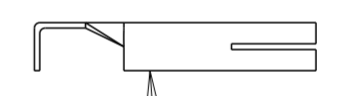
HEAT GUN & CONTROL UNIT  
 (120V) MARK III  
 (979707-000)



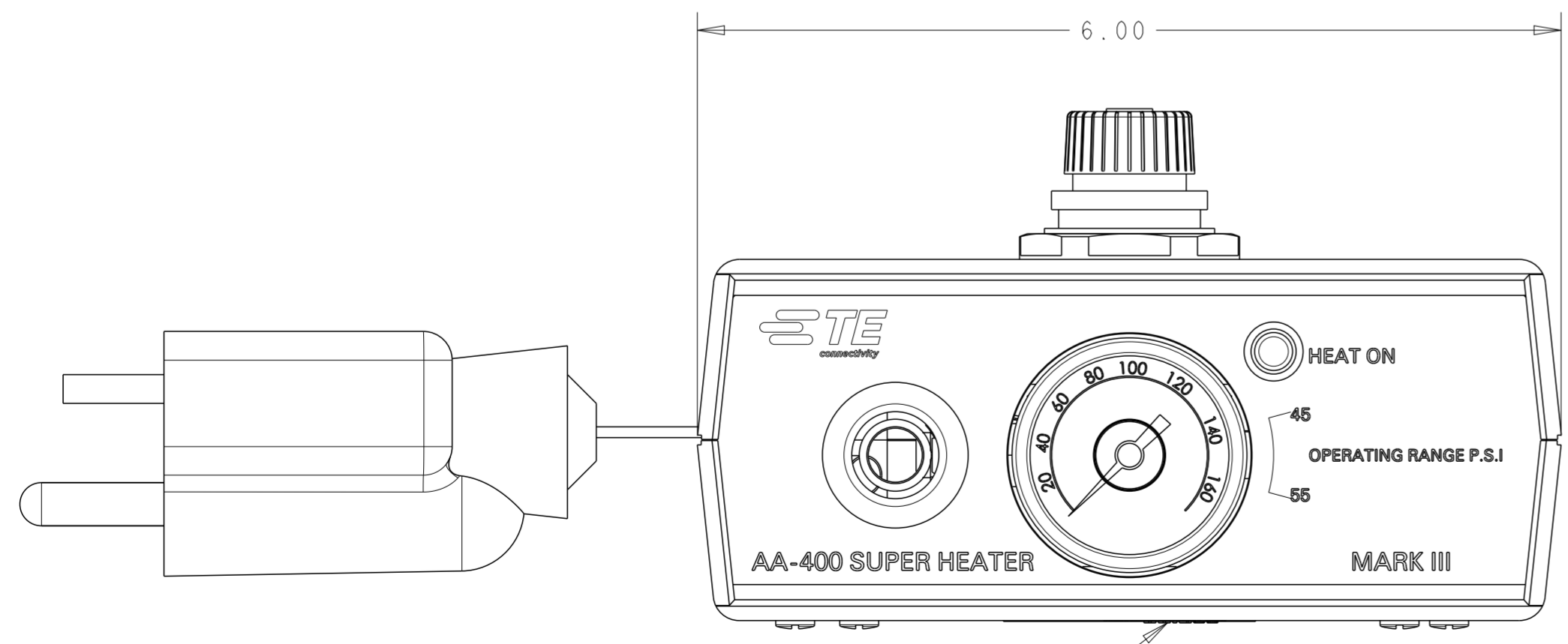
SUPERHEATER STAND ASSEMBLY  
 (979707-000)



NEEDLE POINT TIP  
 (979770-000)



MINI SOLDER SLEEVE REFLECTOR  
 (979770-000)



AA-400 SUPERHEATER MK 3  
 I.D LABEL  
 (979770-000)

NOTES:

- AIR FILTER NOT SHOWN, BUT IS TO BE PACKAGED WITH GUN, STAND, CONTROL UNIT AND REFLECTORS.
- PCN: 582602-000

THIS DRAWING IS A CONTROLLED DOCUMENT.		DWN KIRAN K 26NOV2015	TE Connectivity	
DIMENSIONS: INCHES		CHK N. NAGAR 26NOV2015		
TOLERANCES UNLESS OTHERWISE SPECIFIED:		APVD H. SMITH 26NOV2015	NAME AA-400 MARK III SUPERHEATER ASSEMBLY (120V) AA-400-32 (120V)	
0 PLC ±- 1 PLC ±.1 2 PLC ±.02 3 PLC ±.005 4 PLC ±.0005 ANGLES ±- FINISH -		PRODUCT SPEC -	SIZE A2	RESTRICTED TO -
MATERIAL -		APPLICATION SPEC -	CAGE CODE -	DRAWING NO G-AA-400-32
		WEIGHT -	SCALE NTS	SHEET 1 OF 1 REV G
		CUSTOMER DRAWING		