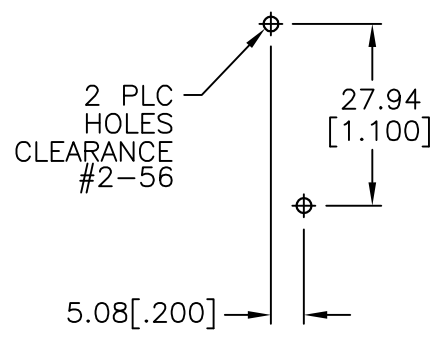
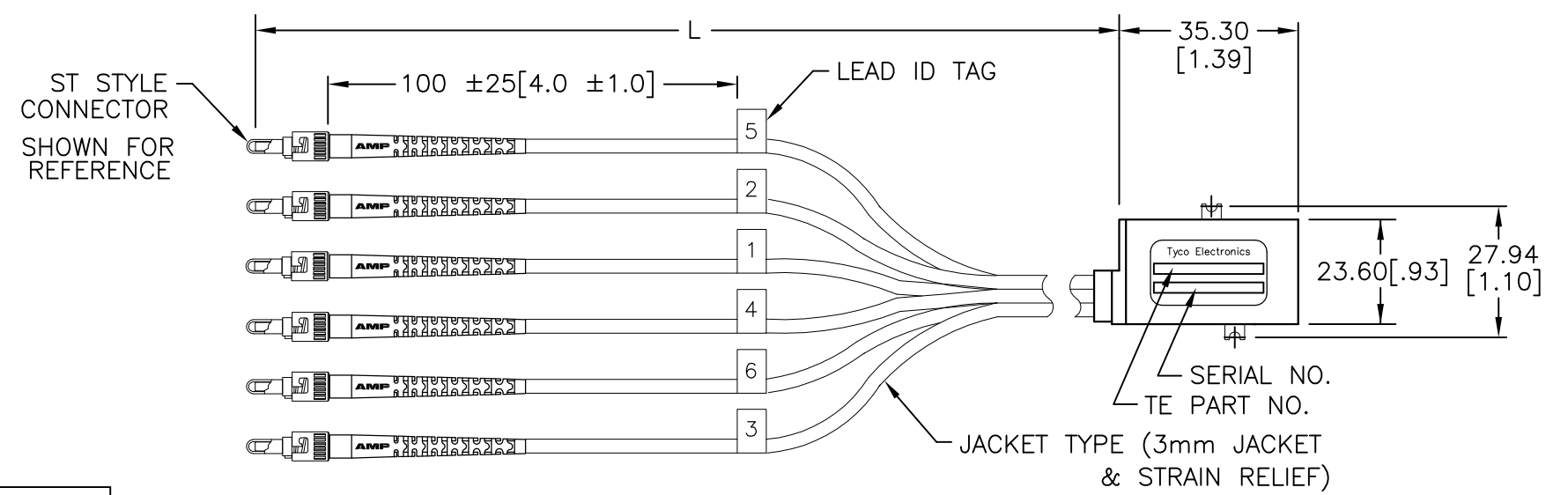


THIS DRAWING IS UNPUBLISHED. RELEASED FOR PUBLICATION
 © COPYRIGHT BY TYCO ELECTRONICS CORPORATION. ALL RIGHTS RESERVED.

LOC	DIST	REVISIONS			
P	LTR	DESCRIPTION	DATE	DWN	APVD
EA	51	L	ECR 08-001223	14JUL08	LGE RP
		L1	REVISED PER ECO-09-020774	21AUG09	KK AEG

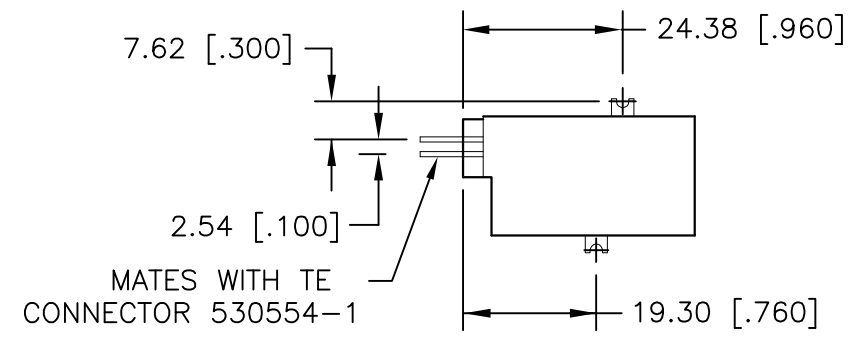
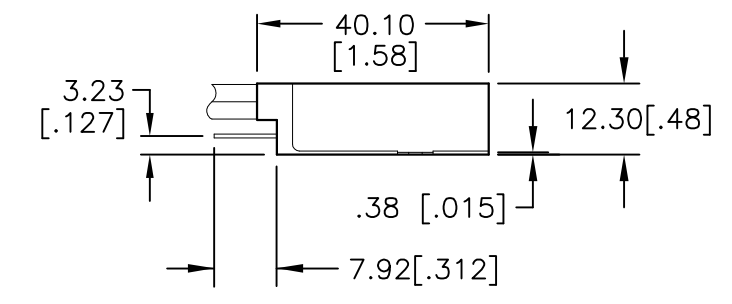
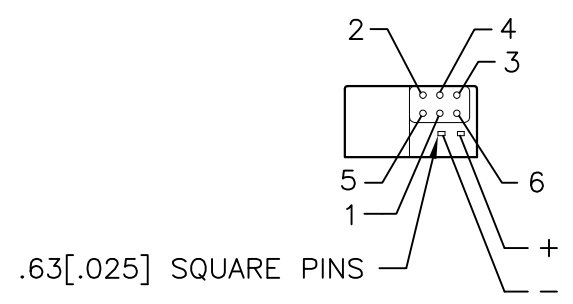


PCB MOUNTING HOLES
TOP VIEW



PART NO.	FIBER TYPE	L	CONNECTOR TYPE
99982-1	50/125/250	1000mm ±100mm	ST
99982-2	62.5/125/250	1000mm ±100mm	ST
99982-3	100/140/250	1000mm ±100mm	ST
99982-4	62.5/125/250	305mm ±25mm	LC
1-99982-2	62.5/125/250	203mm +20mm -0mm	ST
8-99982-1	50/125/250	1000mm ±50mm	SC
8-99982-2	62.5/125/250	1000mm ±50mm	SC
8-99982-3	100/140/250	1000mm ±50mm	SC

OBSOLETE ⚠
 OBSOLETE
 OBSOLETE
 OBSOLETE
 OBSOLETE
 OBSOLETE
 OBSOLETE



PERFORMANCE SPECIFICATIONS

INSERTION LOSS
 INSERTION LOSS DATA INCLUDES TWO CONNECTED PAIRS TESTED PER FOTP-34 METHOD A2

POWER OFF, 1 TO 2 & 4 TO 5 : 1.8dB MAX
 POWER ON, 1 TO 3 & 4 TO 6 : 1.8dB MAX

OPTICAL CROSSTALK : </>=-45dB, PER FOTP-42
 OPERATING WAVELENGTH : 750nm TO 1450nm
 TESTED WAVELENGTH : 1300nm
 POWER REQUIREMENTS : 4.0 TO 5.5 VOLTS, 80ma MAX AT 5 VOLTS
 SWITCHING SPEED : 10 MILLISECONDS MAX.

NOTE:
 ⚠ OBSOLETE PARTS: OBSOLETE CIS STREAMLINING PER D.RENAUD/D.SINISI

THIS DRAWING IS A CONTROLLED DOCUMENT.		DWN R. MONTANEZ 03/18/99	Tyco Electronics Corporation Harrisburg, PA 17105-3608	
DIMENSIONS: MM [inches]		CHK E. ANDERSON 03/18/99	NAME SWII D1X2 GOLD (STRAIGHT)	
TOLERANCES UNLESS OTHERWISE SPECIFIED:		APVD H. BAUM 03/18/99	PRODUCT SPEC	
0 PLC ± - 1 PLC ± 1.27 2 PLC ± 0.13 3 PLC ± - 4 PLC ± - ANGLES ± 2°		APPLICATION SPEC		
MATERIAL -		FINISH -	SIZE A3	CAGE CODE 00779
		DRAWING NO C-99982		RESTRICTED TO -
		CUSTOMER DRAWING		SCALE NONE SHEET 1 OF 1 REV L1