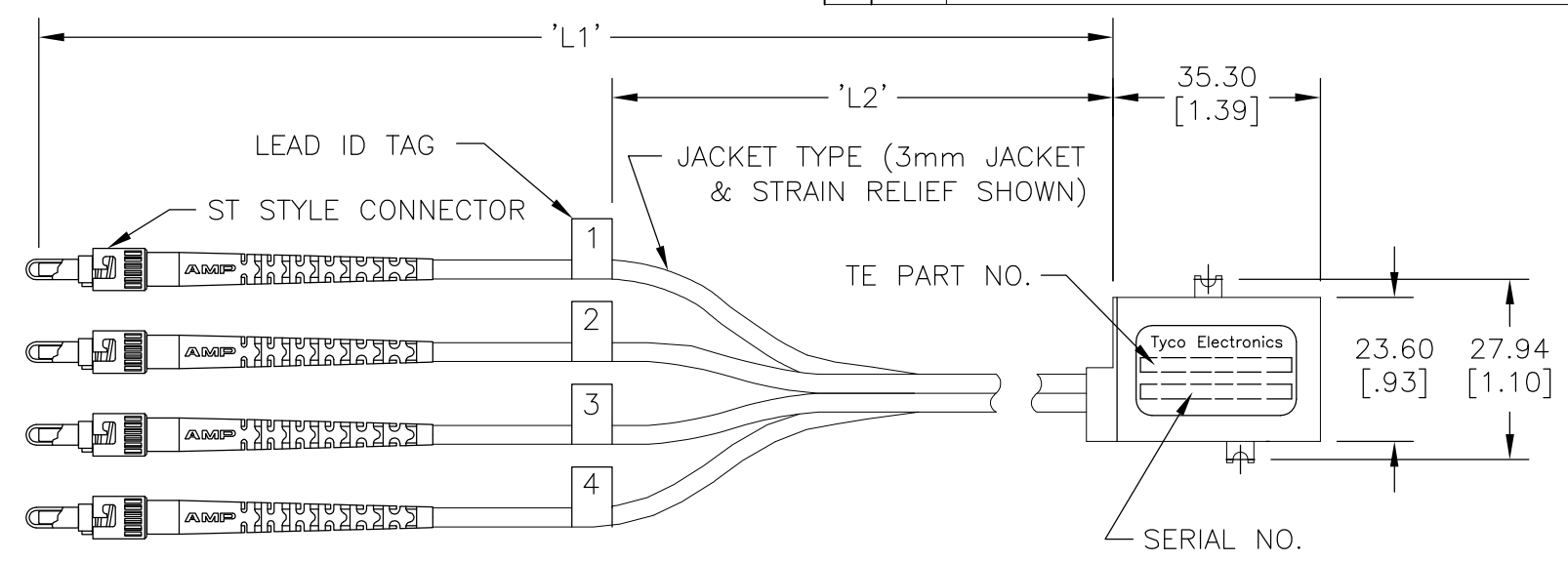
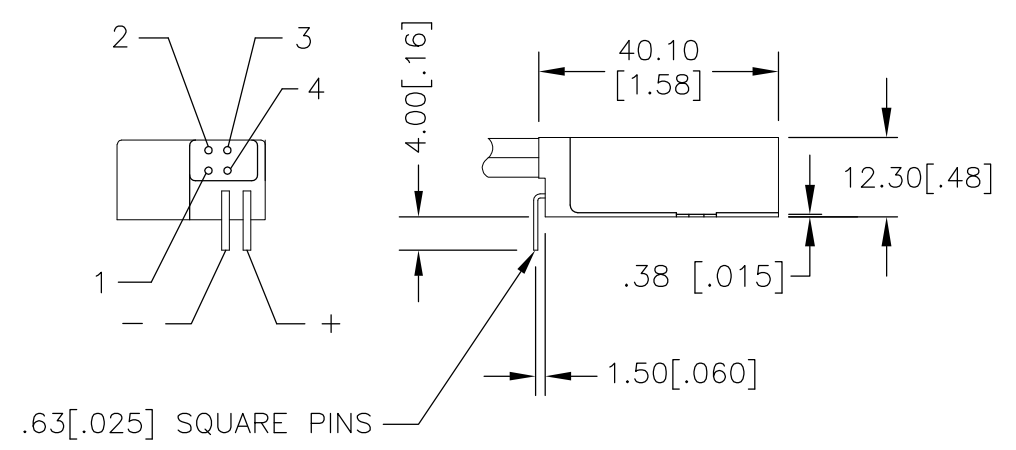


THIS DRAWING IS UNPUBLISHED. RELEASED FOR PUBLICATION
 © COPYRIGHT - BY TYCO ELECTRONICS CORPORATION. ALL RIGHTS RESERVED.

LOC	DIST	REVISIONS					
EA	51	P	LTR	DESCRIPTION	DATE	DWN	APVD
			K	ECR 08-001223	8SEPT08	LGE	RP



PART NO.	FIBER TYPE	'L1'	'L2'	CONNECTOR TYPE	
99417-1	50/125/250	1000 ±100mm	900 ±25mm	ST	OBSOLETE
99417-2	62.5/125/250	1000 ±100mm	900 ±25mm	ST	
8-99417-2	62.5/125/250	393 ±25mm	293 ±25mm	ST	OBSOLETE
8-99417-3	100/140/250	393 ±25mm	293 ±25mm	ST	OBSOLETE



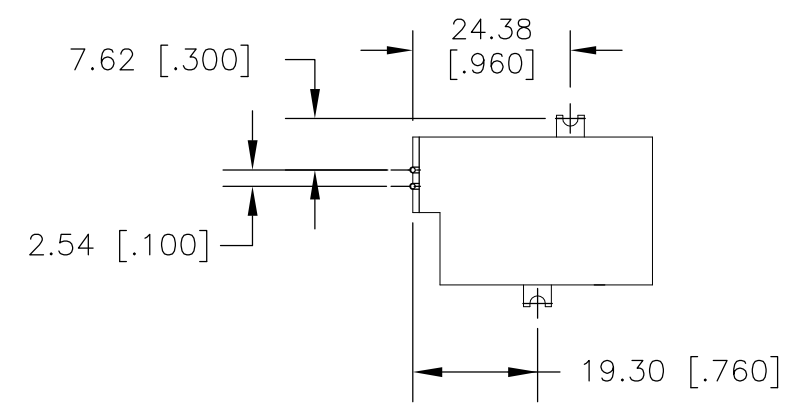
PERFORMANCE SPECIFICATIONS:

TESTED PER FOTP-34 METHOD A2
 INSERTION LOSS DATA INCLUDES TWO CONNECTOR PAIRS.

INSERTION LOSS:

POWER OFF,	1 TO 2	1.8dB MAX
POWER OFF,	3 TO 4	5.0dB MAX
POWER ON,	1 TO 4	1.8dB MAX
POWER ON,	3 TO 2	1.8dB MAX

OPTICAL CROSSTALK $\leq -45\text{dB}$ PER FOTP-42
 OPERATING WAVELENGTH 750-1450nm
 TESTED WAVELENGTH 1300nm
 POWER REQUIREMENTS 4.0 TO 5.5 VOLTS, 80ma MAX AT 5.0 VOLTS
 SWITCHING SPEED 10 MILLISECONDS MAX



THIS DRAWING IS A CONTROLLED DOCUMENT.		DWN	30OCT2001	Tyco Electronics Corporation Harrisburg, PA 17105-3608
		CHK	12/15/96	
		APVD	12/15/96	NAME SWII 2X2 TIN (BENT PIN)
		PRODUCT SPEC		
		APPLICATION SPEC		SIZE A3
		WEIGHT	-	
		CUSTOMER DRAWING		CAGE CODE 00779
				DRAWING NO G-99417
				RESTRICTED TO -
				SCALE 1:1
				SHEET 1 OF 1
				REV K