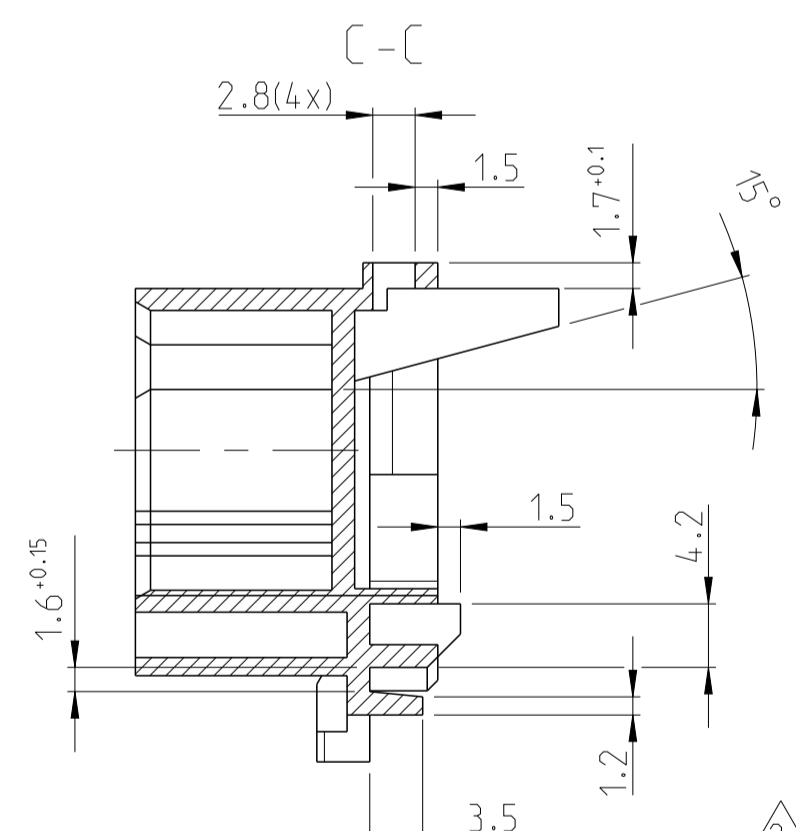
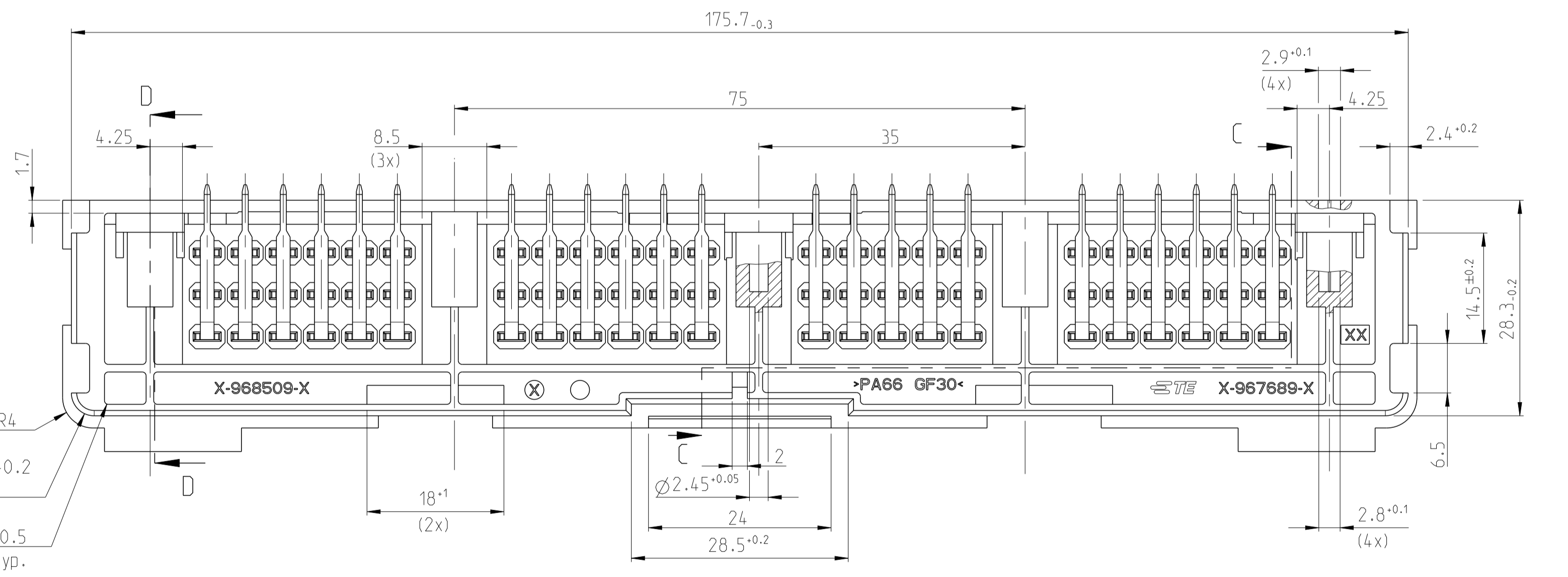
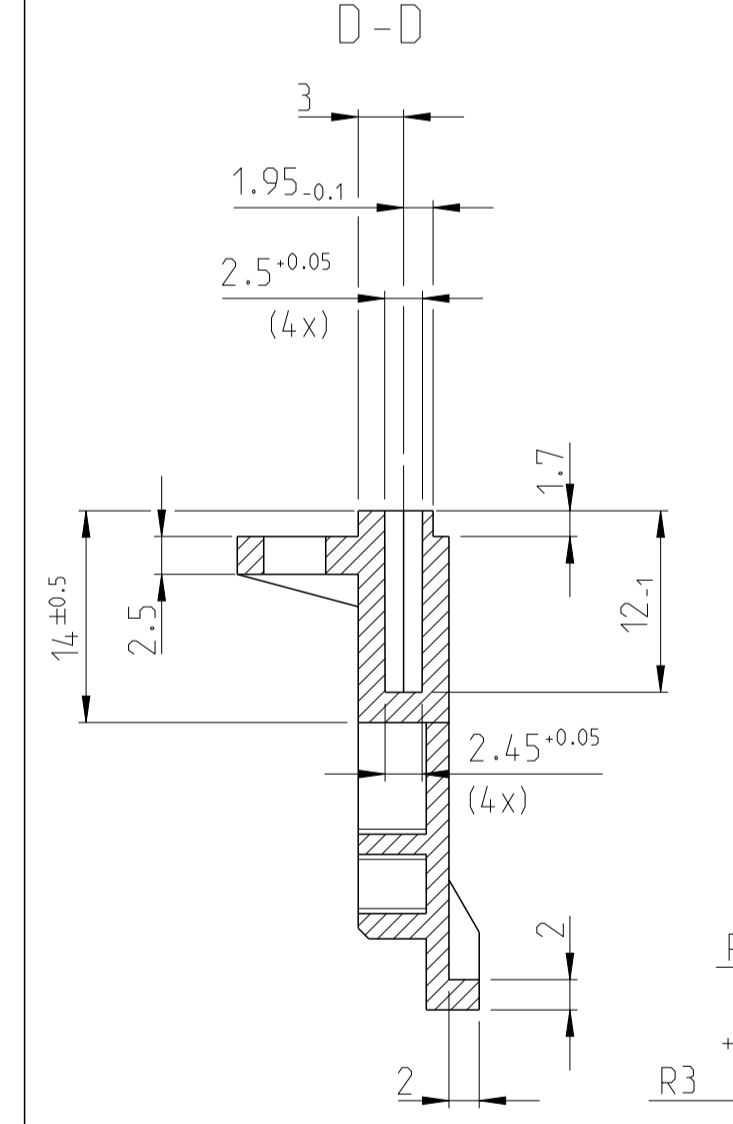
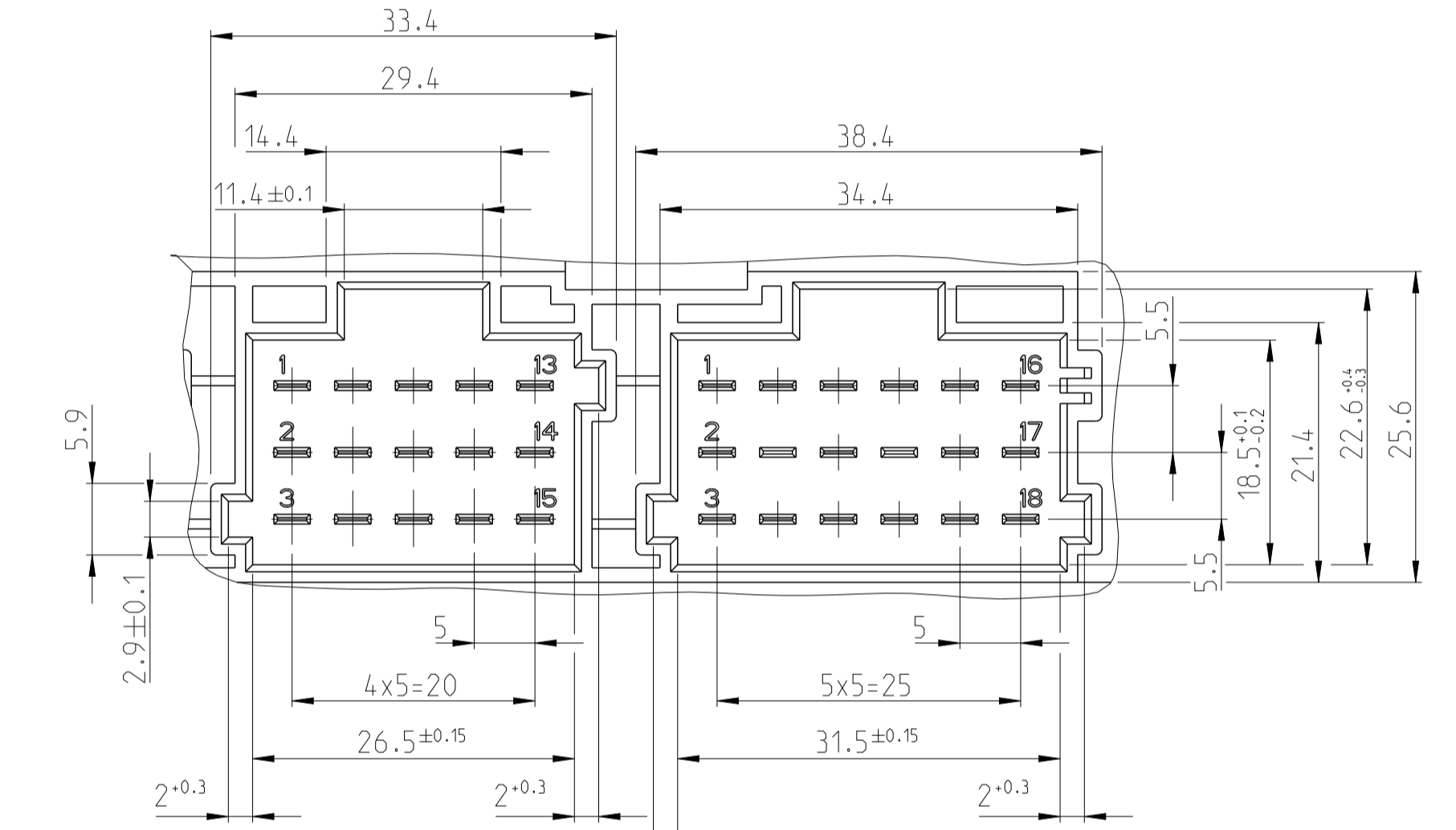
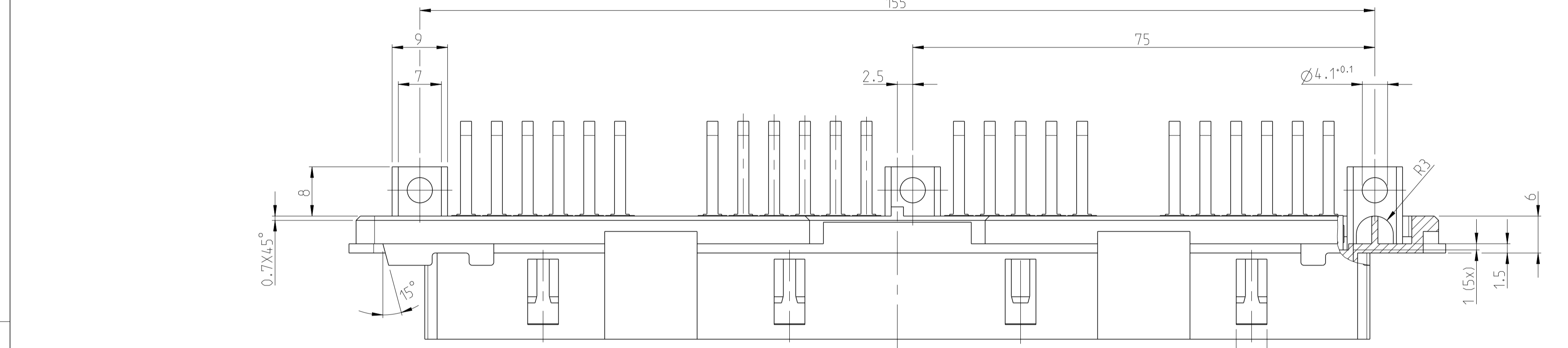
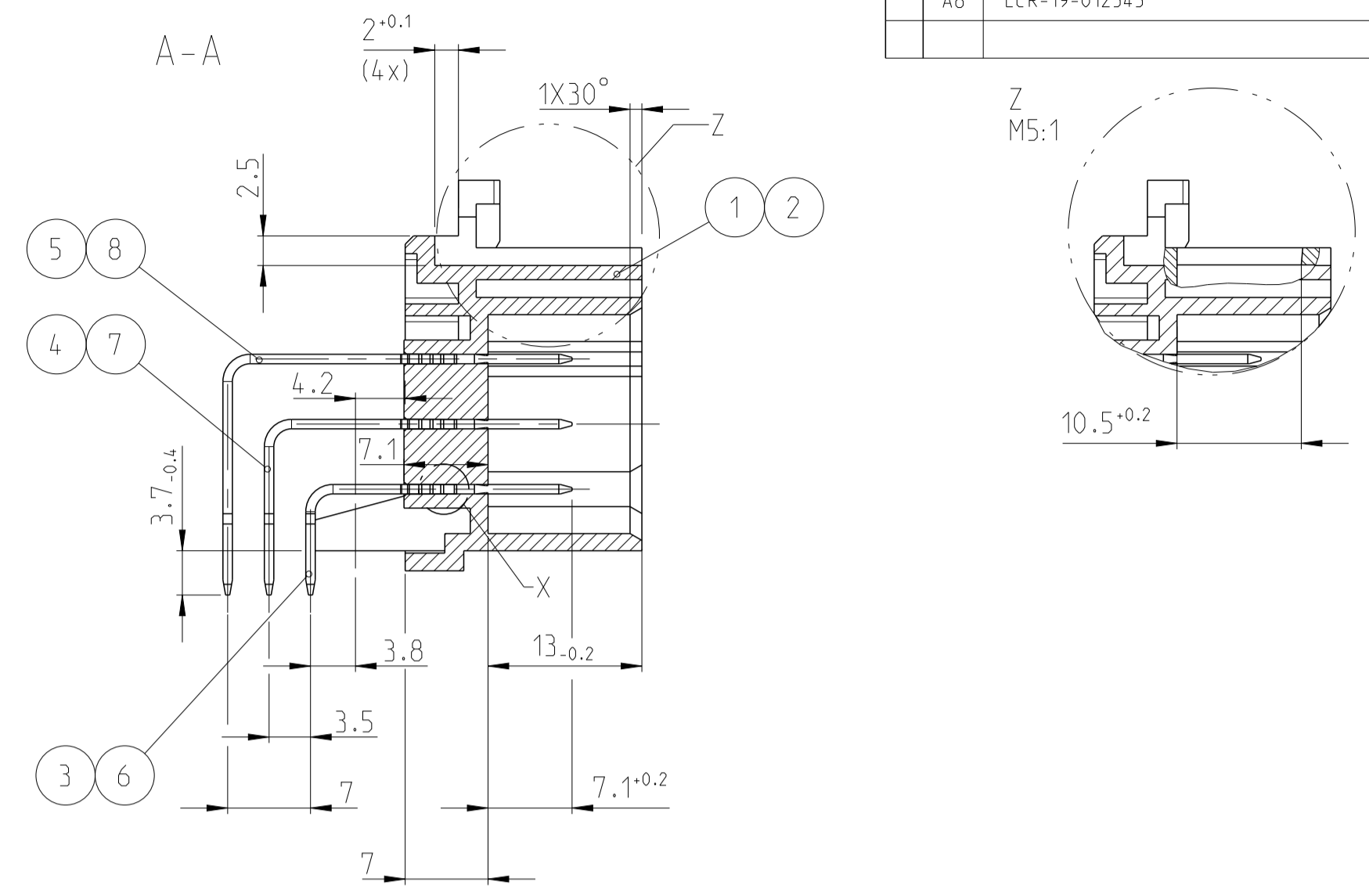
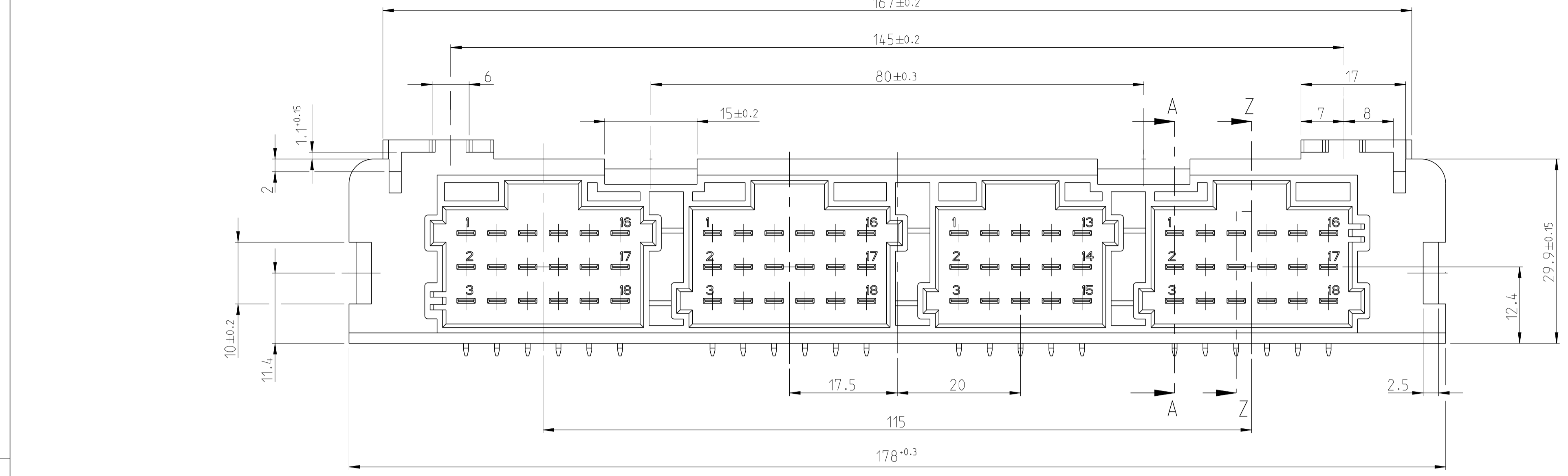


LOC	DIST	REVISIONS					
		P	LTN	DESCRIPTION	DATE	DMN	APVD
A1	-	A6		ECR-17-018181	14DEC2017	MSA	KK
		A7		ECR-19-010651	08JUL2019	MSA	KK
		AB		ECR-19-012545	09AUG2019	MSA	KK



Bemerkungen
NOTES

⚠ Verpackt in Produkttraeger und VDO-Box
Mehrwegverpackung
PACKED IN TRAY AND VDO-BOX
REUSABLE PACKAGING

⚠ Verpackt in Produkttraeger und im Karton
Standard Verpackung (Einweg)
PACKED IN TRAY AND SHIPPING BOX
STANDARD PACKAGING (ONE WAY)

3 verwendbar mit 965555
COULD BE USED WITH 965555

REV.	9-.-2	9-.-1	0-.-2	0-.-1						
23	-	23	-		CuSn 4 F41	versilbert	A	Messer 3mm (48.1mm)	8	
23	-	23	-		CuSn 4 F41	versilbert	A	Messer 3mm (39.1mm)	7	
23	-	23	-		CuSn 4 F41	versilbert	A	Messer 3mm (30.1mm)	6	
-	23	-	23	-	CuSn 4 F41	verzinkt	A	Messer 3mm (48.1mm)	5	
-	23	-	23	-	CuSn 4 F41	verzinkt	A	Messer 3mm (39.1mm)	4	
-	23	-	23	-	CuSn 4 F41	verzinkt	A	Messer 3mm (30.1mm)	3	
1	-	1	-		PA66-GF30	braun	A	Gehaeuse	2	
-	1	-	1	-	PA66-GF30	schwarz	A	Gehaeuse	1	

TE BESTELL-NR. 9-.-2 9-.-1 0-.-2 0-.-1
REV. A A A A

THIS DRAWING IS A CONTROLLED DOCUMENT.
DIMENSIONS: mm
TOLERANCES UNLESS OTHERWISE SPECIFIED: 0.15±0.1
FINISH: #1*

DMN	V. Holzmann	14MAY1996
CHK	M Gebelzahn	14MAY1996
APVD		

NAME: TAB 3.0 (30.1mm)
Messerteile 3mm, 69pol.

SIZE: A1 CAGE CODE: 00779 DRAWING NO: C=967689 SHEET: 1 OF 1 RESTRICTED TO: REV. A8

CUSTOMER DRAWING SCALE: 5:1