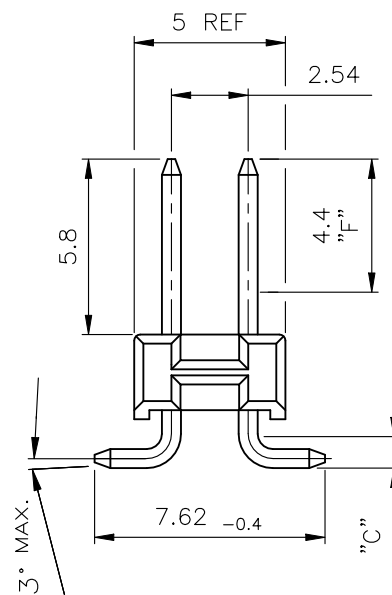
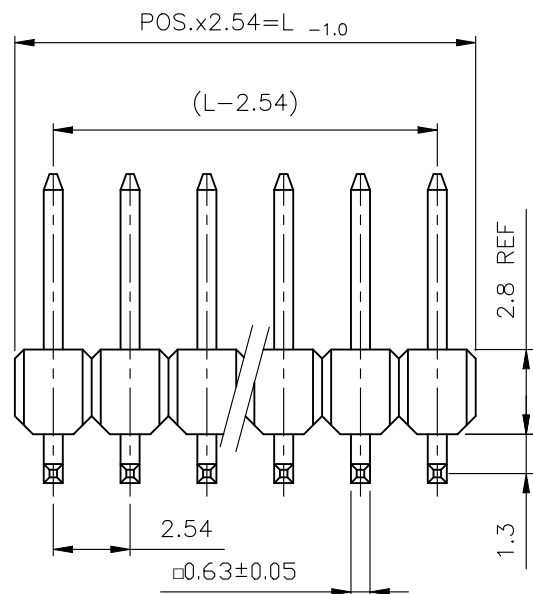
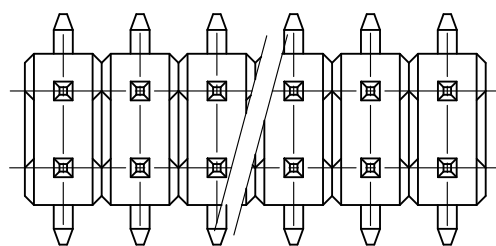
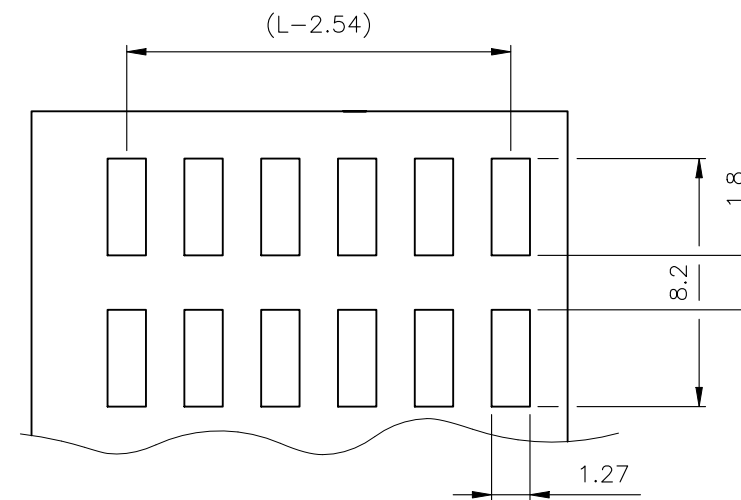


Pos.	L _{-1,0}
2	5,08
3	7,62
4	10,16
5	12,7
6	15,24
7	17,78
8	20,32
9	22,86
10	25,4
11	27,94
12	30,48
13	33,02
14	35,56
15	38,1
16	40,64
17	43,18

P	LTR	DESCRIPTION	DATE	DWN	APVD
	G1	NOTE 1 0.76µm PLATING UPDATE (PdNi+AuFLASH)	13JUL2023	BGC	PS




EMPFOHLENES LEITERPLATTEN LAYOUT
RECOMMENDED PCB-LAYOUT

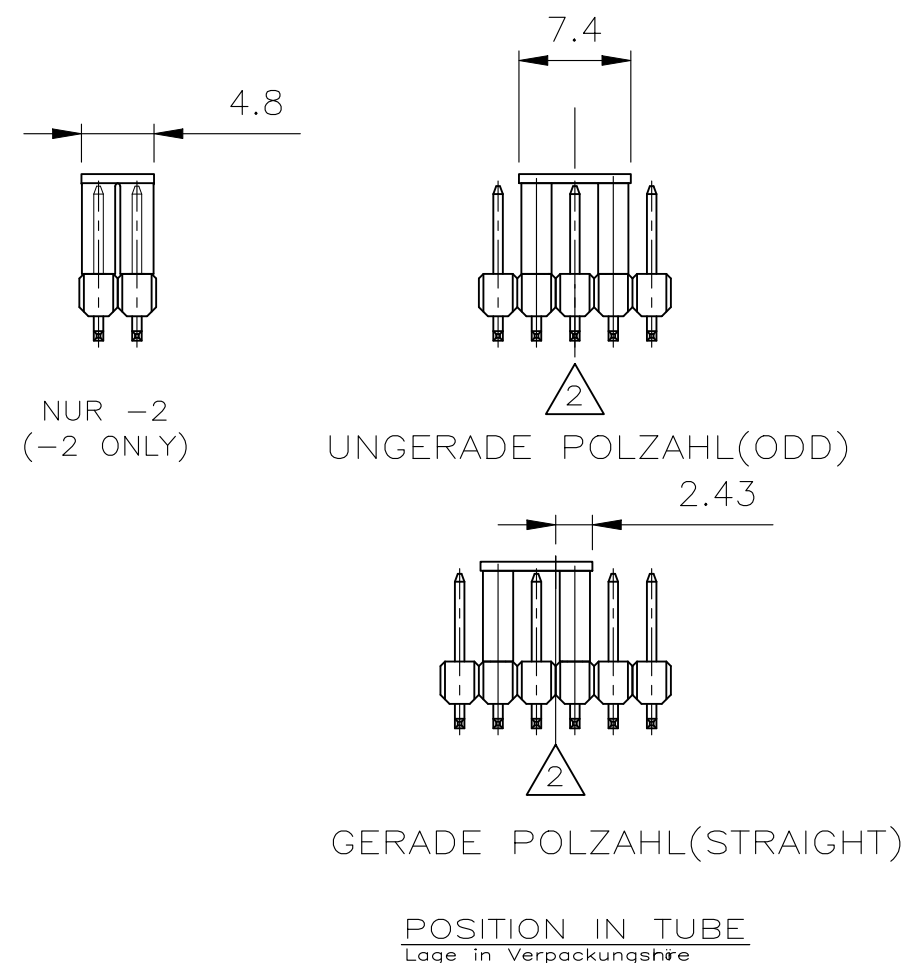
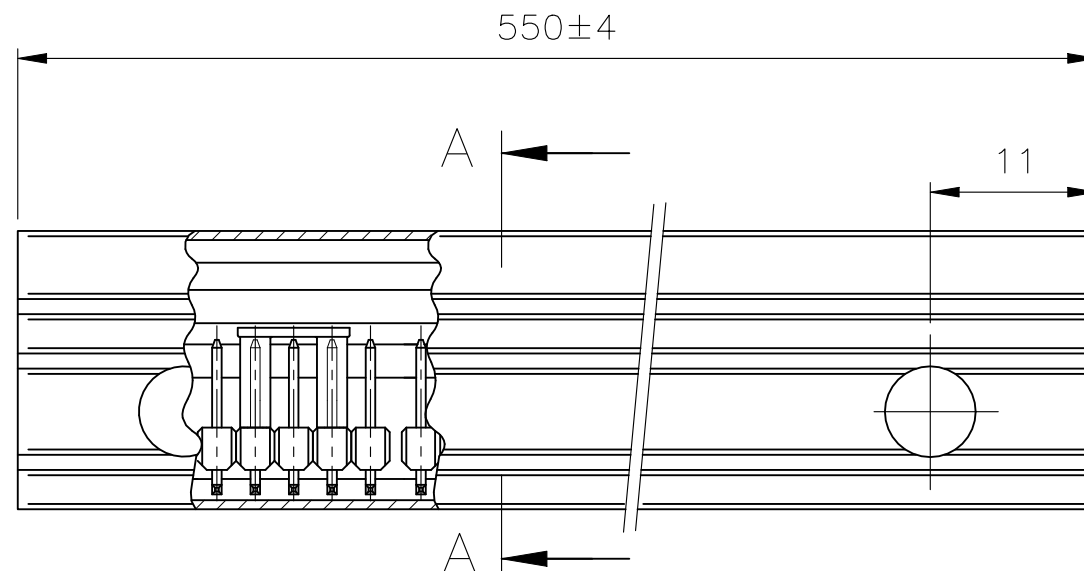
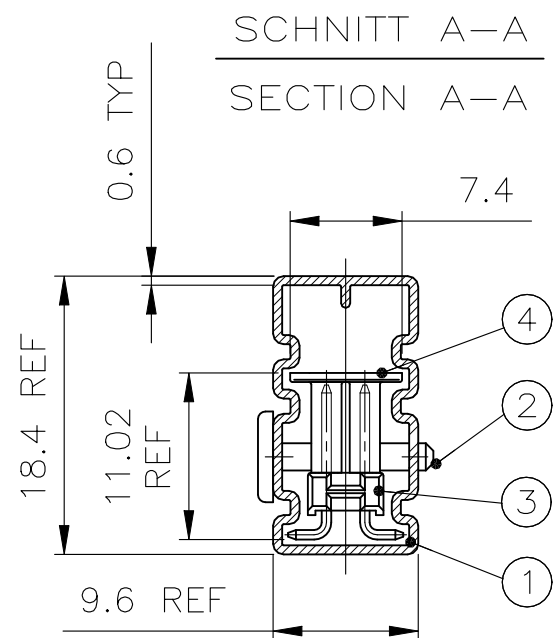


1 MATING SIDE: Min 0.76µm (PdNi + Au FLASH) IN ZONE "F" OVER Min 1.27µm Ni
 (Alternative plating – Min 0.76µm Au OVER Min 1.27µm Ni)
 SOLDER SIDE: 3.0 TO 5.0µm TIN OVER Min 1.27µm NICKEL

KONTAKTSTIFT / CONTACT PIN	Cu Zn	1	2
STIFTGEHÄUSE / PIN HOUSING	PCT-GF	SCHWARZ / BLACK	1
BENENNUNG EINZELTEIL PART DESCRIPTION	WERKSTOFF MATERIAL	OBERFLÄCHE / FARBE SURFACE / COLOR	SI No

THIS DRAWING IS A CONTROLLED DOCUMENT.		DWN A.HO 23MAR1995	 TE Connectivity Ltd.													
DIMENSIONS: mm		CHK M.SCHAARSCHMIDT 23MAR1995														
TOLERANCES UNLESS OTHERWISE SPECIFIED: TOL ± 0.2		APVD -	NAME AMPMODU II PIN HEADER , SMD, PACKED IN TUBE													
<table border="1"> <tr><td>0 PLC</td><td>± -</td></tr> <tr><td>1 PLC</td><td>± -</td></tr> <tr><td>2 PLC</td><td>± -</td></tr> <tr><td>3 PLC</td><td>± -</td></tr> <tr><td>4 PLC</td><td>± -</td></tr> <tr><td>ANGLES</td><td>± -</td></tr> </table>		0 PLC	± -	1 PLC	± -	2 PLC	± -	3 PLC	± -	4 PLC	± -	ANGLES	± -	PRODUCT SPEC 108-18012	SIZE A3	
0 PLC	± -															
1 PLC	± -															
2 PLC	± -															
3 PLC	± -															
4 PLC	± -															
ANGLES	± -															
MATERIAL SEE TABLE		APPLICATION SPEC -	CAGE CODE 00779	DRAWING NO C-966269												
FINISH SEE TABLE		WEIGHT -	RESTRICTED TO -													
CUSTOMER DRAWING			SCALE 2:1	SHEET 1 OF 2												
			REV G1													

REVISIONS					
P	LTR	DESCRIPTION	DATE	DWN	APVD
-	-	SEE SHEET 1	-	-	-



- 5 OBSOLETE PARTS: OBSOLETE CIS STREAMLINING PER D.RENAUD/D.SINISI
- 4 OBSOLETE
- 3 SIEHE TABELLE / SEE TABLE
- 2 MITTELLINIE DER STIFTLAISTE / CENTER LINE OF THE PIN ROW
- 1 AMPMODU II SMD-STIFTLAISTE SIEHE BLATT 1 VON 2. / AMPMODU II SMD-PIN ROW SEE SHEET 1 OF 2.

BESTELL-NR. / PART NO.	POLZ. PROREIHE / POS. PER ROW	VERPACKUNGS-EINHEIT / PACKING UNIT
1-966269-0	10	20
966269-9	9	23
966269-8	8	25
4 966269-7	7	29
4 966269-6	6	34
966269-5	5	41
966269-4	4	51
966269-3	3	69
4 966269-2	2	108

OBSOLETE 5

BESTELL-NR. / PN	POS.	STÜCK / PIECE	BENENNUNG EINZELTEIL / PART DESCRIPTION	WERKSTOFF MATERIAL	OBERFLÄCHE / FARBE / SURFACE / COLOR	SI No
S.TABELLE / SEE TABLE	4	3	ADAPTER	PCT-GF	SCHWARZ / BLACK	4
	3	3	AMPMODU II STIFTL., SMD	1	1	3
	2	2	VERSCHL. STIFT / LOCKS PIN	PP	ROT	2
	1	1	VERPACKUNGSROHR / PACKING PIPE	ANTI-STATISCH	TRANSPAR.	1

THIS DRAWING IS A CONTROLLED DOCUMENT.

DIMENSIONS: mm	TOLERANCES UNLESS OTHERWISE SPECIFIED: TOL ± 0.2
	0 PLC ± 0.2
	1 PLC ±
	2 PLC ± -
	3 PLC ± -
	4 PLC ± -
MATERIAL: SEE TABLE	FINISH: SEE TABLE

DWN A.HO 23MAR1995	TE Connectivity Ltd.
CHK M.SCHAARSCHMIDT 23MAR1995	
APVD - NAME	
PRODUCT SPEC	
APPLICATION SPEC	AMPMODU II PIN HEADER, SMD, PACKED IN TUBE
108-18012	SIZE: A3 CAGE CODE: 00779 DRAWING NO: C-966269 RESTRICTED TO: -
WEIGHT: -	SCALE: 2:1 SHEET: 2 OF 2 REV: G1
CUSTOMER DRAWING	