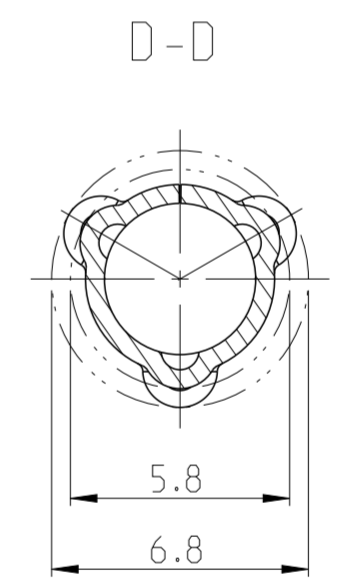
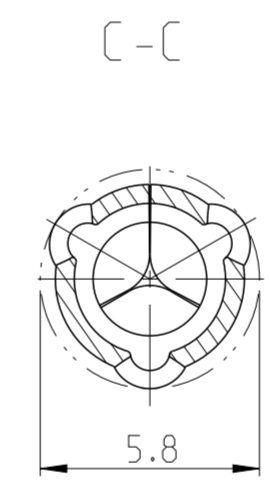
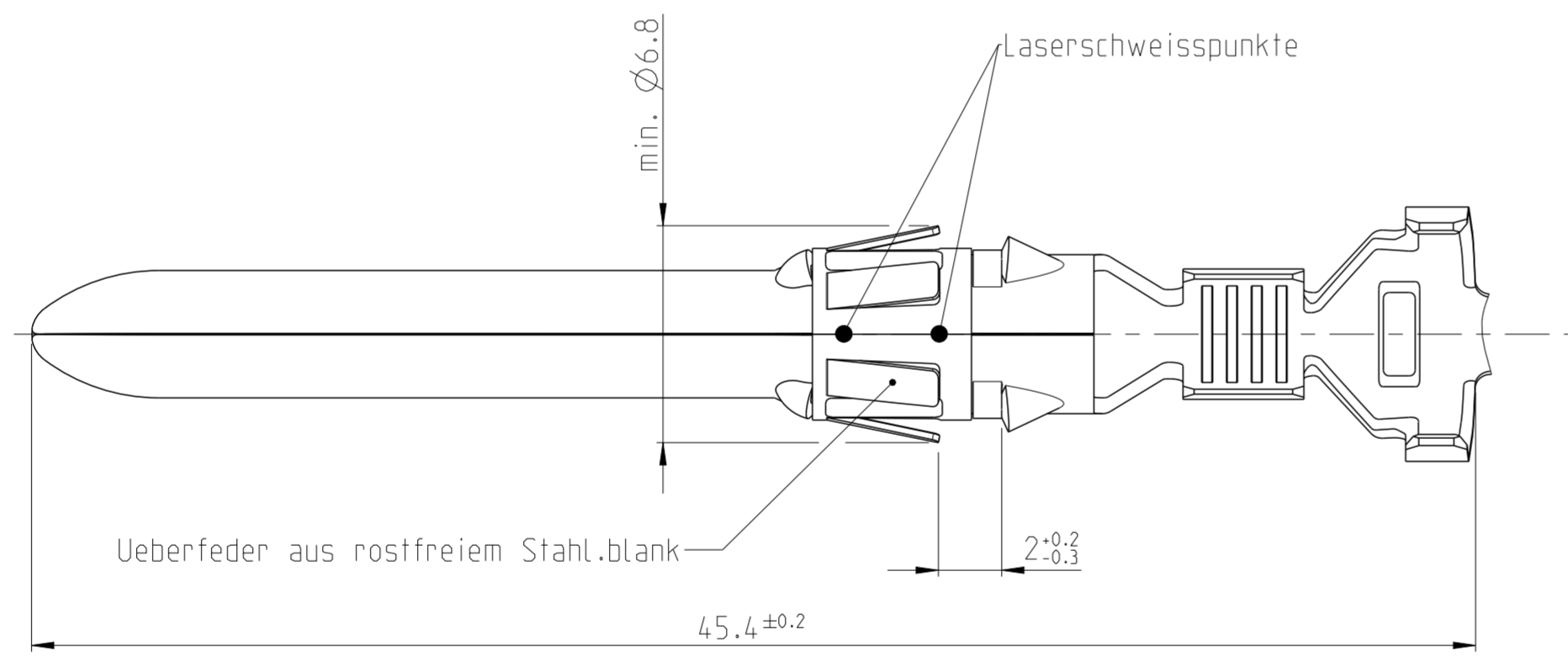
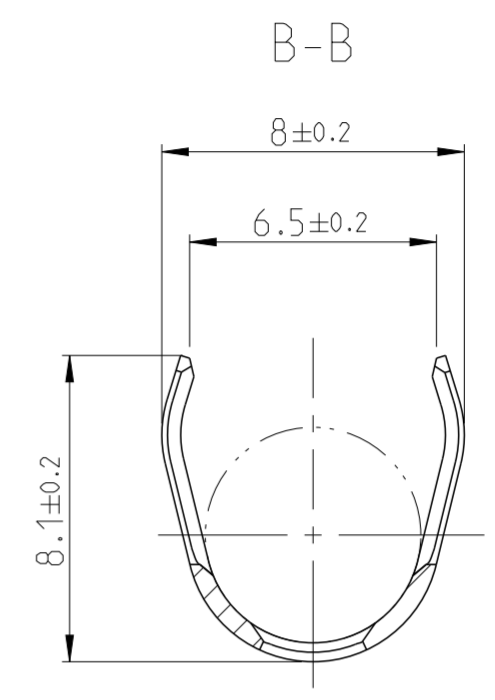
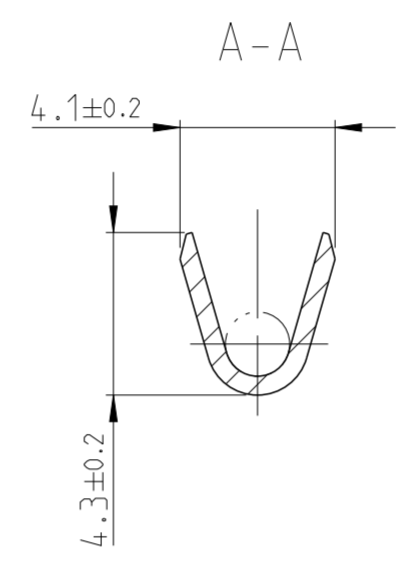
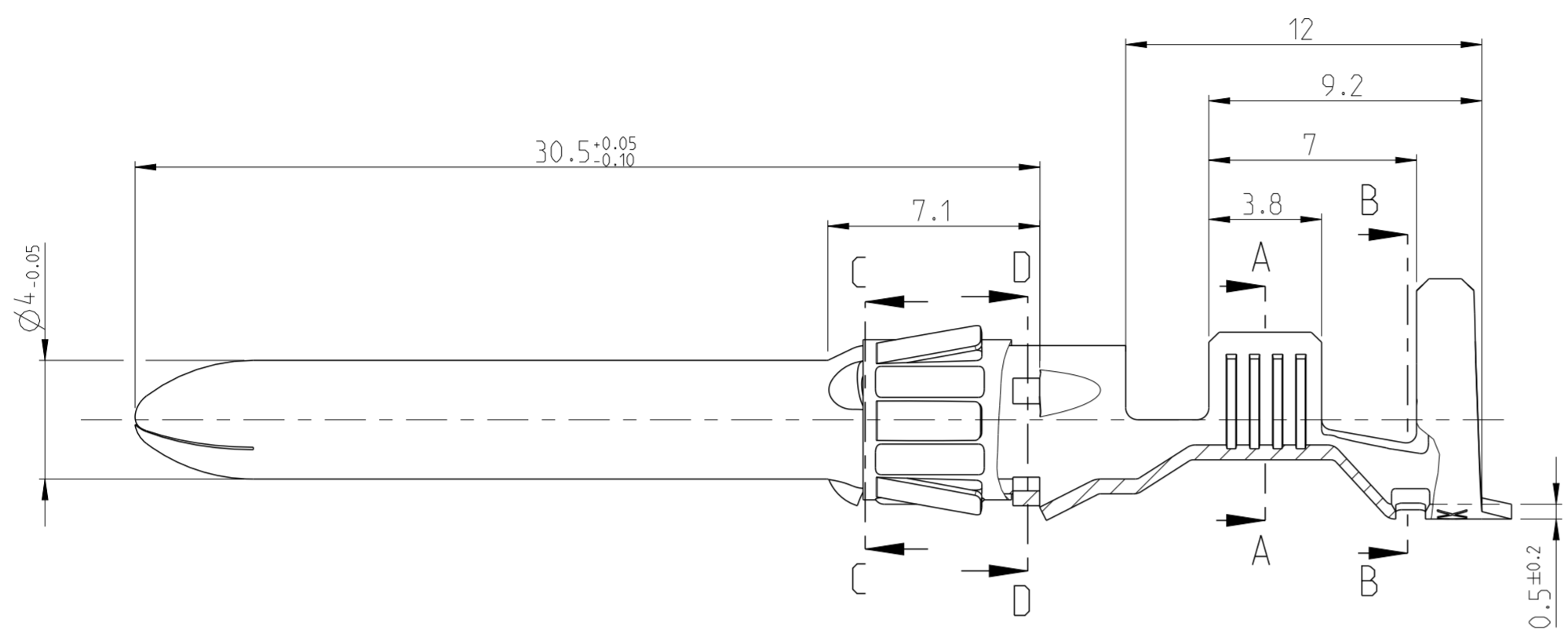
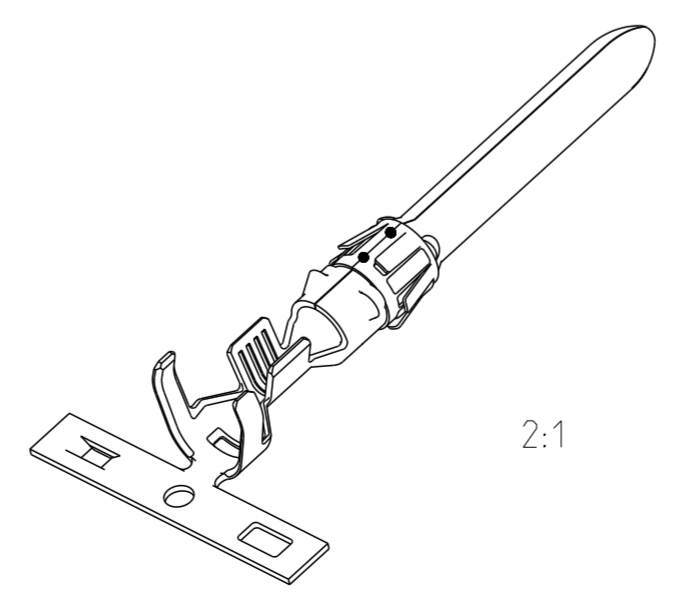


THIS DRAWING IS UNPUBLISHED. RELEASED FOR PUBLICATION
 © COPYRIGHT copyright_date BY - ALL RIGHTS RESERVED.

REVISIONS				
P	LTR	DESCRIPTION	DATE	APVD
	F1	AutoCAD to Creo	10DEC2018	MN MN



- 1. Verarbeitungsspezifikation 114-18072
- 2. Produktspezifikation 108-18304



Drahtgrossenbereich: 1.0 bis 2.5mm²
 Isolationscrimp fuer Einzeldichtung

0-965863-1	0-965839-1	F
LP-NO.	PART NO.	REV.

THIS DRAWING IS A CONTROLLED DOCUMENT.		DWN LUTSCH 04AUG1992	STE TE Connectivity	
		CHK TRAJKOV 04AUG1992		
DIMENSIONS: mm	TOLERANCES UNLESS OTHERWISE SPECIFIED:	APVD -	NAME DIA 4mm PIN CONTACT DIA 4mm Stiftkontakt	
	PLC ±0.15	PRODUCT SPEC -	SIZE A2	
	ANGLES ±2°	APPLICATION SPEC -	CAGE CODE 00779	DRAWING NO. 965839
MATERIAL CuNiZn	FINISH Blank	WEIGHT -	RESTRICTED TO -	
CUSTOMER DRAWING			SCALE 5:1	SHEET 1 OF 1