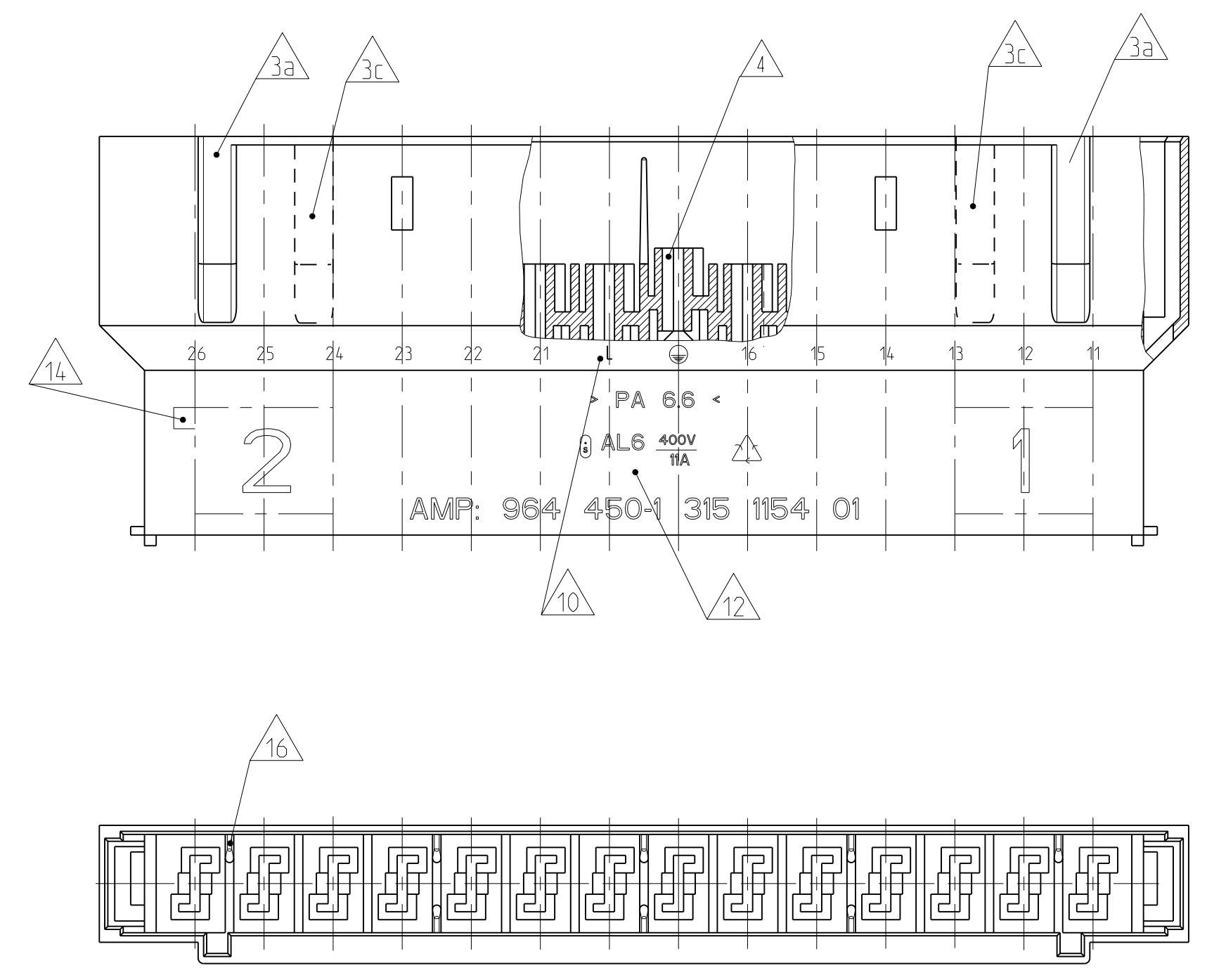
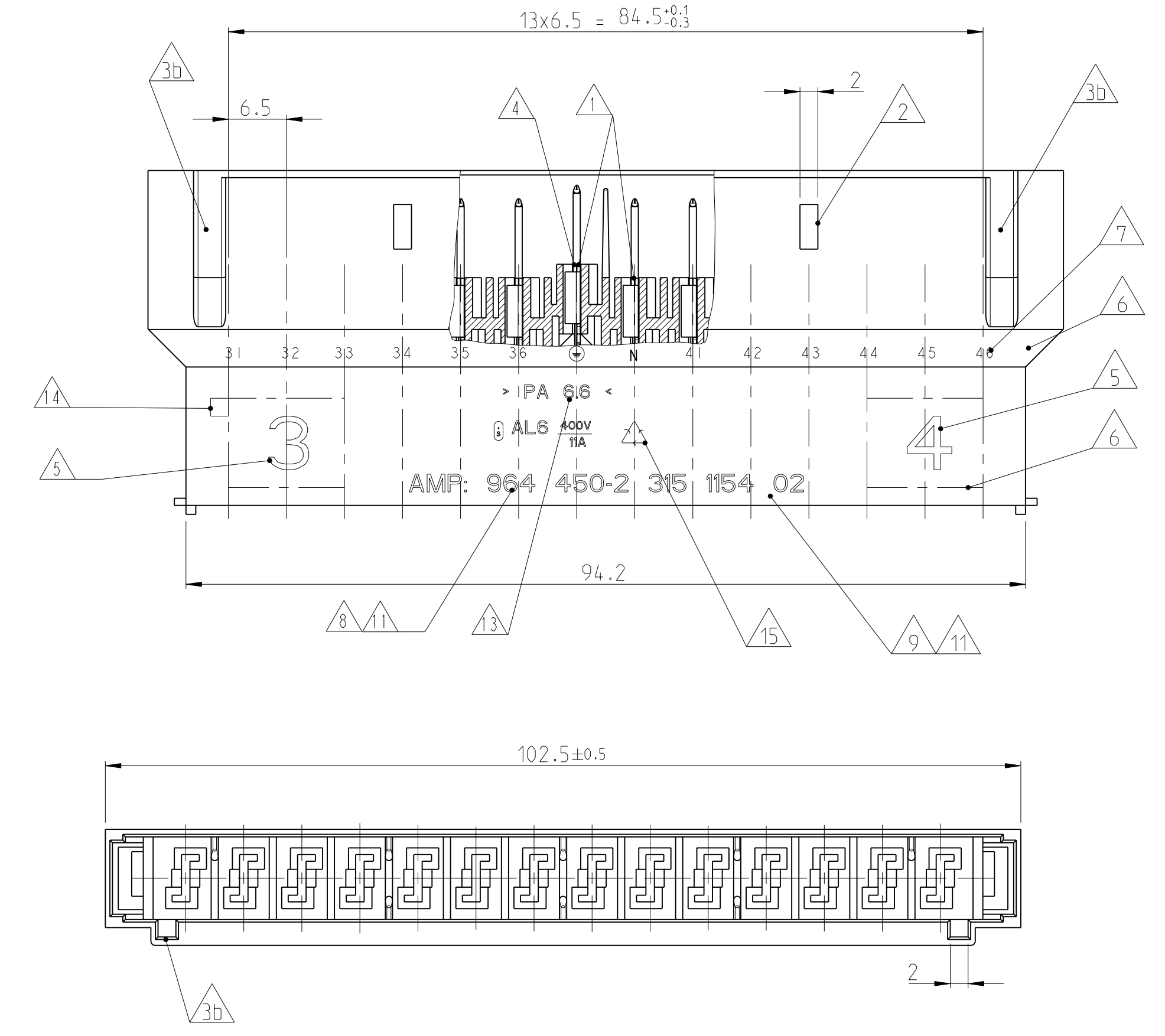
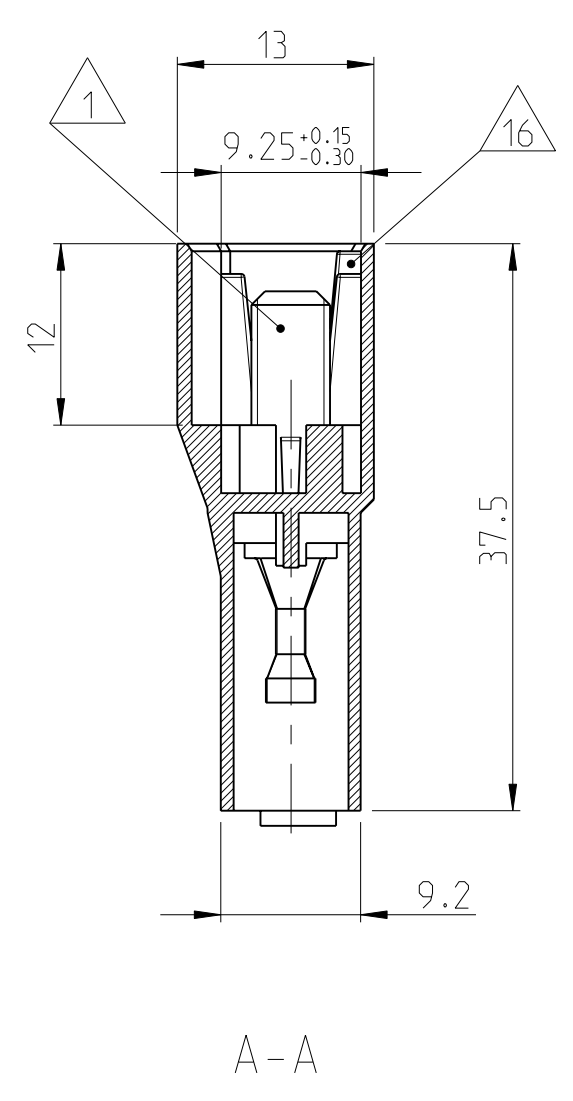
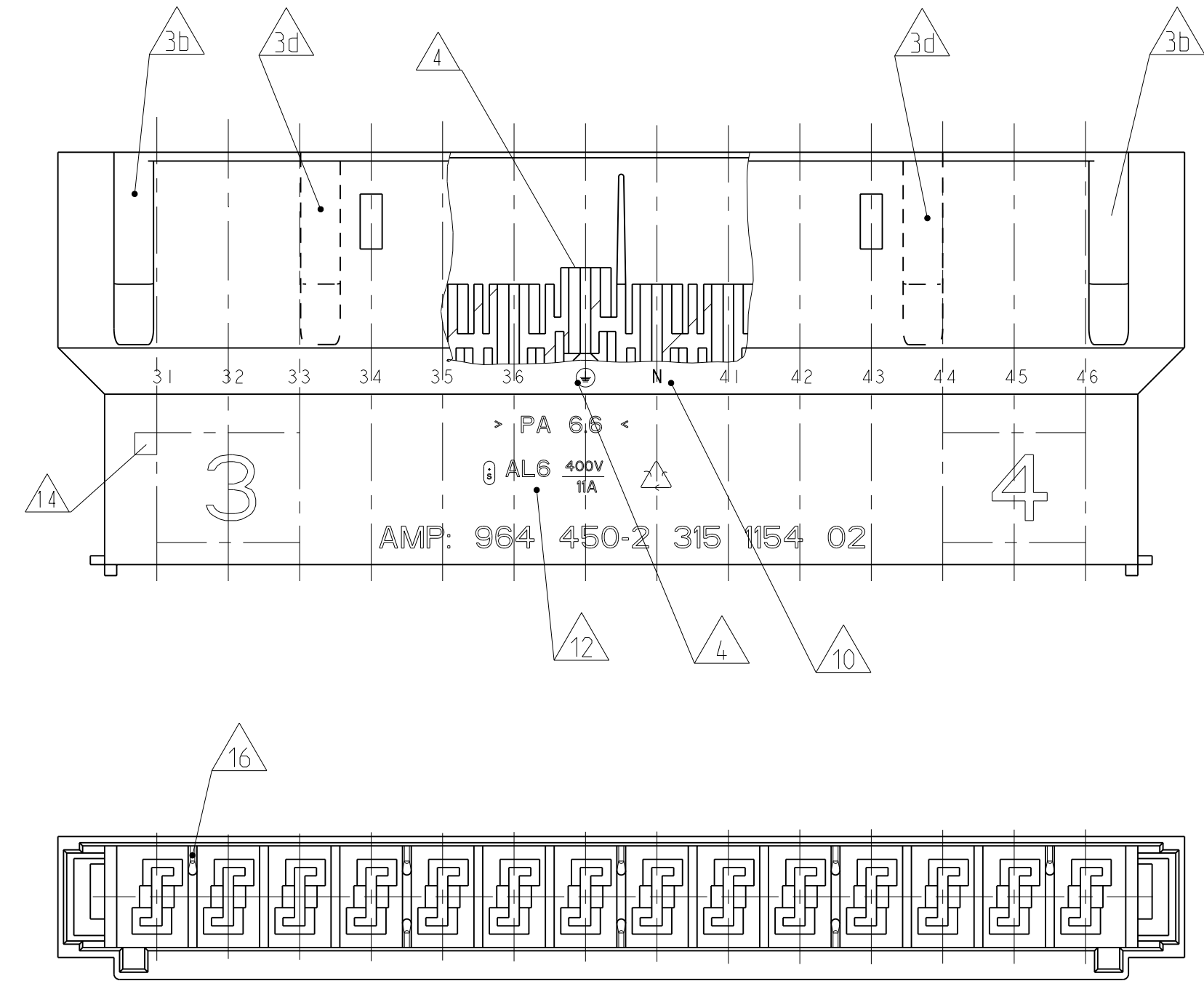


LOC	DIST	REV	DATE	BY	APPV
A1	-	-	-	-	-

REV	DESCRIPTION	DATE	BY	APPV
C	RIBS EXTENDED AT THIS AREA. SEE NOTE 16	27AUG2010	DMK	TK
D	REVISED AS PER ECR-11-016188 - NEW VERSION -7 AND -8 ADDED. COLOUR CHANGED FOR VERSIONS -1 AND -2	17AUG2011	DMK	RRP
E	REVISED AS PER ECR-11-019950	30SEP2011	DMK	RRP
E1	DRAWING CLARIFICATION (ECR-11-022895)	1NOV2011	DMK	RRP

VARIANTE



- △1 CAVITY SUITABLE FOR POSITIVE MATE TAB CONTACT e.g. 1-928 765-2 (DGB 0.65-2.5mm²) THIS CONTACT WILL BE SUPERCEDED BY PN 969 031 (0.5-1mm²) AND PN 969 032 (>1-2.5mm²)
- △2 PITCH-HOLES TO LOCK WITH MATING CONNECTORS.
- △3a △3b △3c △3d KEYING SLOTS FOR HOUSING SEE TABLE
- △4 CAVITY FOR 1.5mm LEADING GROUNDING-PIN
- △5 ELECTROLUX CODE-NO.
- △6 PLACE FOR MAT NUMBER ON POLISHED AREA
- △7 CAVITY NO.
- △8 TE PART-NO.
- △9 ELECTROLUX PART-NO.
- △10 CAVITY NAME
- △11 CHARACTERS AND LETTERS PER DIN 1451

- △12 PLACE FOR MARKING
- △13 PLACE FOR MATERIAL MARKING
- △14 PLACE FOR MOULD CAVITY NO.
- △15 RECYCLING SIGN.
- △16 RIB EXTENDED FOR ALL VERSIONS PN 964450-1, -2, -3 AND -4.
- △17 MARKING OF "TE P/N" △8 AND "ELECTROLUX P/N" △9 ARE SAME AS 964450-3 VERSION
- △18 MARKING OF "TE P/N" △8 AND "ELECTROLUX P/N" △9 ARE SAME AS 964450-4 VERSION
- △19 MARKING OF "TE P/N" △8 AND "ELECTROLUX P/N" △9 ARE SAME AS 964450-1 VERSION
- △20 MARKING OF "TE P/N" △8 AND "ELECTROLUX P/N" △9 ARE SAME AS 964450-2 VERSION

ONLY FOR ELECTROLUX

TE PART-NO.	TE PART-NO.	KEYING	NAME	MATERIAL	COLOUR
-	964 450-8 △8	L2 △3d	34	14 POS. POSITIVE MATE TAB HSG.	PA 6.6 GREY
-	964 450-7 △7	L1 △3c	12	14 POS. POSITIVE MATE TAB HSG.	PA 6.6 GREEN
-	964 450-6 △6	N △3b	34	14 POS. POSITIVE MATE TAB HSG.	PA 6.6 YELLOW
-	964 450-5 △5	L △3a	12	14 POS. POSITIVE MATE TAB HSG.	PA 6.6 ORANGE

315 1154 04	964 450-4	L2 △3d	34	14 POS. POSITIVE MATE TAB HSG.	PA 6.6 BLUE
315 1154 03	964 450-3	L1 △3c	12	14 POS. POSITIVE MATE TAB HSG.	PA 6.6 RED
315 1154 02	964 450-2	N △3b	34	14 POS. POSITIVE MATE TAB HSG.	PA 6.6 NATURAL
315 1154 01	964 450-1	L △3a	12	14 POS. POSITIVE MATE TAB HSG.	PA 6.6 BLACK

THIS DRAWING IS A CONTROLLED DOCUMENT.

DIMENSIONS:	TOLERANCES UNLESS OTHERWISE SPECIFIED:	DMK	11.01.93
mm	±0.2 mm	CHK	ATZMANN
		APVD	FLIBITSCH
			11.01.93
			NAME
			14 POS. POSITIVE MATE TAB HOUSING
			SIZE CAGE CODE DRAWING NO
			A1 00779 C=964450
			RESTRICTED TO
			CUSTOMER DRAWING
			SCALE 1:1 SHEET 1 OF 1 REV E1