

REVISIONS				
P	LTR	DESCRIPTION	DATE	APVD
	A1	2-964301-1 is Discontinued	15JUL2016	JJH Mrez


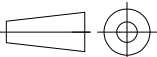
CUSTOMER DRAWING
 FOR PN 964301
 SEE 1355364

RELEASED FOR PUBLICATION
 FREI FUER VEROFFENTLICHUNG
 ALL RIGHTS RESERVED.

THIS DRAWING IS UNPUBLISHED.
 VERTRAULICHE UNVEROFFENTLICHTE ZEICHNUNG.

© COPYRIGHT -- By --

A1	OBSOLETE	2-964301-1	C
		1-964301-3	C
	LP NO		REV

DIMENSIONS: MASSENHHEITEN mm	DWN T. Konecny	7JUN2005	MATERIAL -	FINISH OBERFLAECHE/FARBE -
	CHK -		 TE Connectivity	
TOLERANCES UNLESS OTHERWISE SPECIFIED: ALLGEMEINTOLERANZEN	APVD M. Brunner	7JUN2005		
	0 PLC ± - n. ISO 8015 1 PLC ± - n. ISO 7738 - mH -E 2 PLC ± - n. DIN 16901 - 140	PRODUCT SPEC PRODUKTSPEZ. -		SIZE A4
3 PLC ± - 4 PLC ± -	APPLICATION SPEC VERARBEITUNGSSPEZ. -		DRAWING NO ZEICHNUNGS-NR. C-964301	RESTRICTED TO NUR FUER -
ANGLES/WINKEL ± -	WEIGHT GEWICHT	0.000000		
	CUSTOMER DRAWING / KUNDENZEICHNUNG			SCALE MASSSTAB -
			SHEET BLATT	1 OF 1
			REV	A1