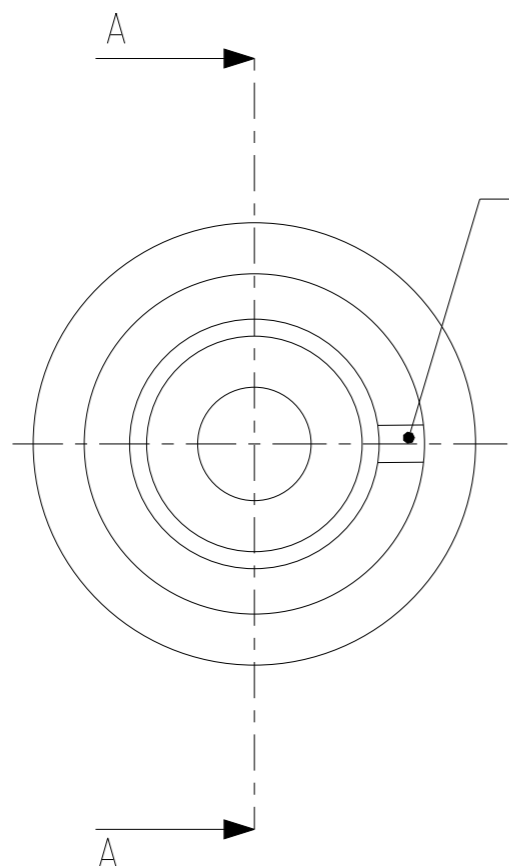


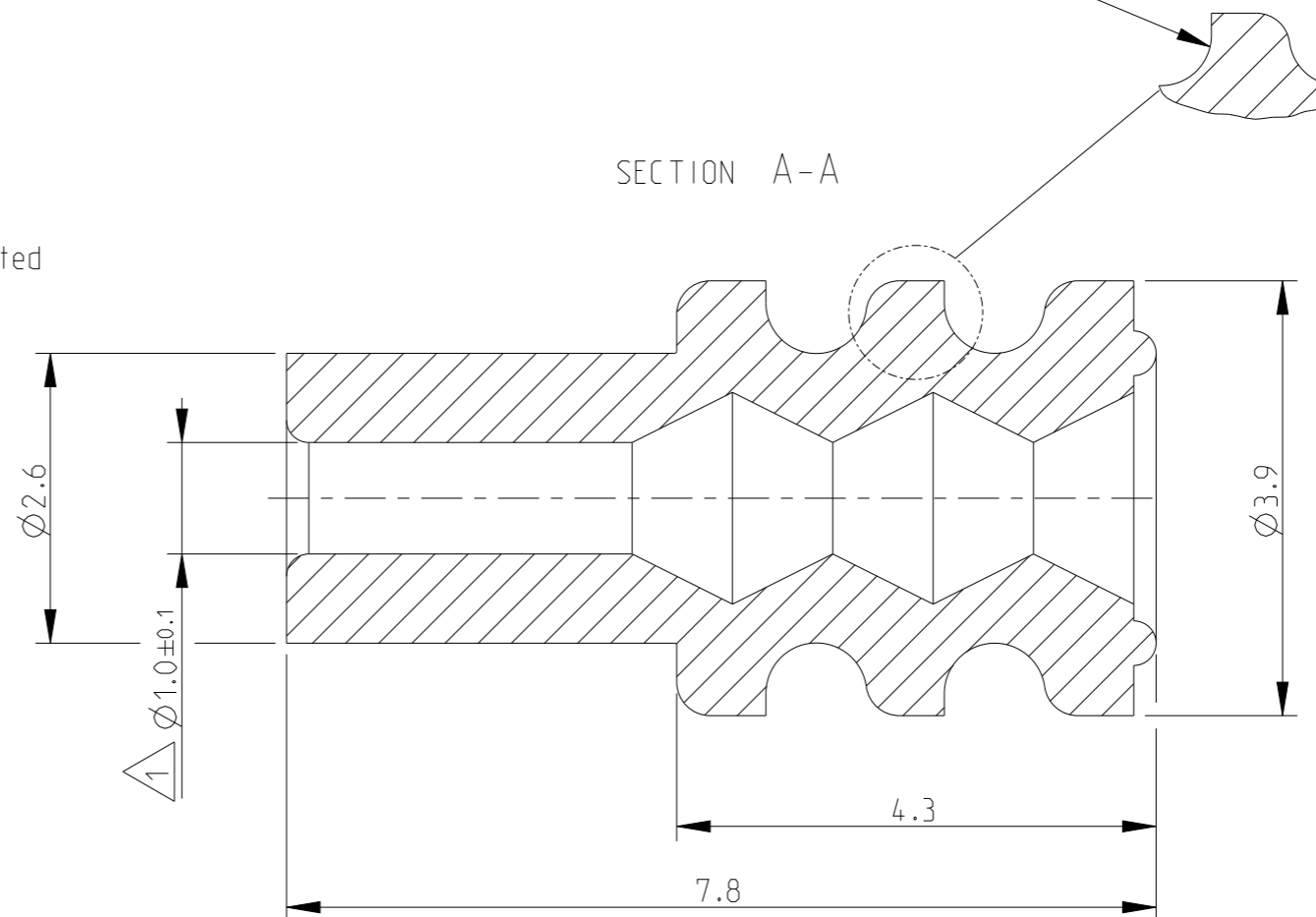
REVISIONS

P	LTR	DESCRIPTION	DATE	DWN	APVD
B6		Revised ECO-17-009821	04JUL2017	A.Ma	S.Kr
B7		REMOVED NOTE FOR 1-963530-1	14JAN2019	JJH	A.Ma
B8		(5-) DASHVERSION HAS BEEN ADDED	03JAN2024	BV	SZG



Alternative admitted shape of central lip

SECTION A-A



1 For wire insulation \varnothing 1.4-1.9 mm (0.5-0.75 mm² FLR)

2 Heat post-treatment process

Part No.	Material	Color	Finish
B8 5-963530-1	Silicone Shore A 50 self-lubricated	same as 963530-1	-
B7 1-963530-1		Green	2
963530-1		Gray	-
PN	Raw Material	Color	Finish

THIS DRAWING IS A CONTROLLED DOCUMENT.

DIMENSIONS: mm



MATERIAL See table

TOLERANCES UNLESS OTHERWISE SPECIFIED:

0 PLC	±	
1 PLC	±0.2	mm
2 PLC	±	
3 PLC	±	
4 PLC	±	
ANGLES	±	
FINISH	-	

DWN S.Denter 05AUG1991

CHK W.Pfeffer 05AUG1991

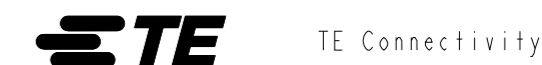
APVD -

PRODUCT SPEC -

APPLICATION SPEC -

WEIGHT -

CUSTOMER DRAWING



NAME SINGLE WIRE SEAL INS. DIA 1.4-1.9mm
Fuer Flachkontakt und Flachstecker 1.5mm
(Mikro Timer 2 Kontaktsystem)

SIZE	CAGE CODE	DRAWING NO	RESTRICTED TO
------	-----------	------------	---------------

A3	00779	C=963530	-
----	-------	----------	---

SCALE 15:1	SHEET 1 OF 1	REV B8
------------	--------------	--------