

LOC	DIST	REVISIONS				
P	LTR	DESCRIPTION	DATE	DWN	APVD	
A1	-					
	A1	REVISED PER ECO-11-005150	28MAR11	RK	HMR	

Siehe Produktgruppenzeichnung
929453

REFER TO PRODUCT GROUP DRAWING
FOR LATEST INFORMATION
ON THE PART
929453

19


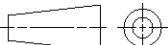
RELEASED FOR PUBLICATION

ALL RIGHTS RESERVED.

THIS DRAWING IS UNPUBLISHED.

BY -

© COPYRIGHT

DIMENSIONS: mm	DWN S. Garcia	30SEP99	MATERIAL	-	FINISH	-
	CHK R. Jetter	30SEP99	 TE Connectivity			
TOLERANCES UNLESS OTHERWISE SPECIFIED:	APVD	-				
0 PLC ±-	PRODUCT SPEC	-	NAME MQS Stiftkontakt MQS PIN CONTACT			
1 PLC ±-		-				
2 PLC ±-	APPLICATION SPEC	-	SIZE	CAGE CODE	DRAWING NO	RESTRICTED TO
3 PLC ±-		-	A4	00779	C=962886	-
4 PLC ±-	WEIGHT	-	CUSTOMER DRAWING			
ANGLES ±1°			SCALE	%	SHEET	OF
						REV
						A1