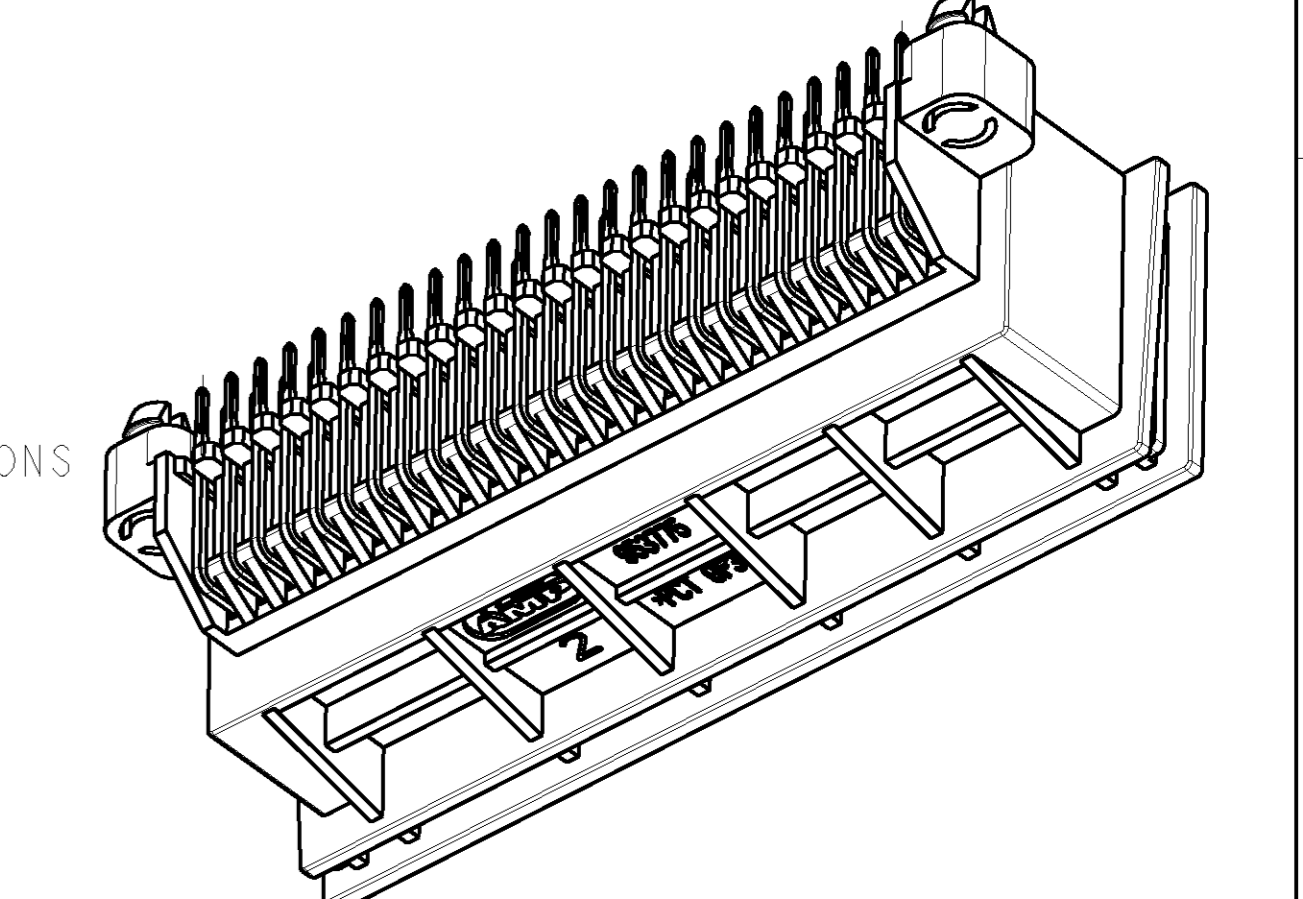
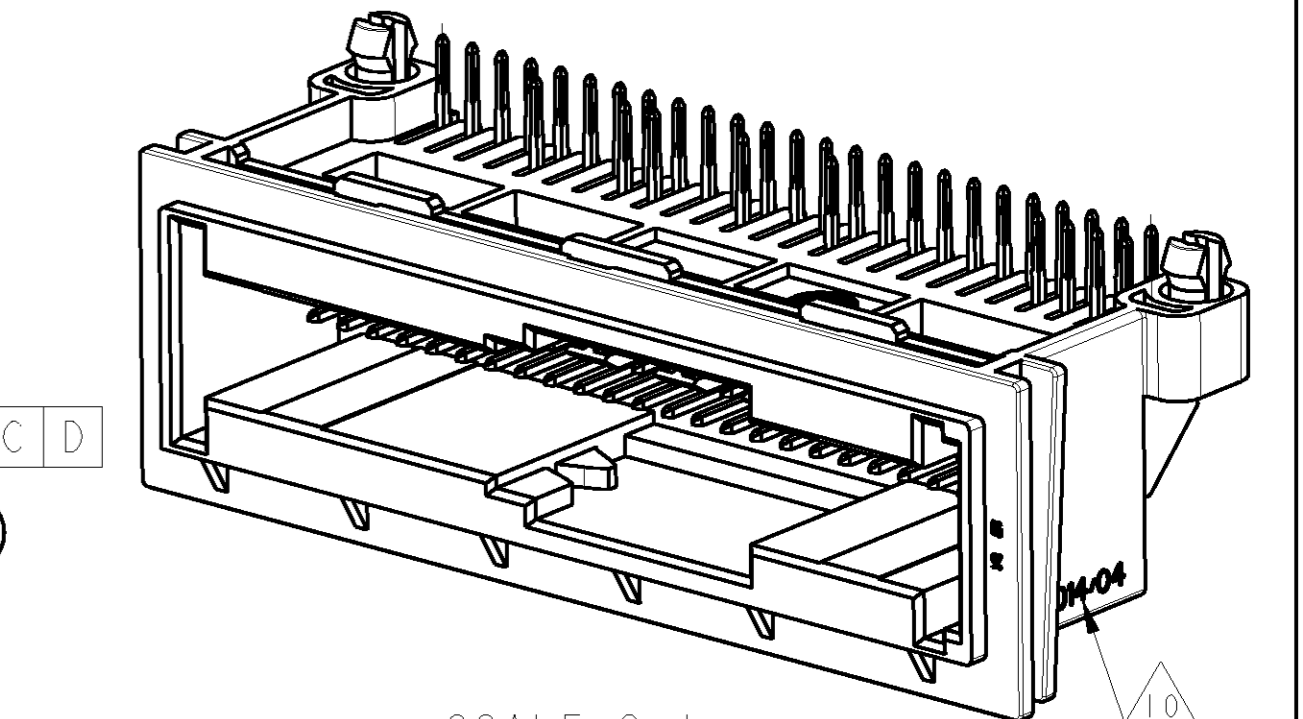
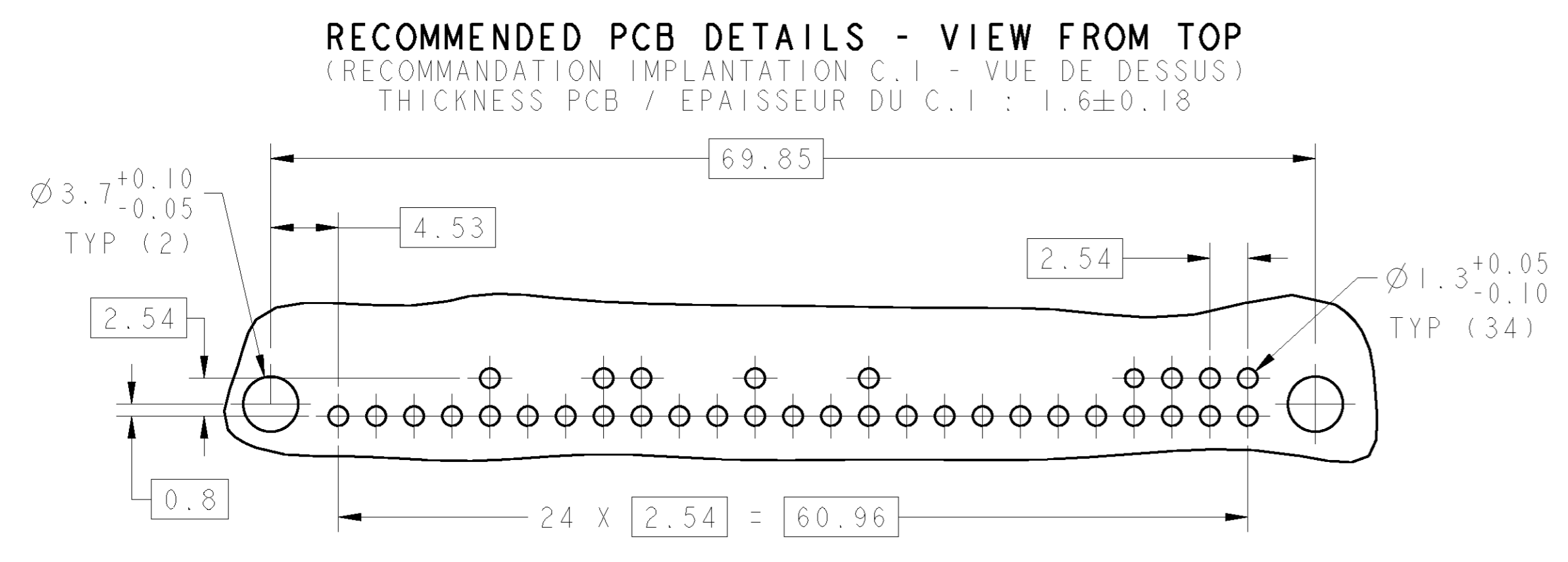


LOC	DIST	REVISIONS				
		LTB	DESCRIPTION	DATE	OWN	APPV
E			CHANGEMENT MATIERE ET REFERENCES	28MAR2002	SG	JJR
F			AJOUT GODRONS INTERFACE	25/04/03	FV	JL
G			CHANGEMENT REFERENTIEL	20/02/04	FV	JL
H			AJOUT NERVURES	10/03/05	S1	JL



- NOTES:
- ACCORDING TO AMP SPEC 208-15552. (En accord avec la spec. d'interface AMP 208-15552).
  - TIN PLATED LEAD FREE 0.8 TO 3.3um (Sn) OVER NICKEL, 2.5um MINI ON SOLDER AREA. (Etamage sans plomb 0.8 a 3.3um Sn sur Ni, 2.5 um mini sur la zone de soudure).
  - GOLD PLATED 0.4um MINI OVER NICKEL ON WAYS 1 TO 25. (Dorure 0.4um mini sur Ni sur voies 1 a 25).
  - DATE CODE. (Date code).
  - AMP LOGO. (Logo AMP).
  - ASS'Y PART NUMBER. (Reference du produit assemble).
  - CAVITY MARKING. (Numero d'empreinte du moule).
  - REVISION STATUS. (Indice de revision du moule).
  - MATERIAL REFERENCE: PCT GF30 Thermx CG033 (Reference matiere).
  - ASS'Y DATE CODE.: DAY NUMBER/YEAR (Date d'assemblage : N° du jour /Année).
- Capability dimensions



PART NUMBER (Reference)	DESCRIPTION	MATERIAL (Matiere)	FINISH (Finition)	CONTACT	ITEM (Rep)
953775-1					
25	MQS LONG PIN (Broche longue MQS)	CuSn6	3	1-25	3
9	MQS SHORT PIN (Broche courte MQS)	CuSn6	2	30, 33, 34, 37, 40, 47-50	2
1	HOUSING (Boitier)	PCT GF30	ORANGE	-	1
QTY (Qte)	DESCRIPTION	MATERIAL (Matiere)	FINISH (Finition)	CONTACT	ITEM (Rep)

DIMENSIONS UNIT: mm		SAUF SPECIFICATION CONTRAIRE/ UNLESS OTHERWISE NOTED	
SUPLY / FOURNISSEUR	DATE	VERIFIEE / CHECKED	DATE
JF.TARTROU		VRAFFIN	
EMBASE 34V MQS + 8 LEVE SHUNTS			
Autoliv		AUTOLIV ELECTRONICS EUROPE	
21/23 Rue du Petit Alb		18677223-0	
95800 CERGY ST CHRISTOPHE		G01	
OWNER: A. DUPUIS 24MAR99		AMP DE FRANCE	
CHK: J. LAQUERRE 25MAR99		95301 PONTOISE	
APPV: J.L. REVILL 25MAR99		NAME: BENT HEADER 34 WAYS + 8 SHUNTS MQS	
PRODUCT SPEC: 108-15244		TO SOLDER ON PCB	
APPLICATION SPEC: -		(EMBASE COUDEE 34 VOIES + 8CC MQS)	
MATERIAL: -		SIZE: A1	
FINISH: -		CAGE CODE: 00779	
WEIGHT: 15.3g		DRAWING NO: 953775	
CUSTOMER DRAWING		SCALE: 3:1	