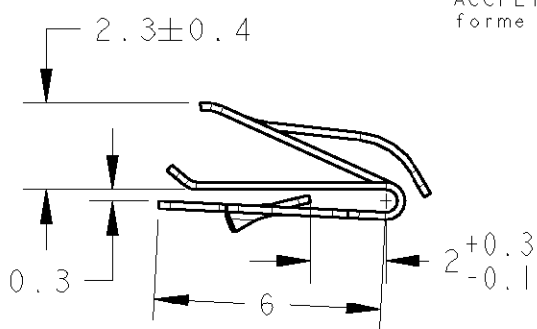
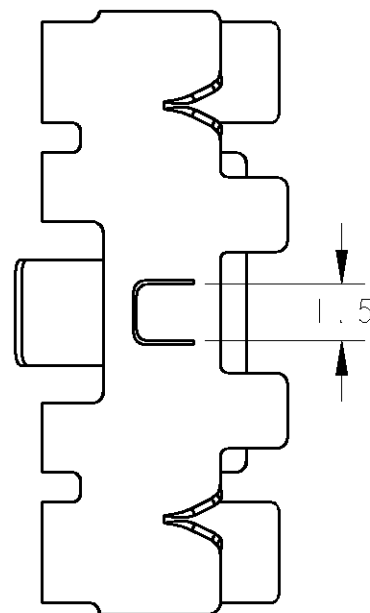
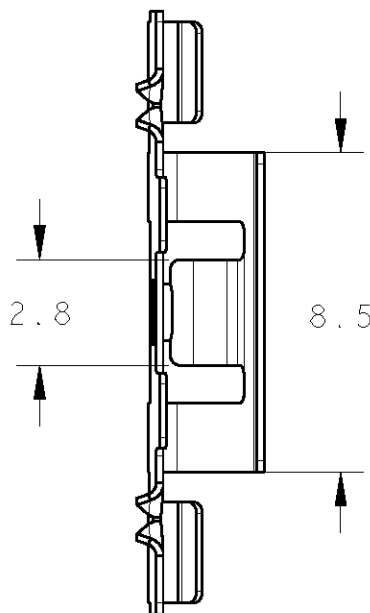
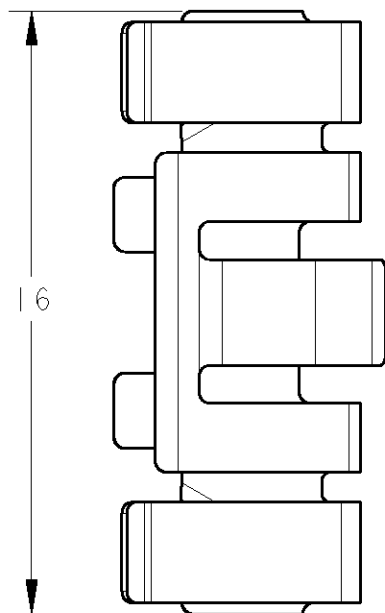
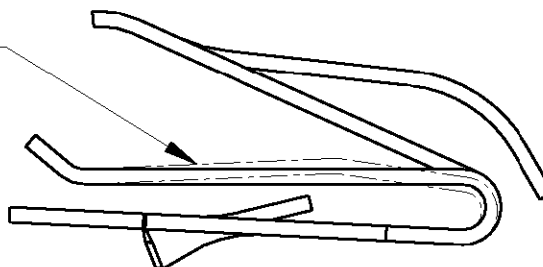


LOC	DIST	REVISIONS			
P	LTR	DESCRIPTION	DATE	DWN	APVD
F	00				
	0	RELEASED	25MAY2004	RC	OD
	A	DRAWING IN CONFORMITED WHIT CURRENT SHAPE	11OCT2004	RC	OD



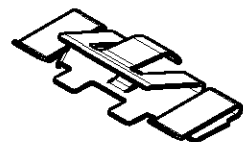
ACCETABLE SHAPE
forme acceptable



NOTES :

ECHELLE 10:1

- 1 MATERIAL : STAINLESS STEEL
- 2 MATERIAL THICKNESS: 0.2mm
- 3 GENERAL TOLERANCES ±0.2



ECHELLE 2:1



LOOSE PIECE PN
(ref. vrac)

1-953771-2

RELEASED FOR PUBLICATION

THIS DRAWING IS UNPUBLISHED.

BY TYGO ELECTRONICS CORPORATION. ALL RIGHTS RESERVED.

© COPYRIGHT 20

DIMENSIONS: mm	DWN	E. GARCIA	21MAR2004	MATERIAL	SEE NOTES	FINISH	-
	CHK	O. DALINO	21MAR2004		AMP DE FRANCE		
TOLERANCES UNLESS OTHERWISE SPECIFIED:	APVD	O. DALINO	21MAR2004		95301 PONTOISE		
PRODUCT SPEC	NAME						
	SHIELDING FINGERS						
APPLICATION SPEC	SIZE			CAGE CODE	DRAWING NO	RESTRICTED TO	
WEIGHT	A4			00779	C=953771	-	
CUSTOMER DRAWING				SCALE	5:1	SHEET	1 OF 1
						REV	A