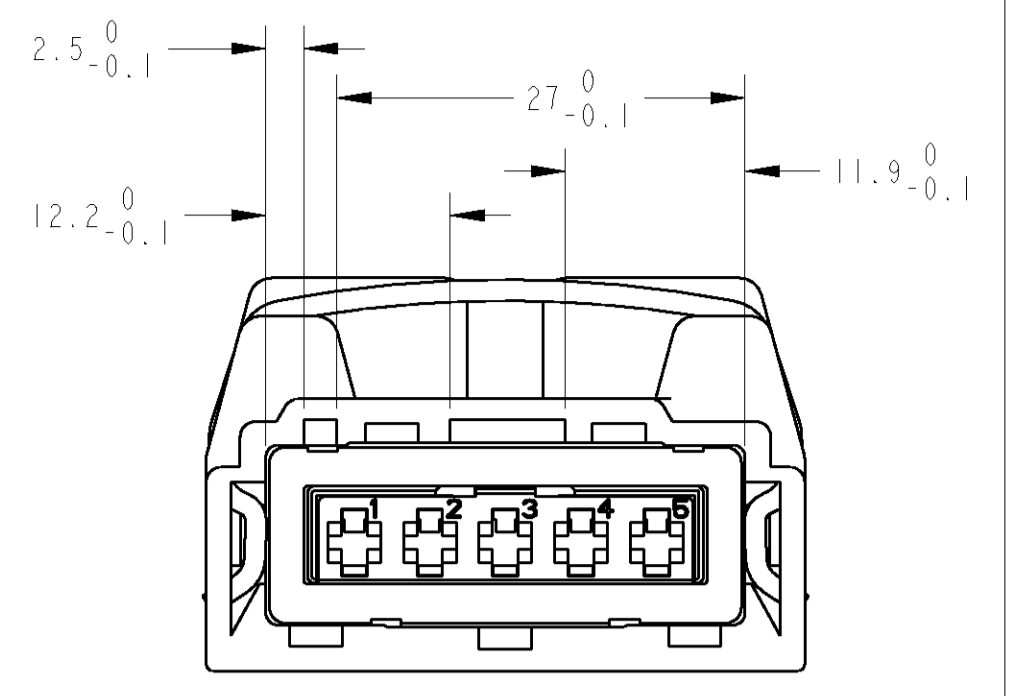
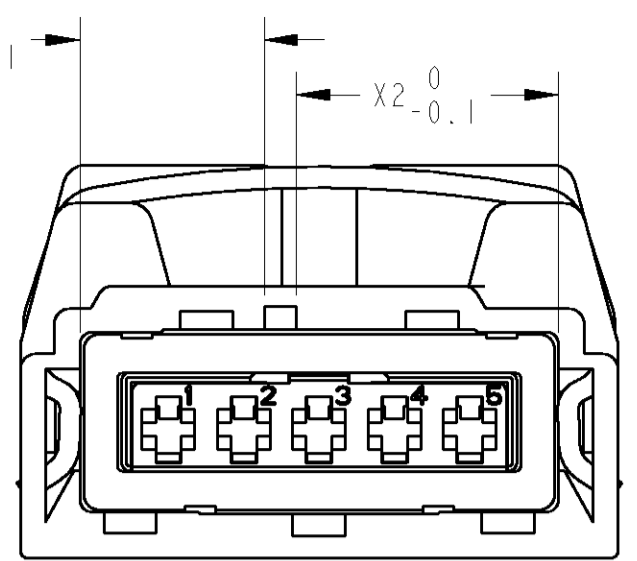
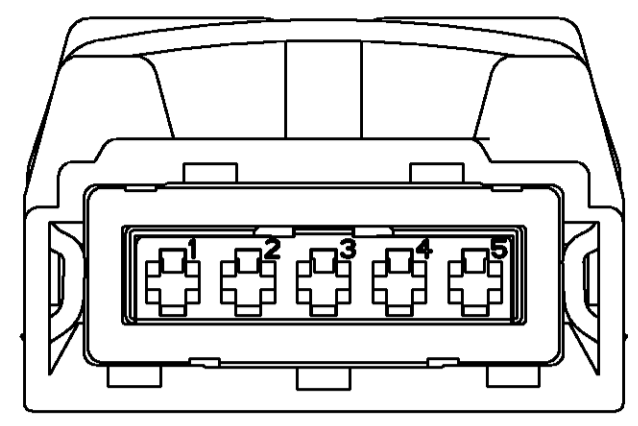


LOC	DIST	REVISIONS					
F	7	P	LYB	DESCRIPTION MODIFICATIONS	DATE	DRW BESS	APPD APP
		A		ADD NOTES AND VIEW, CHANGE FORMAT	26JAN99	OL	JL
		B		ADD KEYING DIMENSIONS	24SEP99	OL	JL
		C		SEAL COLOUR CLARIFICATION	26JUN01	XR	JL

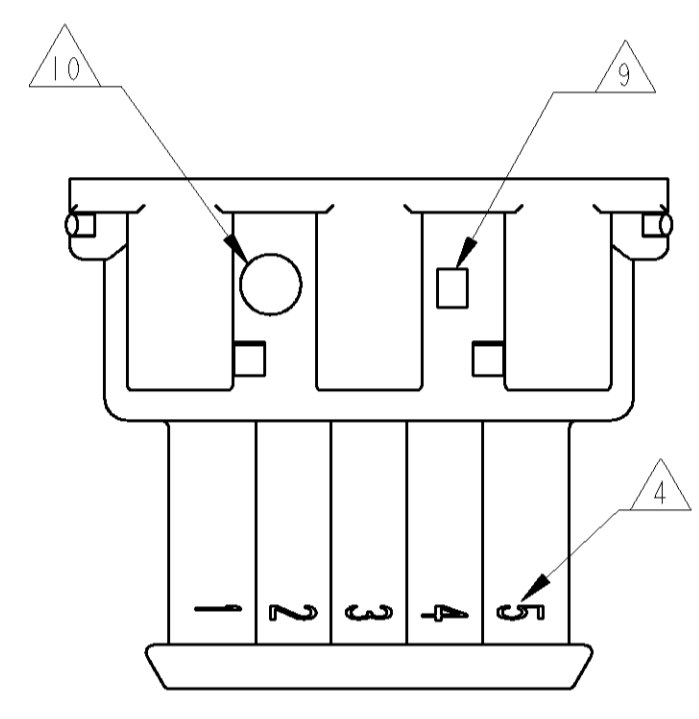
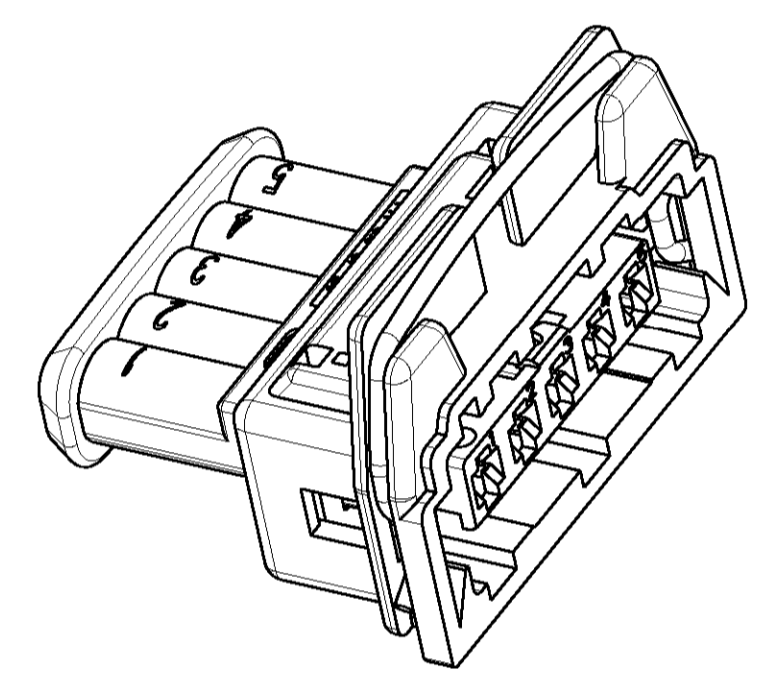


		27	17.35	13.75	15.55	11.95
X2	PAS DE DETROMPAGE NO KEYING					
X1		2.5	12.2	15.8	14	17.6
REFERENCE AMP AMP PN	953310-1	953310-2	953310-3	953310-4	953310-5	953310-6

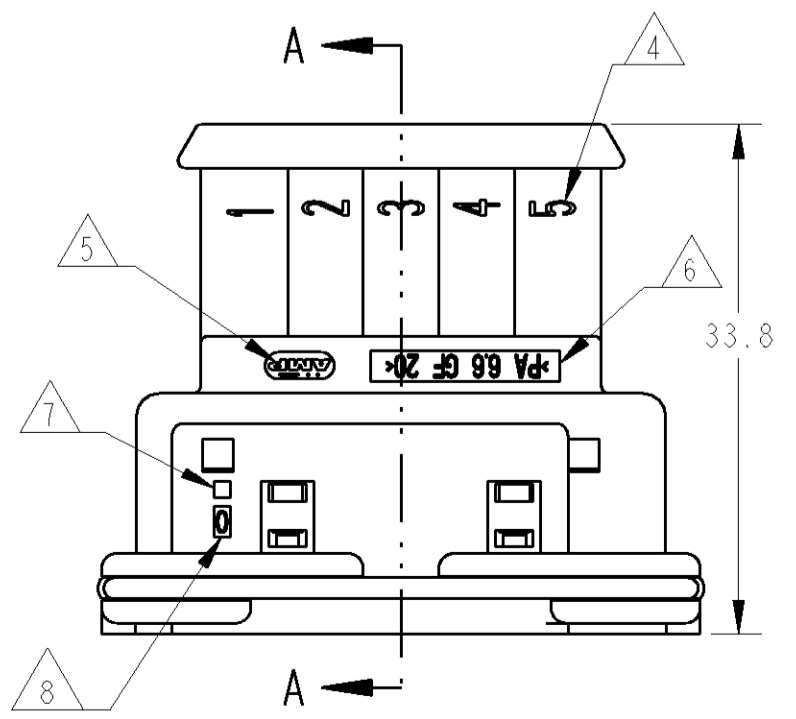
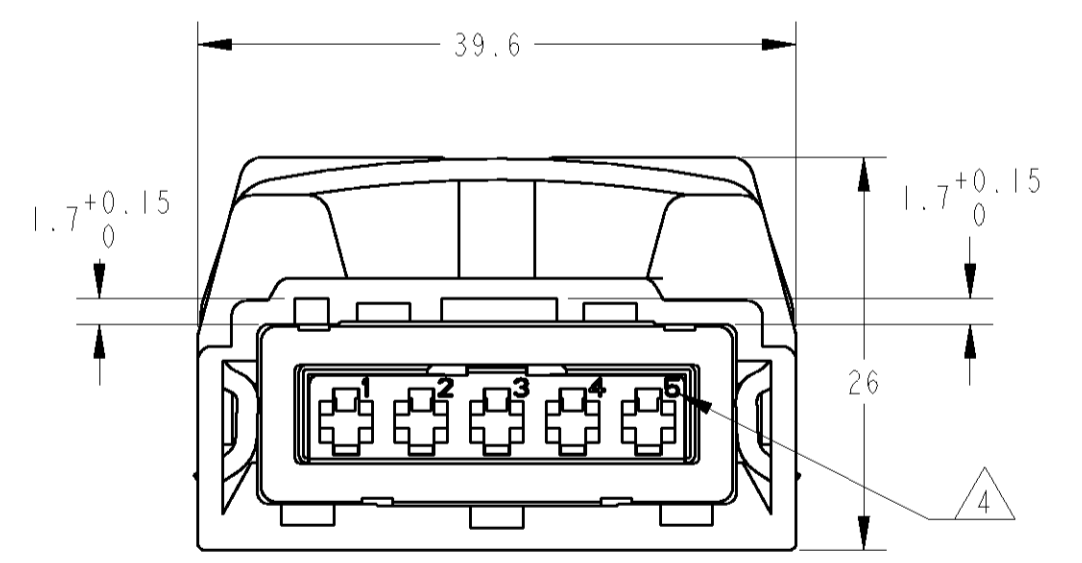
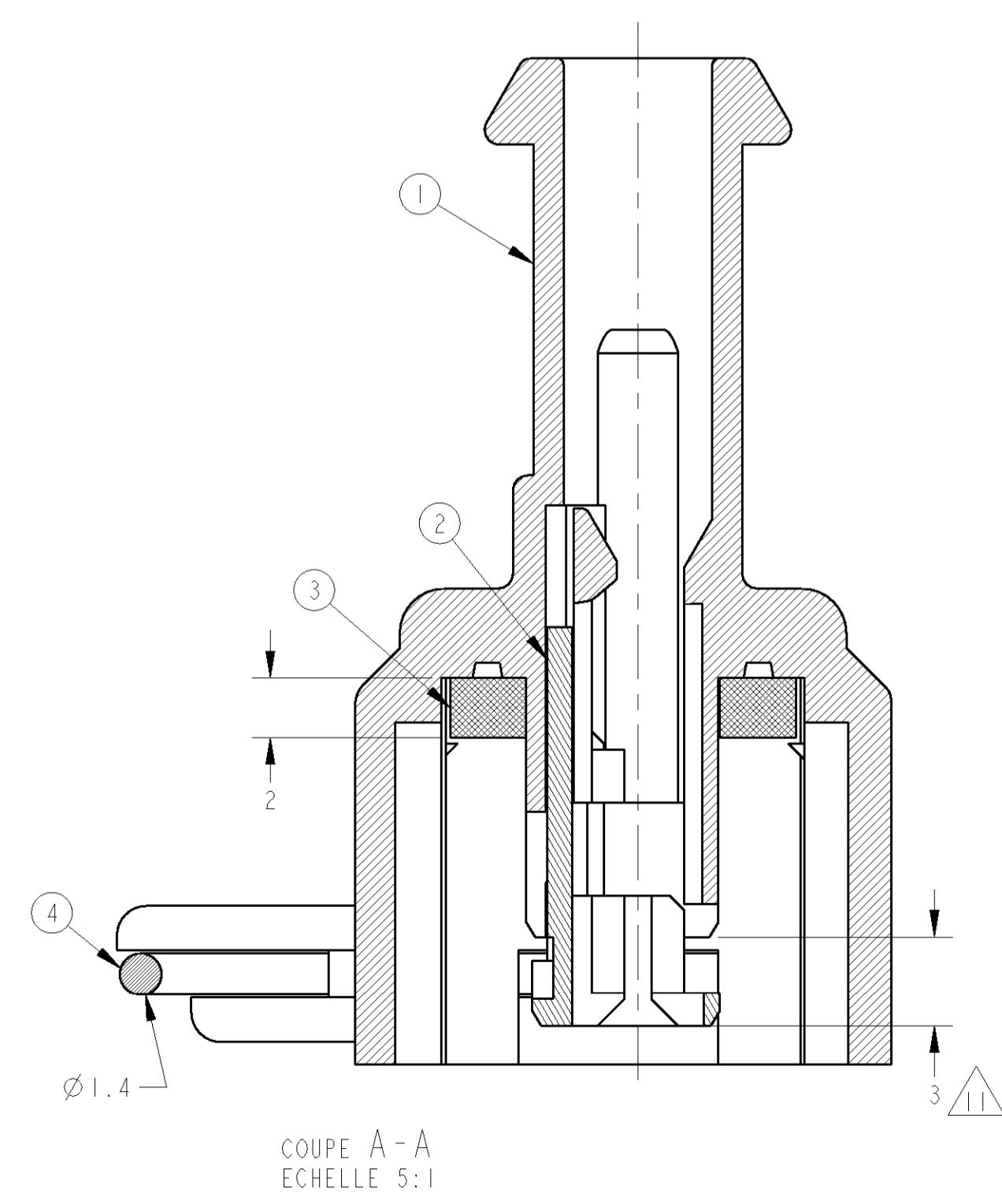
TABLE DE DETROMPAGE  
KEYING TABLE

NOTES :

- |    |   |   |
|----|---|---|
| 1  | INSTRUCTION SHEET 411-15611   | DOSSIER DE PRECONISATION, VOIR CI-CONTRE  |
| 2  | TO USE WITH :<br>- CONTACT JPT/SWS 185026-x OR 185027-x<br>- CAVITY PLUG 828906-2 | PIECE A UTILISER AVEC :<br>- CONTACT JPT A JOINT SUR FIL, VOIR CI-CONTRE<br>- BOUCHON D'ALVEOLE, VOIR CI-CONTRE |
| 3  | 953310-7 AS SHOWN   | 953310-7 REPRESENTE   |
| 4  | CAVITY IDENTIFICATION   | REPERE D'ALVEOLE  |
| 5  | AMP STAMP   | MARQUAGE LOGO AMP   |
| 6  | MATERIAL IDENTIFICATION   | MARQUAGE MATIERE  |
| 7  | MOLD IDENTIFICATION   | MARQUAGE DU MOULE   |
| 8  | MOLD REVISION NUMBER (OPTIONAL)   | INDICE DE REVISION DE MOULE (OPTION)  |
| 9  | MOLD CAVITY IDENTIFICATION NUMBER   | NUMERO D'EMPREINTE DE MOULE   |
| 10 | DATE CODE   | CODE DATE   |
| 11 | SECOND LOCKING DEVICE DISPLACEMENT  | COURSE DU VERROU  |
| 12 | INTERFACE ACCORDING TO 208-15508  | INTERFACE, VOIR CI-CONTRE   |



	BRUT PLAIN	I	INOX STEEL	RESSORT SPRING	4
X X X X X X X	NATUREL (ORANGE) NATURAL (ORANGE)	I	SILICONE SILICONE	JOINT SEAL	3
X X X X X X X	ROUGE RED	I	PA 6.6 20% FV PA 6.6 20% GF	DOUBLE VERROUILLAGE SECOND LOCKING DEVICE	2
X	VIOLET VIOLET	I	PA 6.6 20% FV PA 6.6 20% GF	BOITIER RECEPTACLE HSG	1
X	BLANC WHITE	I			
X	GRIS GREY	I			
X	BLEU BLUE	I			
X	VERT GREEN	I			
X	MARRON BROWN	I			
X	NOIR BLACK	I			
-7 -6 -5 -4 -3 -2 -1	COULEUR COLOR	QTE QTY	MATIERE MATERIAL	DESCRIPTION DESCRIPTION	REP.
	953310				



THIS DRAWING IS UNPUBLISHED. RELEASED FOR PUBLICATION DIFFUSION RESTREINTEE. AMP LIBRE A LA DIFFUSION COPYRIGHT 19 BY TICO ELECTRONICS CORPORATION. ALL RIGHTS RESERVED. TOUS DROITS RESERVES.		DWN/DESSINE O. LEMAITRE 18MAR98 CHK/VERIFIE J. LALANDE 18MAR98 APVD/APPROUVE J. SEVILL 18MAR98		NAME TITRE SW JPT/SWS RECEPTACLE HOUSING ASS'Y PORTE-CLIPS 5V JPT/SWS	
DIMENSIONS: mm		TOLERANCES: UNLESS OTHERWISE SPECIFIED: DIMENSIONS: UNLESS OTHERWISE SPECIFIED: ±0.2		PRODUCT SPEC SPEC. PRODUCT 108-15203 APPLICATION SPEC SPEC. APPLICATION -	
MATERIAL/MATIERE SEE TABLE		FINISH/FINITION -		WEIGHT MASSE APPROX. 10g CUSTOMER DRAWING /PLAN CLIENT	
AMP 4895 REV 31MAR2000 P.0/ENGINEER DRAWING		UNIFORMITY UNIFORMITE SCALE ECHELLE 2:1		SHEET FEUILLE 1 OF 1 REV C	