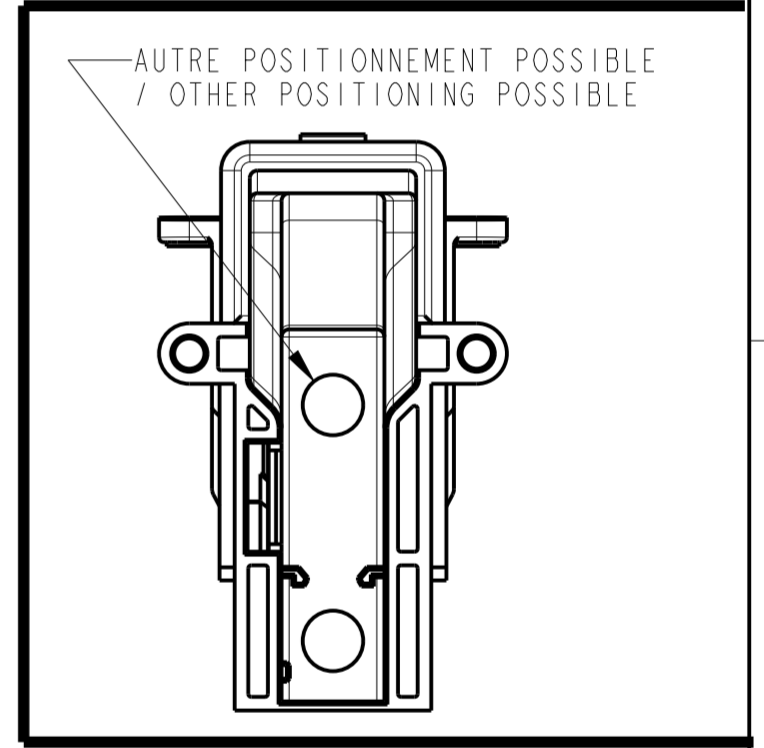
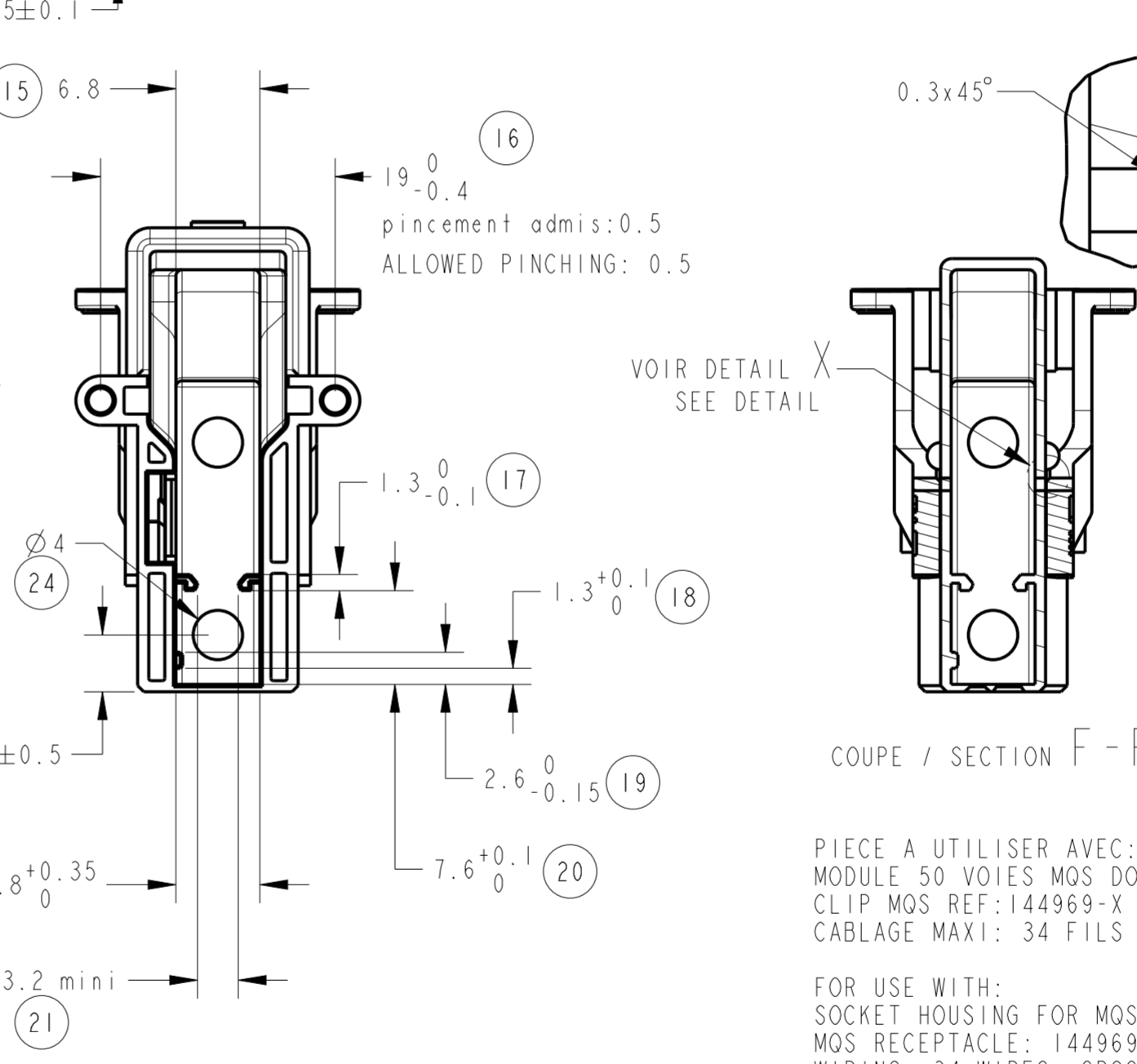
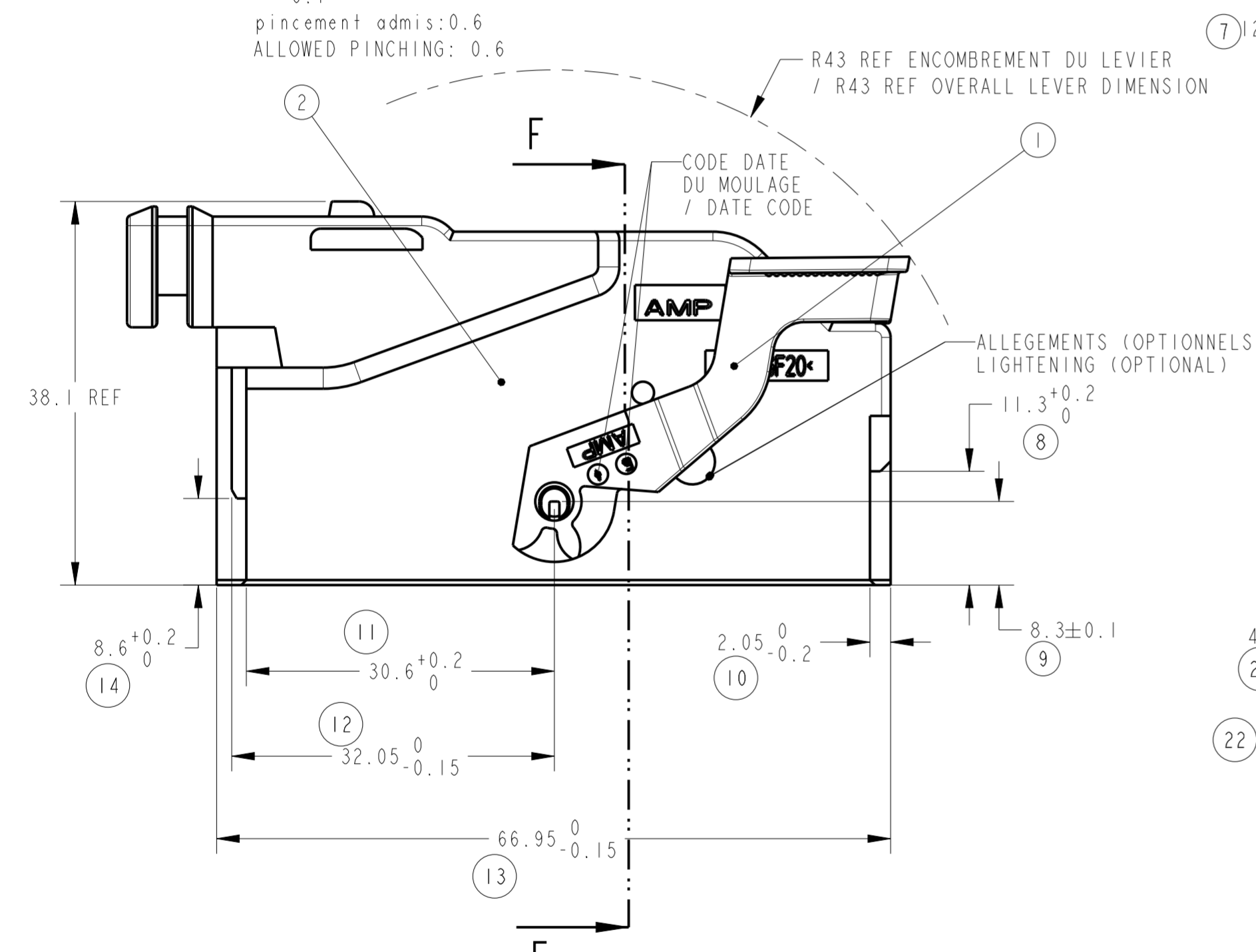
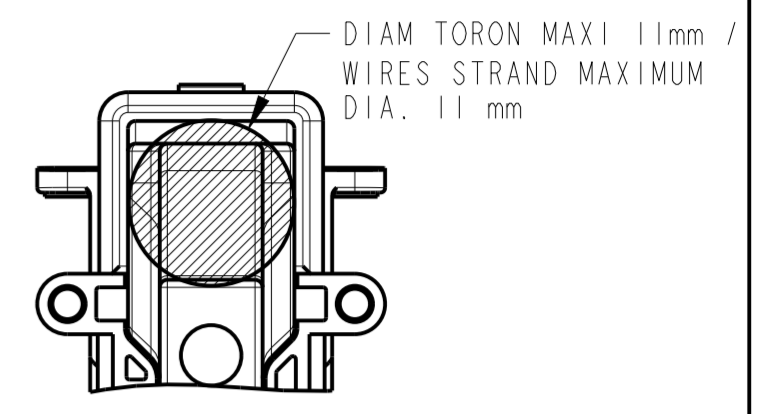
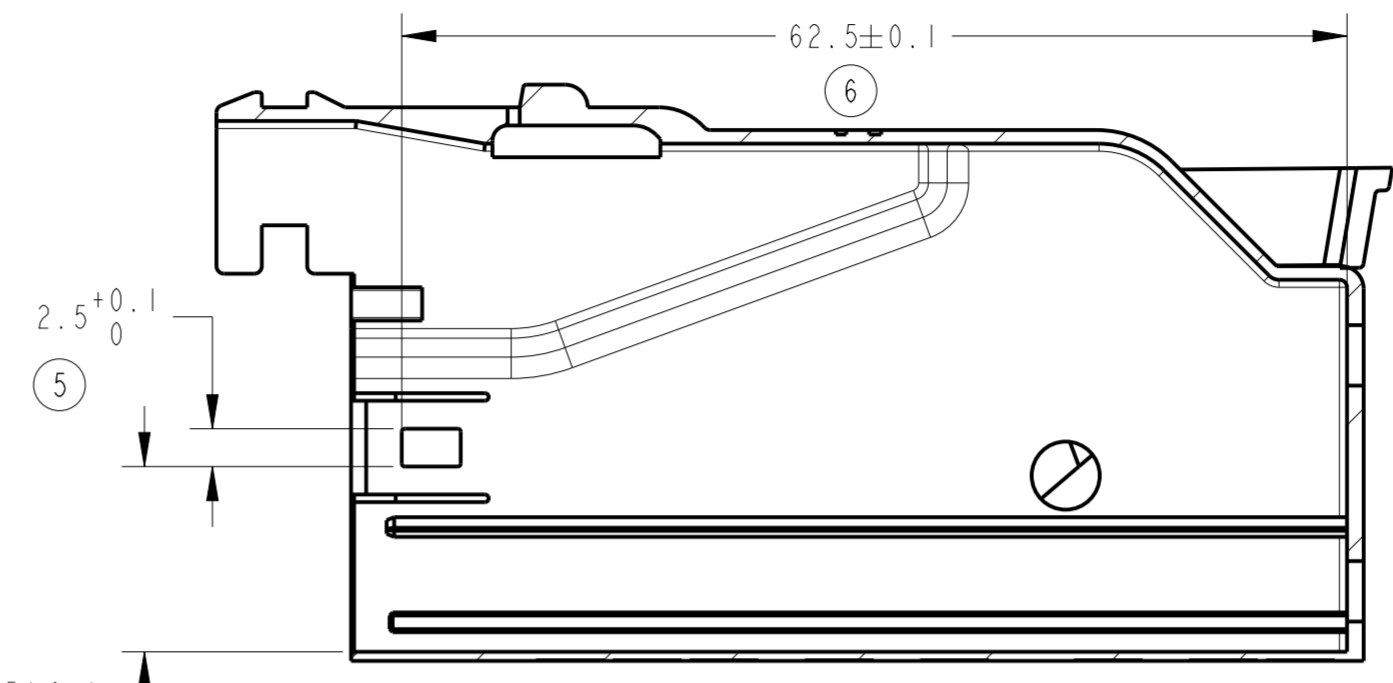
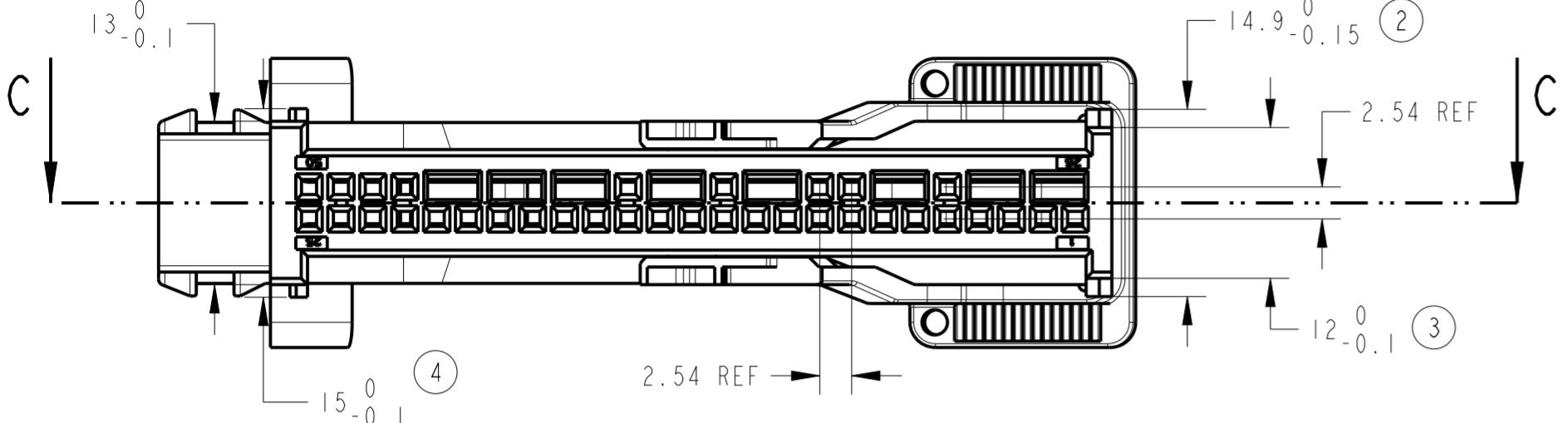
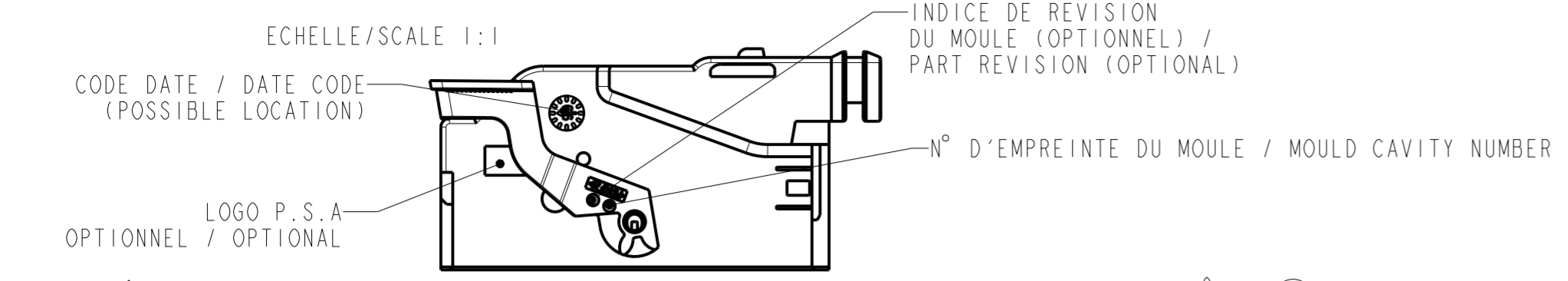


THIS DRAWING IS UNPUBLISHED.
 DIFFUSION RESTREINTE
 (C) COPYRIGHT 20 BY -
 RELEASED FOR PUBLICATION
 LIBRE A LA DIFFUSION
 20
 ALL RIGHTS RESERVED.
 TOUS DROITS RESERVES.

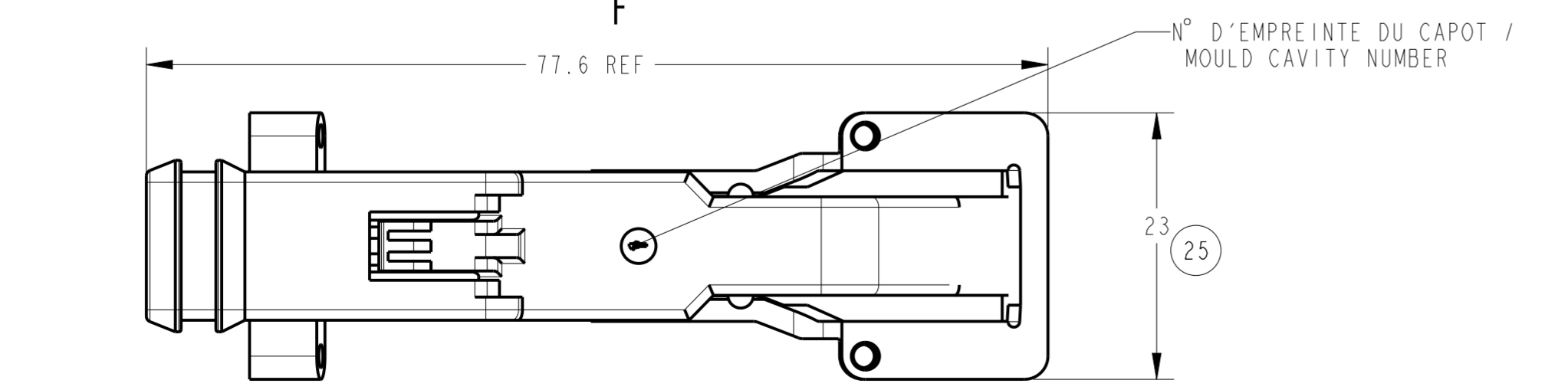
REVISIONS					
P	LTR	DESCRIPTION MODIFICATIONS	DATE	DWN DESS.	APVD APP.
	A	NEW DRAWING	18AUG2014	MN	XR



PIECE A UTILISER AVEC:
 MODULE 50 VOIES MQS DONT 8 SHUNTS STD: 953222-1
 CLIP MQS REF: 144969-X
 CABLAGE MAXI: 34 FILS SECTION 0.6mm²; DIAM ISOLANT MAXI 1.9mm

FOR USE WITH:
 SOCKET HOUSING FOR MQS 50 POS WITH 8 SHORT CIRCUIT: 953222-1
 MQS RECEPTACLE: 144969-X
 WIRING: 34 WIRES, CROSS SECTION 0.6 mm²; INSULATION MAXIMUM DIA. 1.9 mm

CAPOT / COVER	2	I	PBT20%FV	953221-1	ORANGE
LEVIER / LEVER	1	I	PBT20%FV		NOIR / BLACK
DESIGNATION / DESCRIPTION	REP. / ITEM	Q.	MATIERE / MATERIAL	REF/PN TE	COULEUR / COLOR



THIS DRAWING IS A CONTROLLED DOCUMENT.
 CE PLAN EST UN DOCUMENT CONTROLE PAR AMP INCORPORATED.
 IL EST SUSCEPTIBLE D'ETRE REVISE. CONTACTER LE SERVICE TECHNIQUE D'AMP DE FRANCE POUR OBTENIR LA DERNIERE REVISION.

DIMENSIONS: mm

TOLERANCES UNLESS OTHERWISE SPECIFIED:
 TOLERANCES NON SPECIFIEES (SUIV NB DE DECIMALES)
 0 PLC/DEC: ±
 1 PLC/DEC: ±
 2 PLC/DEC: ±0.2
 3 PLC/DEC: ±
 4 PLC/DEC: ±
 ANGLES: ±5°
 FINISH/FINITION: -

MATERIAL/MATIERE: SEE TABLE VOIR TABLEAU

DWN/DESSINE: 18AUG2014 MADHUSUDHAN N
 CHK/VERIFIE: 18AUG2014 F. CHATELUS
 APVD/APPROUVE: 18AUG2014 X. ROULLIARD

NAME/TITRE: CONNECTEUR 50 VOIES MQS STANDARD DONT 8 SHUNTS MQS 50 POS SHIELD + LEVER WITH 8 SHORT CIRCUIT

SIZE/FORMAT: A2
 CAGE CODE: -
 DRAWING NO: No PLAN C-953221

RESTRICTED TO RESERVE A

CUSTOMER DRAWING /PLAN CLIENT UNIQUEMENT POUR REFERENCE
 SCALE/ECHELLE: 2:1
 SHEET/FEUILLE: OF DE I
 REV: A