

4

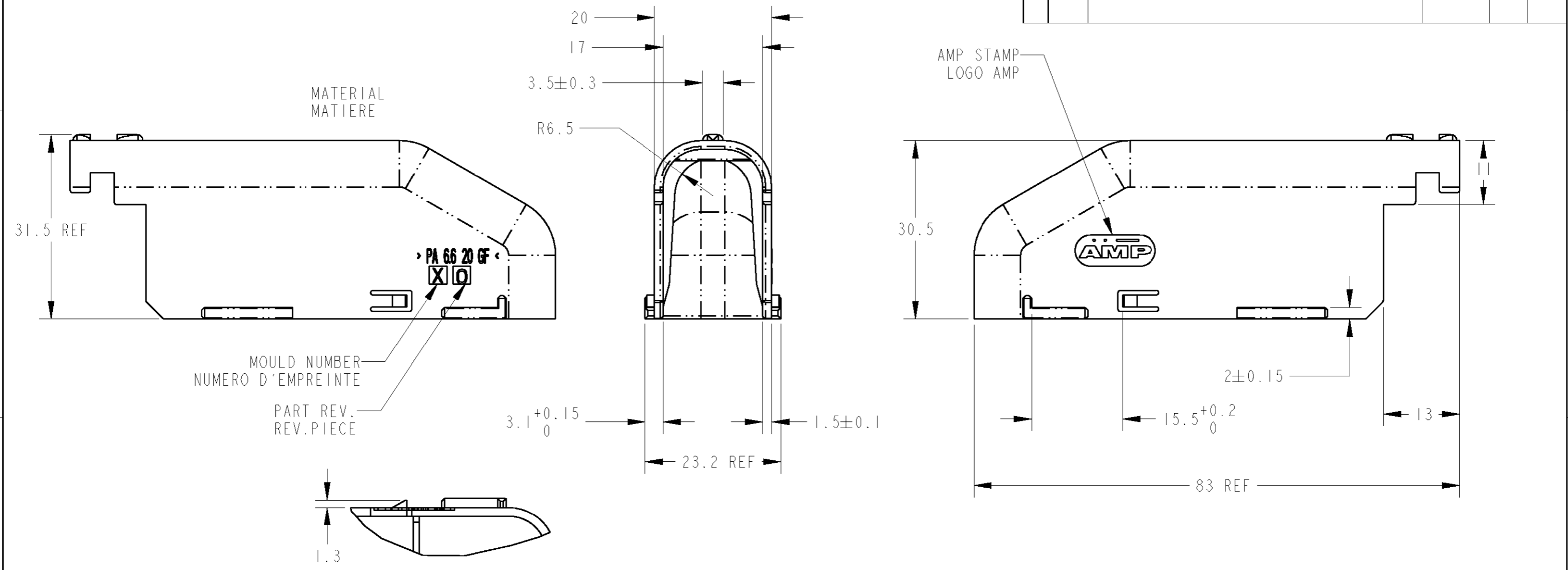
3

2

1

THIS DRAWING IS UNPUBLISHED. RELEASED FOR PUBLICATION .19  
 © COPYRIGHT 1997 BY AMP INCORPORATED. ALL RIGHTS RESERVED.

LOC	DIST	REVISIONS					
		P	LTR	DESCRIPTION	DATE	DWN	APVD
F	7		A	PA66 20% FV WAS PA66 25% FV	18SEP 98	RB	-
			B	INCREASE OF LOCKING LATCH HEIGHT 1.3	05JUN2000	DB	JJR



				I	BLACK	PA66 20% GF	HORIZ. COVER
COMPONENT QTY					COLOR	MATERIAL	DESIGNATION
953039-X					MAX. ADMISSIBLE STRAND		
-5	-4	-3	-2	-1	Ø 16 mm		

				I	NOIR	PA66 20% FV	CAPOT HORIZ
QTE COMPOSANT					COULEUR	MATIERE	DESIGNATION
953039-X					TORON MAXI ADMISSIBLE		
-5	-4	-3	-2	-1	Ø 16 mm		

<small>THIS DRAWING IS A CONTROLLED DOCUMENT FOR AMP INCORPORATED. IT IS SUBJECT TO CHANGE AND THE CONTROLLING ENGINEERING ORGANIZATION SHOULD BE CONTACTED FOR THE LATEST REVISION.</small>		DWN REGIS BONNET MAY 97 CHK JP. PICAUD 05JUN00 APVD JJ. REVII 05JUN00	<b>AMP</b> AMP DE FRANCE 95301 PONTOISE
DIMENSIONS: mm 	TOLERANCES UNLESS OTHERWISE SPECIFIED: ±- ±0.13 ± ANGLES ±1° FINISH	PRODUCT SPEC 108-15172 APPLICATION SPEC 411-15599 WEIGHT 8g	NAME HORIZONTAL COVER FOR 31 WAYS HYBRID TIMER CONNECTOR CAPOT HORIZONTAL POUR CONNECTIQUE 31 V TIMER HYBRIDE
MATERIAL SEE TABLE	FINISH SEE TABLE	CUSTOMER DRAWING	SIZE A3 CAGE CODE 00779 DRAWING NO C-953039 RESTRICTED TO - SCALE 3:2 SHEET 1 OF 1 REV B