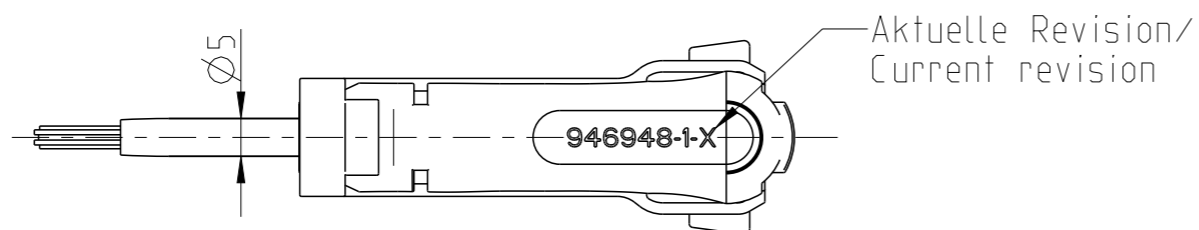
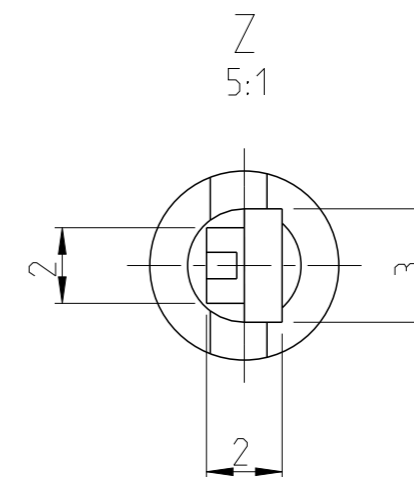
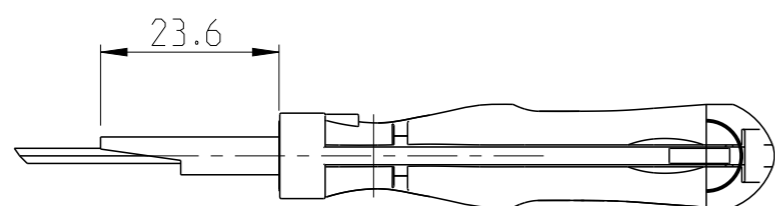
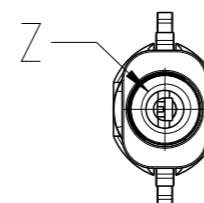
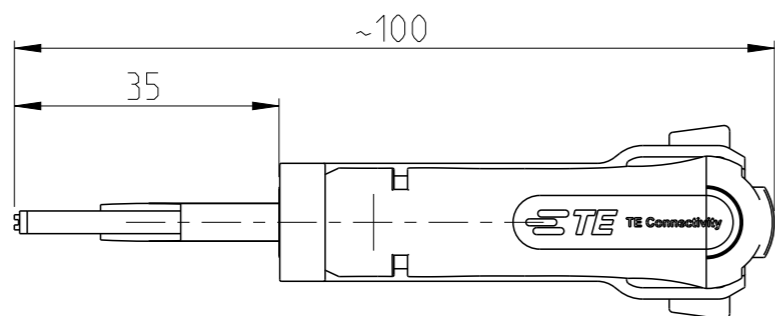


REVISIONS

P	LTR	DESCRIPTION	DATE	DWN	APVD
	F	Initial release	12SEP2014	RG	RG



Anwendungsbereich / Application range

For MIC IV Contact: P/N 144180, 144181, 142753

THIS DRAWING IS A CONTROLLED DOCUMENT.		DWN R. Germann 12SEP2014					
DIMENSIONS: mm		CHK R. Germann 12SEP2014					
TOLERANCES UNLESS OTHERWISE SPECIFIED:		APVD -	NAME EXTRACTION TOOL Entriegelungswerkzeug				
		PRODUCT SPEC -	APPLICATION SPEC -				
MATERIAL -		FINISH -	WEIGHT 17g	SIZE A3	CAGE CODE -	DRAWING NO 946948-1	RESTRICTED TO -
-		Customer Drawing	SCALE 1:1	SHEET 1 OF 1	REV F		