

4

3

2

1

THIS DRAWING IS UNPUBLISHED.

RELEASED FOR PUBLICATION

© COPYRIGHT

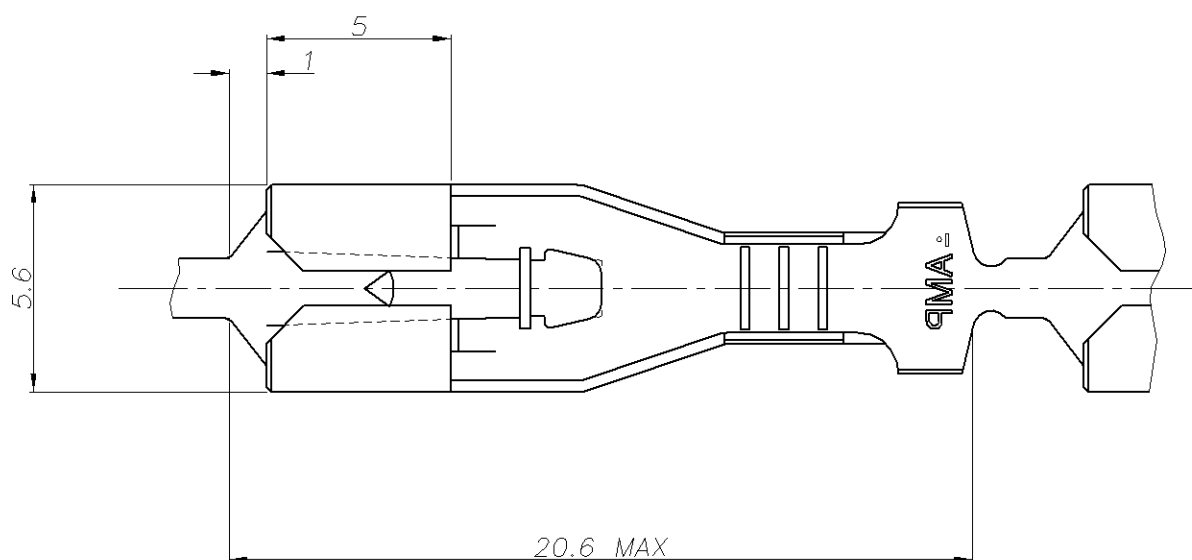
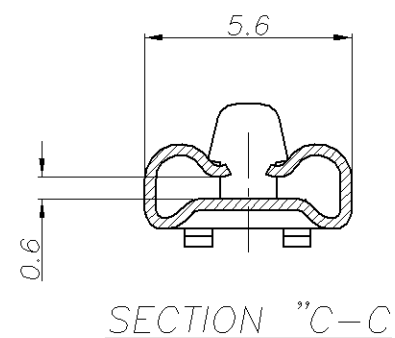
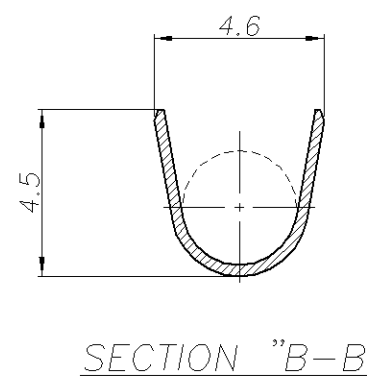
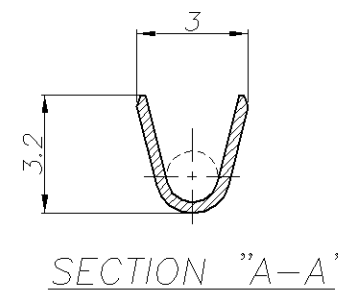
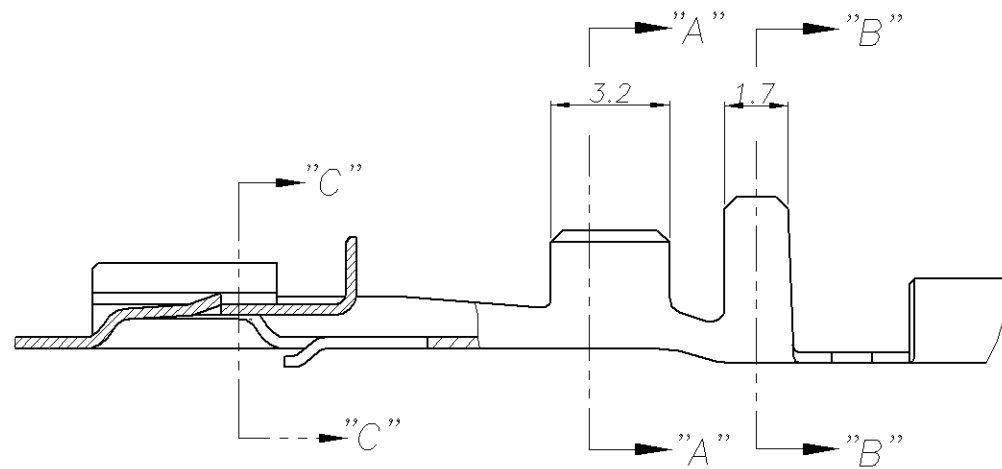
BY TYCO ELECTRONICS CORPORATION. ALL RIGHTS RESERVED.

LOC DS

DIST

REVISIONS

P	LTR	DESCRIPTION	DATE	DWN	APVD
0		RELEASED (FC00-0051-04)	MAR/24/'04	BH	CS
A		REVISED (FC00-0093-04)	MAY/27/'04	BH	CS
A1		REVISED (ECR-07-026959)	NOV/09/'07	BH	JK



PRE-TIN BRASS	936663-1
MATERIAL	PART NUMBER

THIS DRAWING IS A CONTROLLED DOCUMENT FOR TYCO ELECTRONICS CORPORATION. IT IS SUBJECT TO CHANGE AND THE CONTROLLING ENGINEERING ORGANIZATION SHOULD BE CONTACTED FOR THE LATEST REVISION.		DWN: BH CHD		AMP KOREA, kyungsan, korea	
DIMENSIONS: MM		CHK: BW KANG			
TOLERANCES UNLESS OTHERWISE SPECIFIED:		APVD: JK SONG		NAME	
± 0.3		PRODUCT SPEC		187 SERIES POSITIVE LOCK (MARK II) RECP. FOR 0.8T TAB	
± 3°		APPLICATION SPEC		SIZE	
3rd ANGLE PROJECTION		WEIGHT		CAGE CODE	
MATERIAL		FINISH		DRAWING NO	
SEE TABLE		RESTRICTED TO		A3 00779C- 936663	
		SCALE		SHEET	
		5/1		1 OF 1	
				REV A1	