

4

3

2

1

THIS DRAWING IS UNPUBLISHED.

RELEASED FOR PUBLICATION

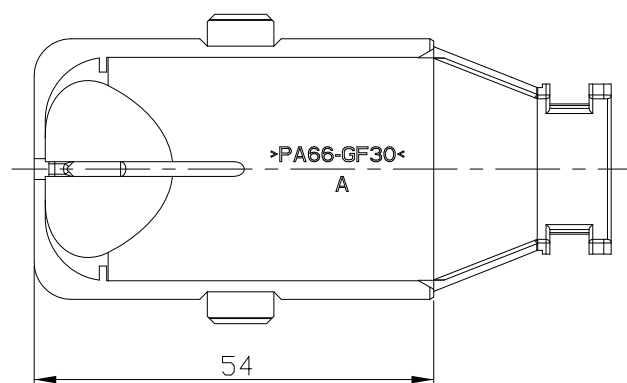
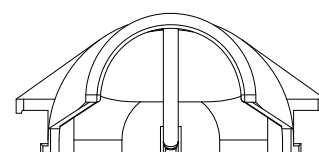
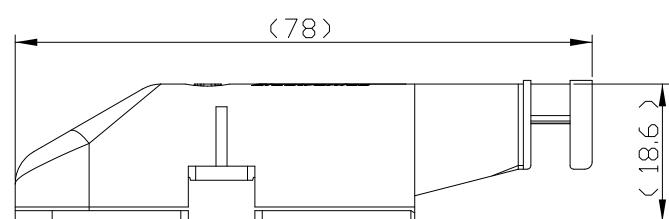
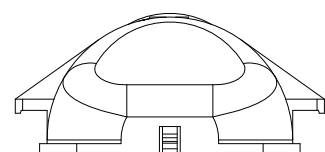
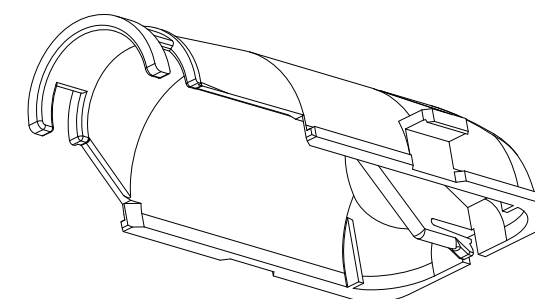
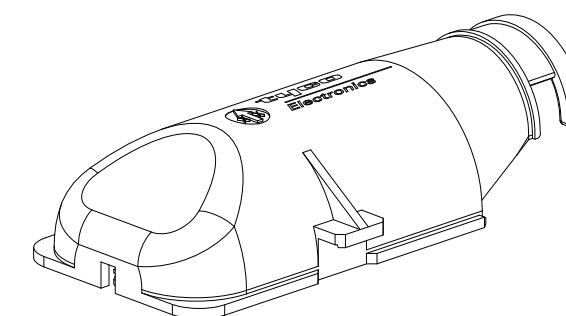
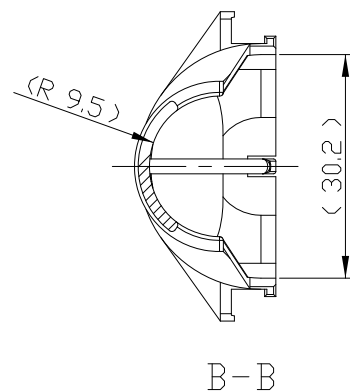
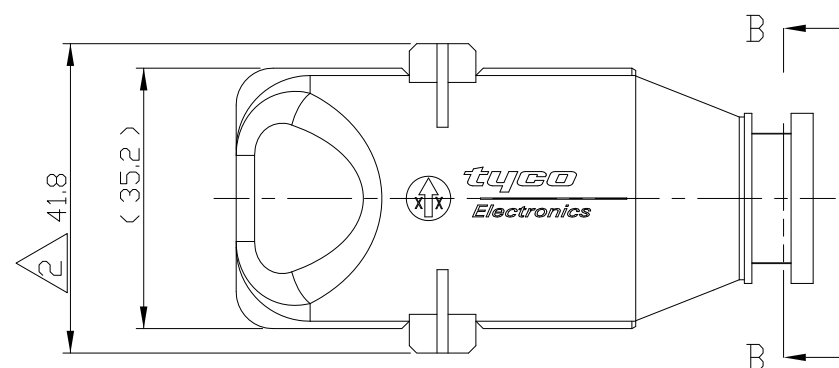
© COPYRIGHT

ALL RIGHTS RESERVED.

LOC DS

REVISIONS

P	LTR	DESCRIPTION	DATE	DWN	APVD
	A	REVISED (FC00-0302-04)	25.NOV.'04	YH	HG
	A1	REVISED (ECR-07-004625)	28.FEB.'07	YH	HG
	B	REVISED (ECR-14-013477)	10.SEP.'14	YH	HG



NOTE.  
 1.APPLIED TO ASS'Y P/N:1897302, 1897357  
 2.ALLOWED WARPAGE 2 MAX  
 3.APPLICATION TEST SPEC:MS210-06-C(EXCEPT 4.4)

BLACK	PA66-GF15	936662-2
COLOR	MATERIAL	P/N

THIS DRAWING IS A CONTROLLED DOCUMENT.		DWN YH MA			
DIMENSIONS: MM		CHK KT LIM			
TOLERANCES UNLESS OTHERWISE SPECIFIED:		APVD HG CHD		NAME	
0 PLC ± 1 PLC ± 2 PLC ± 3 PLC ± 4 PLC ± ANGLES ±		PRODUCT SPEC		COVER HSG FOR SHIELD 60P.	
3rd ANGLE PROJECTION		APPLICATION SPEC		SIZE A3	
MATERIAL SEE NOTE		WEIGHT		CAGE CODE	
FINISH		CUSTOMER DRAWING		DRAWING NO. 936662	
		SCALE 1:1		RESTRICTED TO	
		SHEET 1 OF 2		REV B	

4

3

2

1

THIS DRAWING IS UNPUBLISHED.

RELEASED FOR PUBLICATION

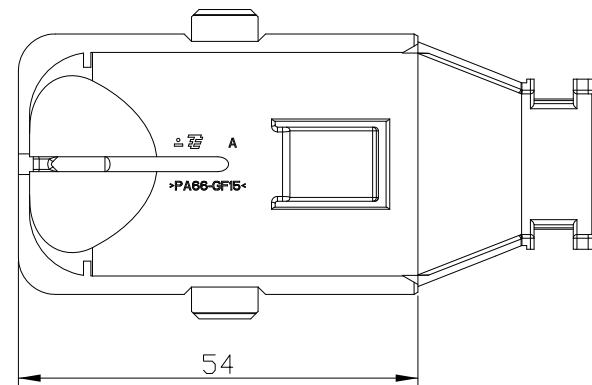
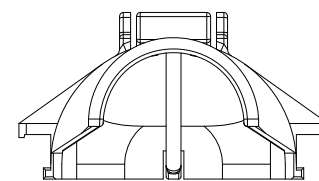
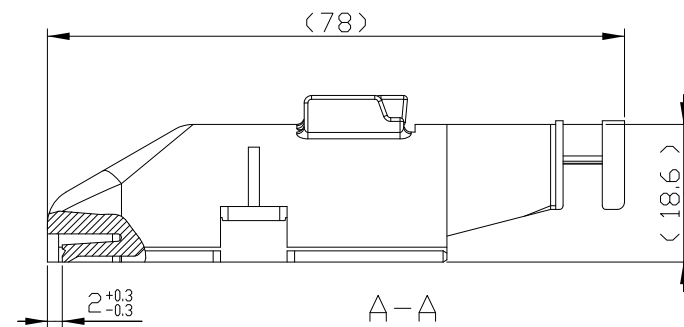
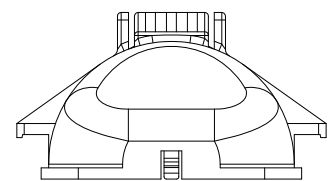
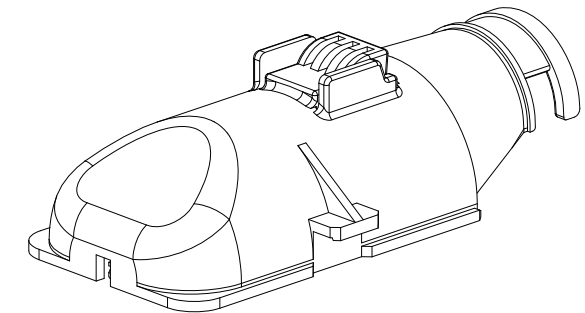
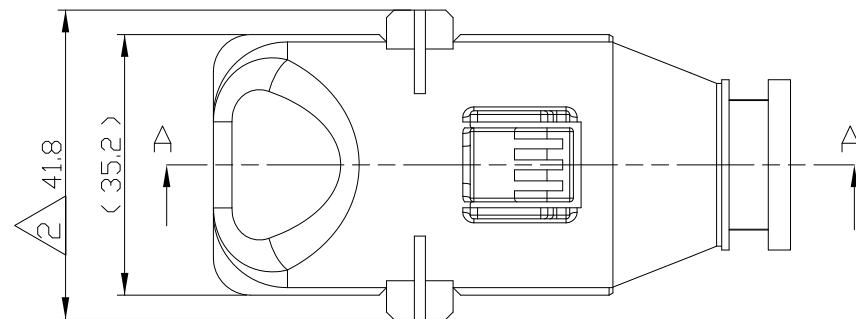
© COPYRIGHT

ALL RIGHTS RESERVED.

LOC	DIST
DS	

REVISIONS

P	LTR	DESCRIPTION	DATE	DWN	APVD
		SEE SHEET 1			



NOTE  
 1.GENERAL TOLERANCE: ±0.5, ±3°  
 2.WARPAGE PERMITTED MAX. -3mm  
 3.MATING CONN'R ASSY P/N:1897302, 1897357  
 4. MATING LEVER HSG P/N : 1743543  
 5.APPLICATION TEST SPEC:  
 MS210-12[EXT-2](EXCEPT 4.4)

BLACK	PA66-GF15	1-936662-2
COLOR	MATERIAL	P/N

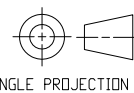
THIS DRAWING IS A CONTROLLED DOCUMENT.

DWN YH MA

CHK KT LIM

DIMENSIONS:  
MM

TOLERANCES UNLESS  
OTHERWISE SPECIFIED:



3rd ANGLE PROJECTION  
MATERIAL  
SEE NOTE

- 0 PLC ±
- 1 PLC ±
- 2 PLC ±
- 3 PLC ±
- 4 PLC ±
- ANGLES ±
- FINISH ±

APVD HG CHD

PRODUCT SPEC

APPLICATION SPEC

WEIGHT

CUSTOMER DRAWING



TE Connectivity

NAME

COVER HSG FOR SHIELD 60P.

SIZE

A3

CAGE CODE

DRAWING NO

936662

RESTRICTED TO

SCALE 1:1

SHEET 2 OF 2

REV B