

4

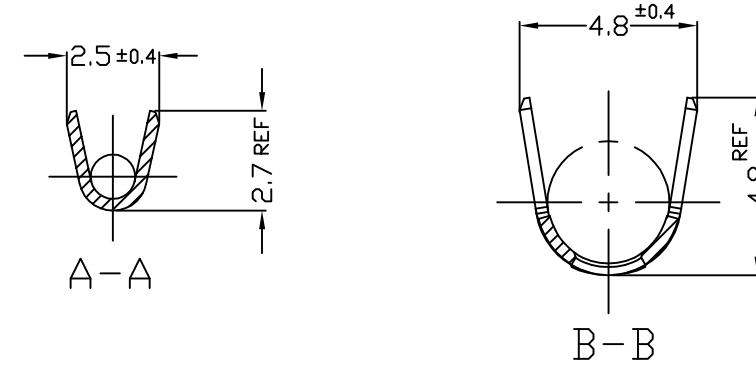
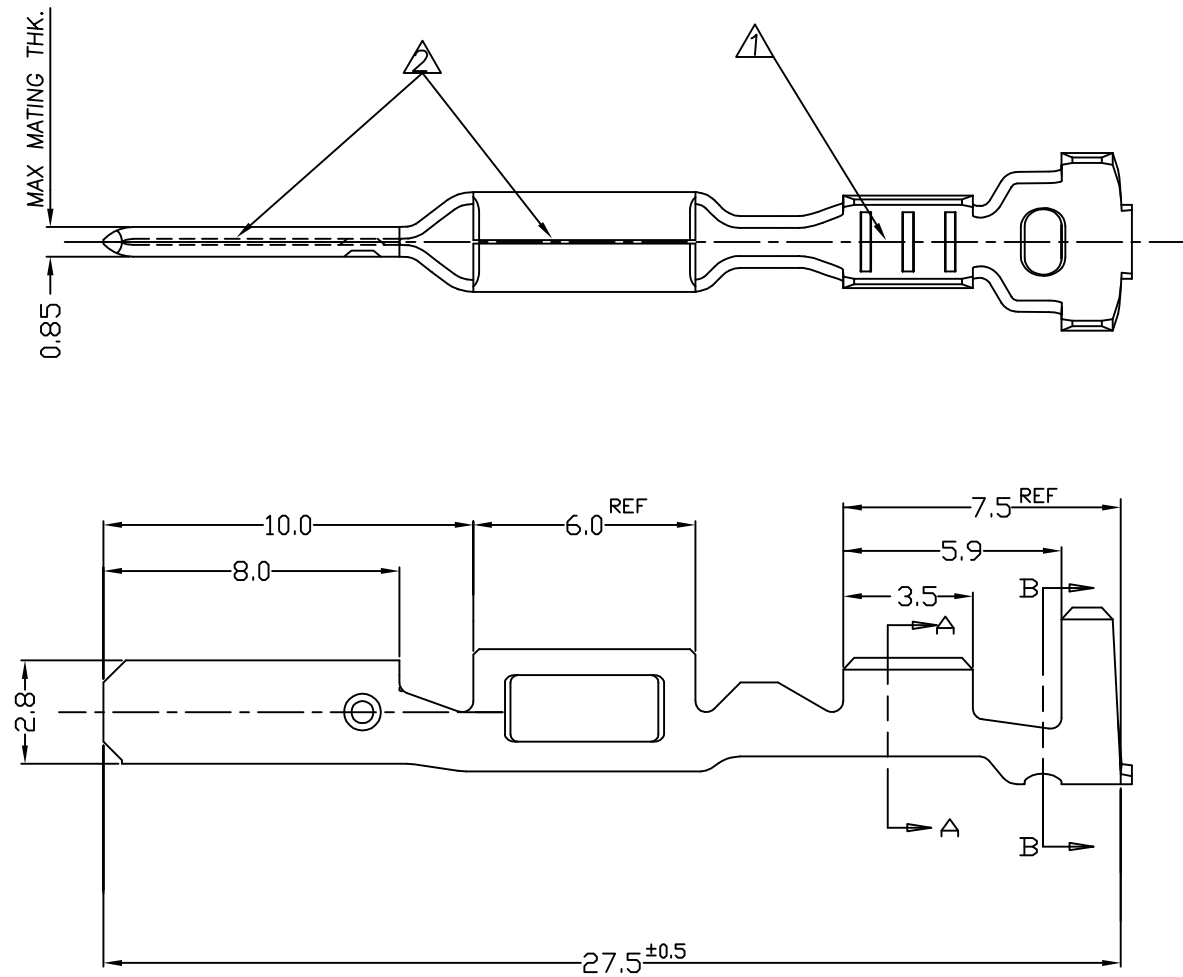
3

2

1

THIS DRAWING IS UNPUBLISHED. RELEASED FOR PUBLICATION
COPYRIGHT BY TYCO ELECTRONICS CORPORATION, ALL RIGHTS RESERVED.

LOC	DIST	REVISIONS					
		P	LTR	DESCRIPTION	DATE	DWN	APVD
DS	-		A	REVISED (ECR-11-005815)	22.MAR.'11	KT	HG




NOTE;

- ▲ THREE SERRATIONS CENTERED IN WIRE BARREL.
- ▲ 0.16 MAX GAP PERMISSIBLE
- 3 WIRE SIZE EQUIV 0.5 ~ 0.85 SQ.
- APPLICATION SPEC: 114-61033

THIS DRAWING IS A CONTROLLED DOCUMENT FOR TYCO ELECTRONICS CORPORATION
IT IS SUBJECT TO CHANGE AND THE CONTROLLING ENGINEERING ORGANIZATION
SHOULD BE CONTACTED FOR THE LATEST REVISION.

DIMENSIONS: MM	TOLERANCES UNLESS OTHERWISE SPECIFIED: 0 <XX<10 ± 0.25 10<XX<30 ± 0.3 ANGLES ± 3°
MATERIAL SEE TABLE	FINISH SEE TABLE

PRE-TINNED	BRASS 0.32THK.	936613-1
FINISH	MATERIAL	PART NO
DWN KT JUNG CHK KT LIM	 TE Connectivity	
APVD HG CHD		
PRODUCT SPEC -	NAME 2.8mm MCP-E SEALED TAB CONTACT	
APPLICATION SPEC 114-61033	SIZE A3	CAGE CODE 00779
WEIGHT -	DRAWING NO C-936613	RESTRICTED TO -
CUSTOMER DRAWING		SCALE 5/1 SHEET 1 OF 1 REV A